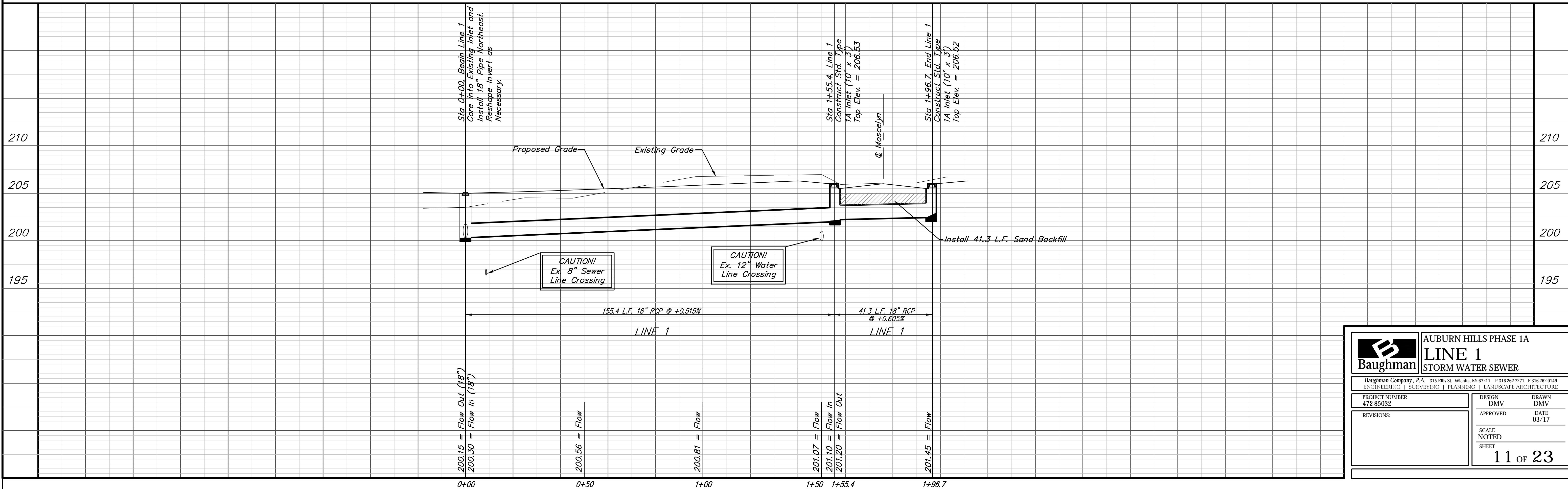
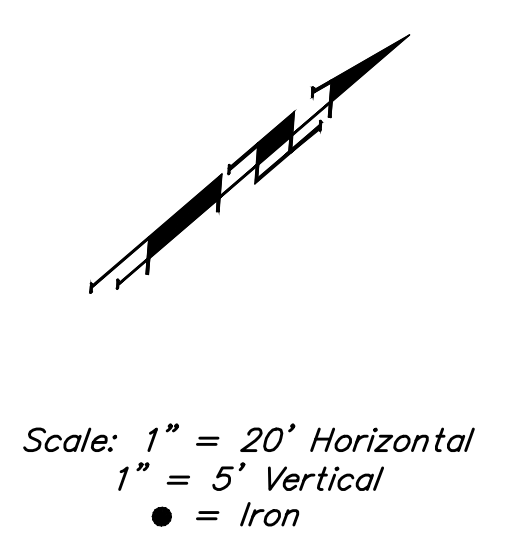
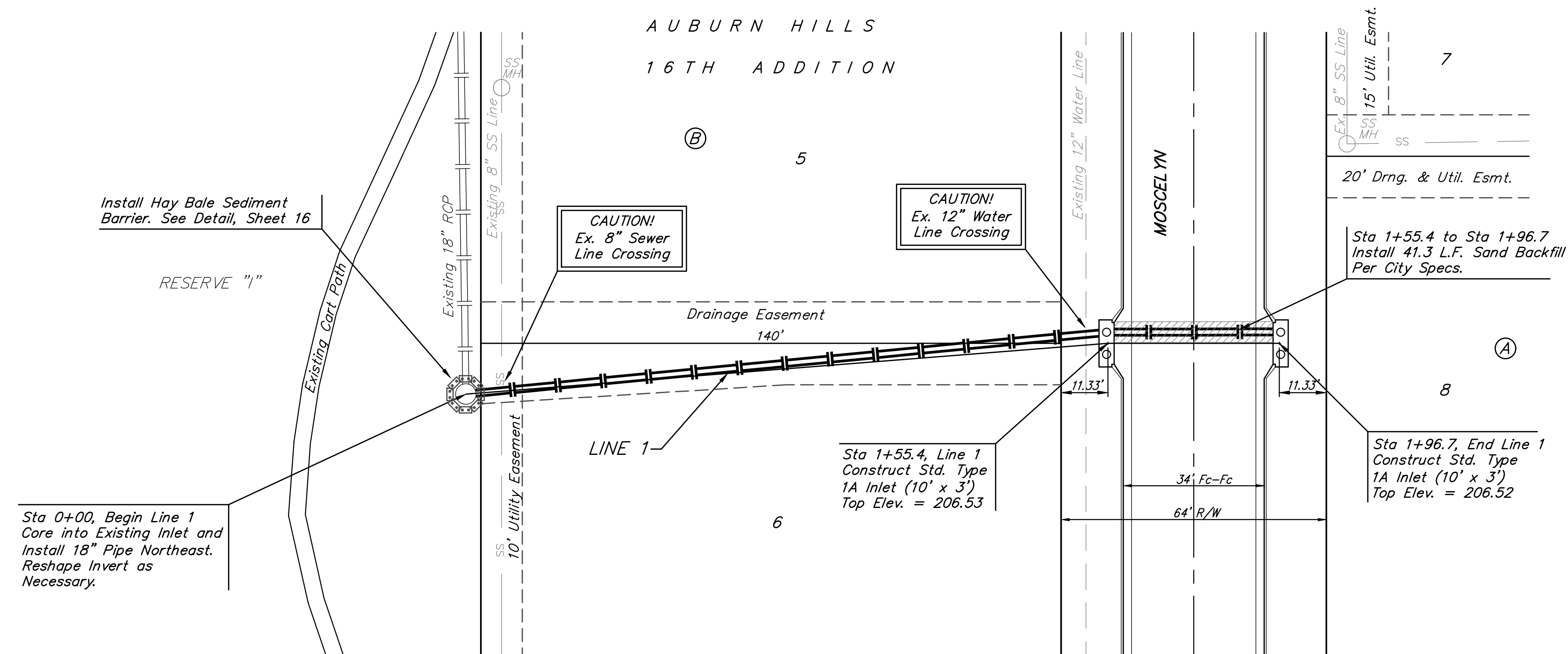


**Benchmarks:**

"□" Cut on Top of Curb at West Line of Lot 7, Block A, Auburn Hills 5th Addition.  
Elevation = 207.73 (City Datum)

Disc in Back of Curb, North of Front Corner Common to Lots 23 and 24, Block D, Auburn Hills 12th Addition.  
Elevation = 191.84 (City Datum)

"□" Cut on Center of Catch Basin North of Lot Corner Common to Lots 1 and 15, Block B, Auburn Hills 14th Addition.  
Elevation = 193.65 (City Datum)



|  |                                    |  |
|--|------------------------------------|--|
|  | AUBURN HILLS PHASE 1A              |  |
|  | <b>LINE 1</b><br>STORM WATER SEWER |  |
| <small>Baughman Company, P.A. 315 Ellis St. Wichita, KS 67211 P 3162627271 F 3162620149<br/>         ENGINEERING   SURVEYING   PLANNING   LANDSCAPE ARCHITECTURE</small> |                                    |  |
| PROJECT NUMBER<br>472-85032  | DESIGN<br>DMV                      | DRAWN<br>DMV                               |
| REVISIONS:   | APPROVED<br>DATE<br>03/17          | SCALE<br>NOTED<br>SHEET<br><b>11 OF 23</b> |