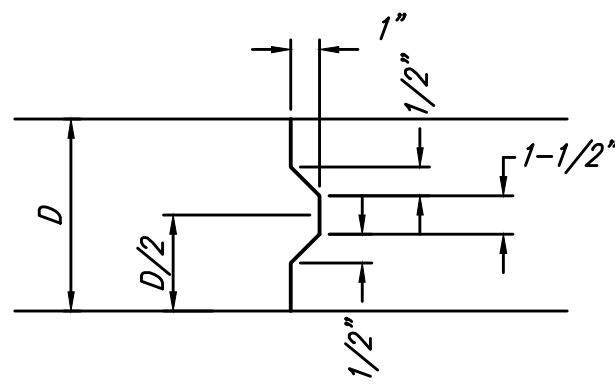
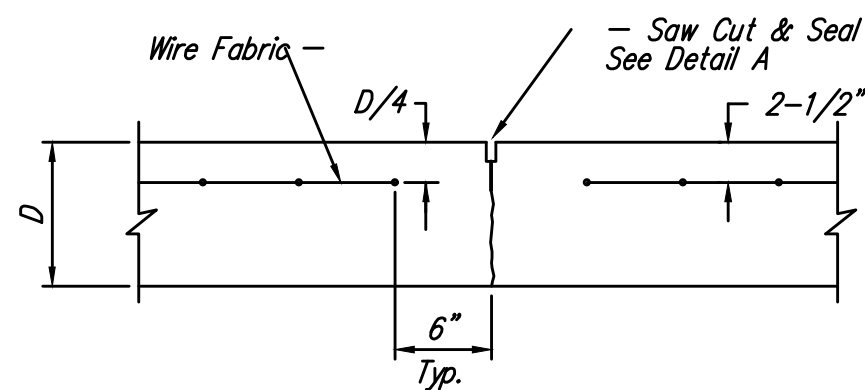


EXPANSION JOINT (E.J.)

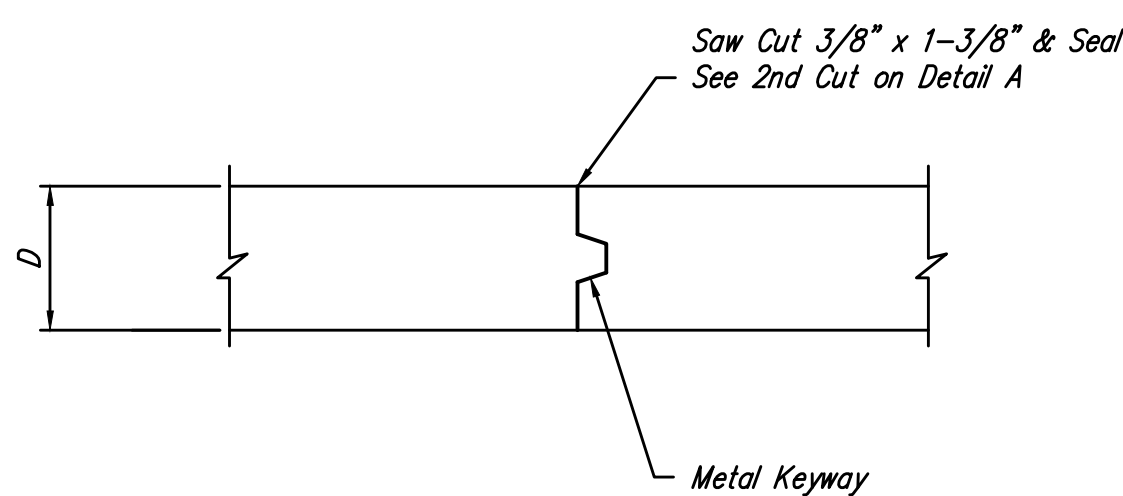
NOTE: Extra Thickness to be Subsidiary to Price of Square Yards Pavement



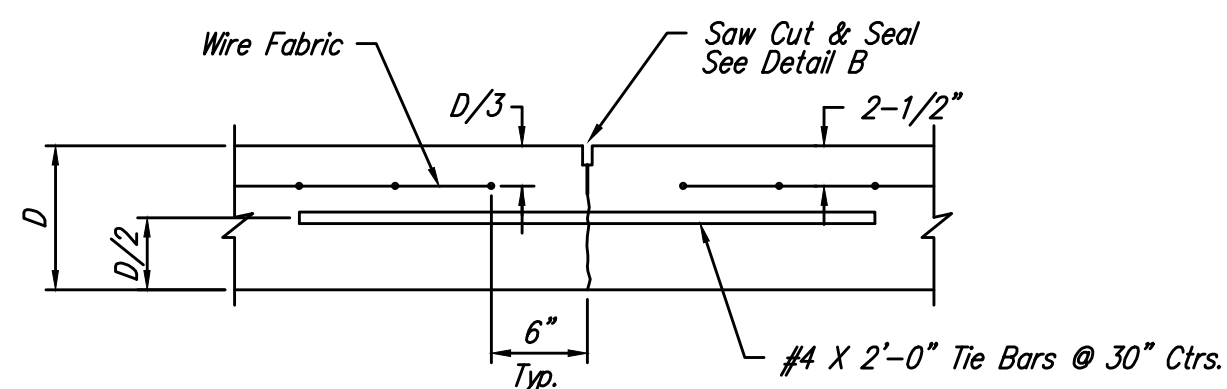
KEYWAY DETAIL



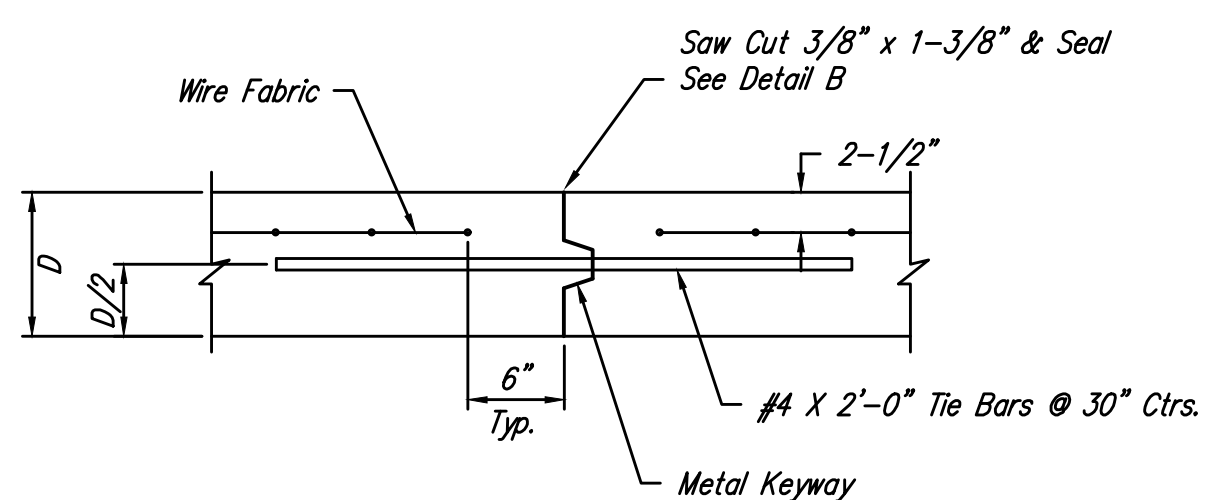
CONTRACTION JOINT DETAIL (C.J.)



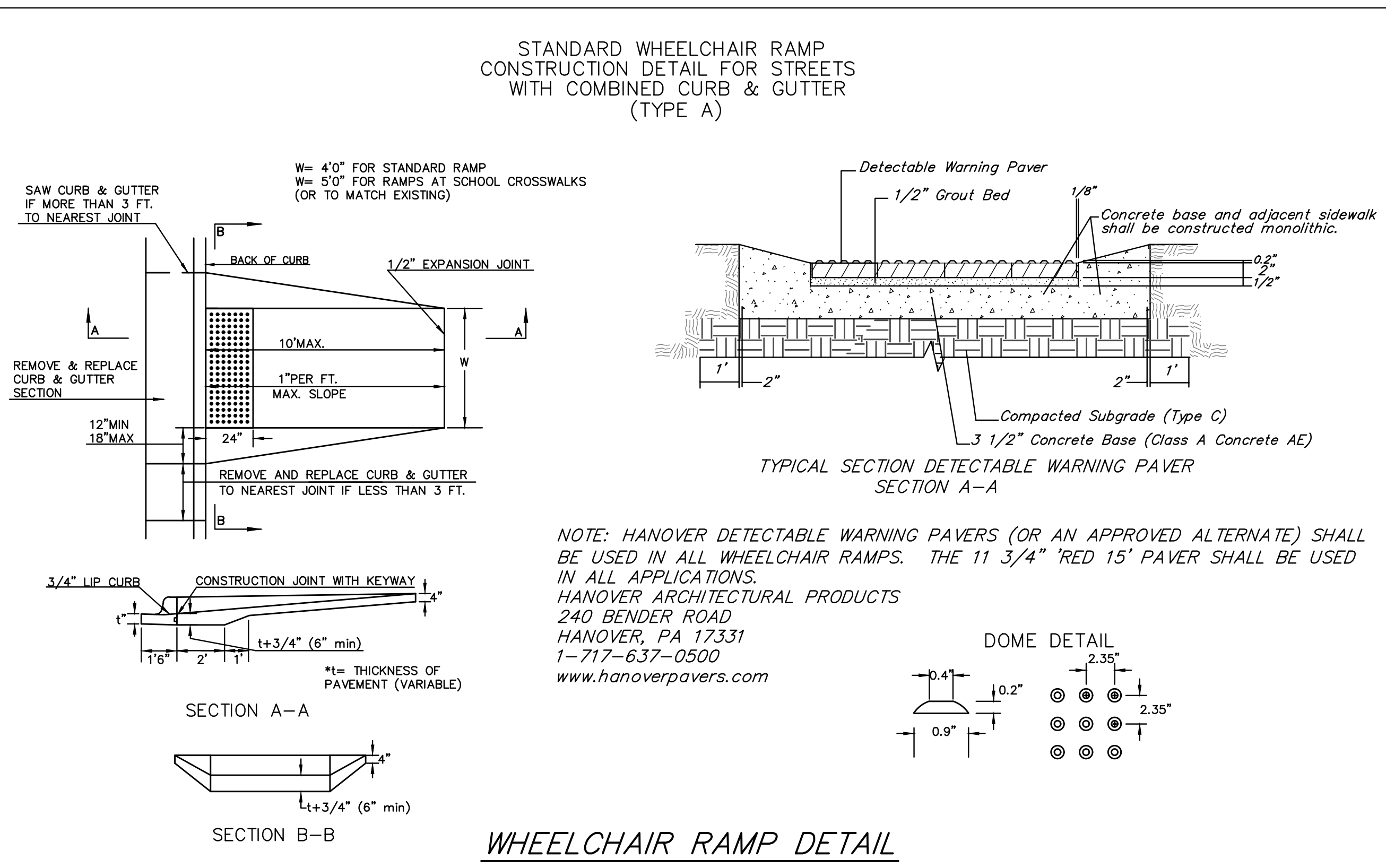
LONGITUDINAL JOINT DETAIL (L.J.) "A"



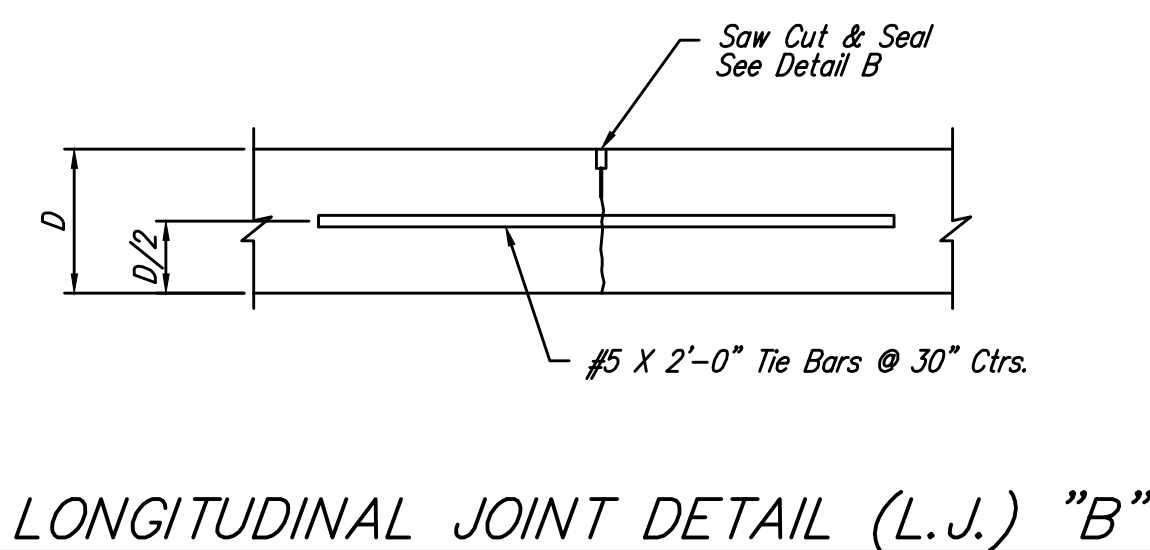
LONGITUDINAL JOINT DETAIL (L.J.)



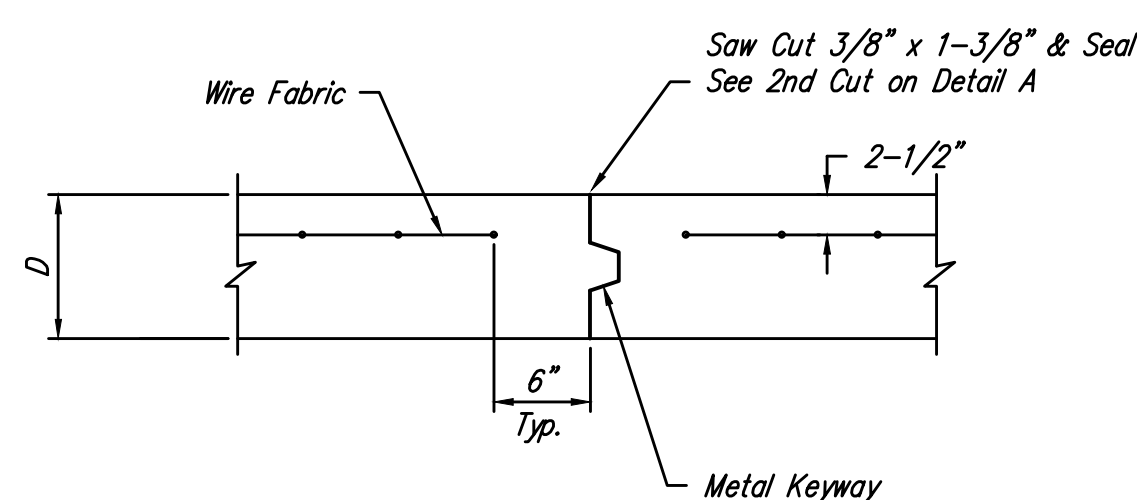
OPTIONAL LONGITUDINAL JOINT DETAIL (L.J.) (CONSTRUCTION JOINT)



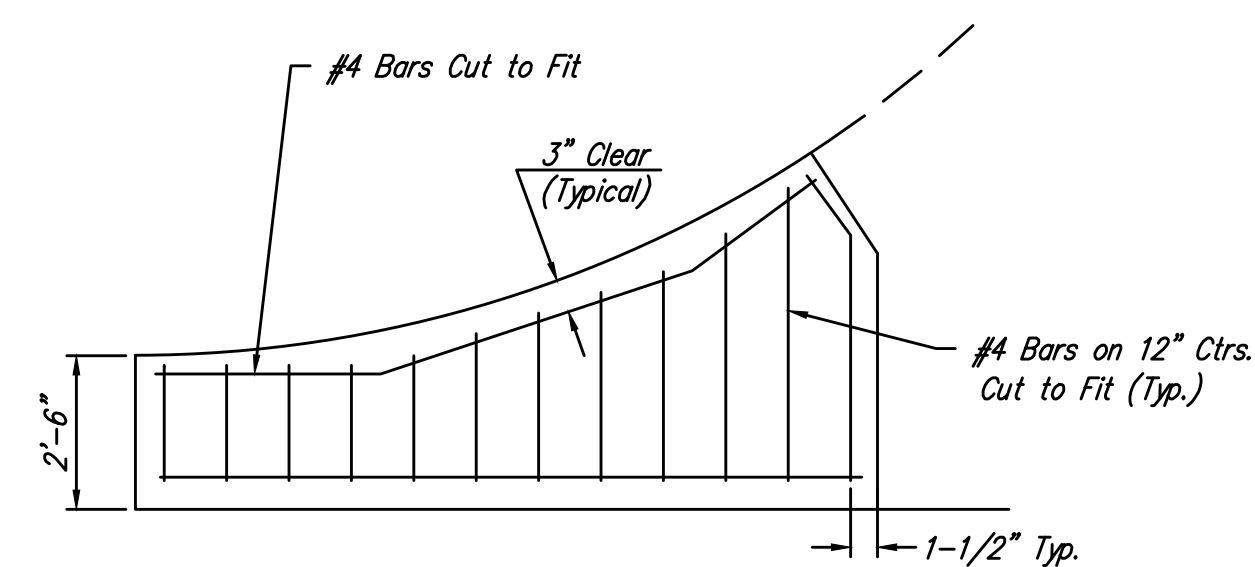
WHEELCHAIR RAMP DETAIL



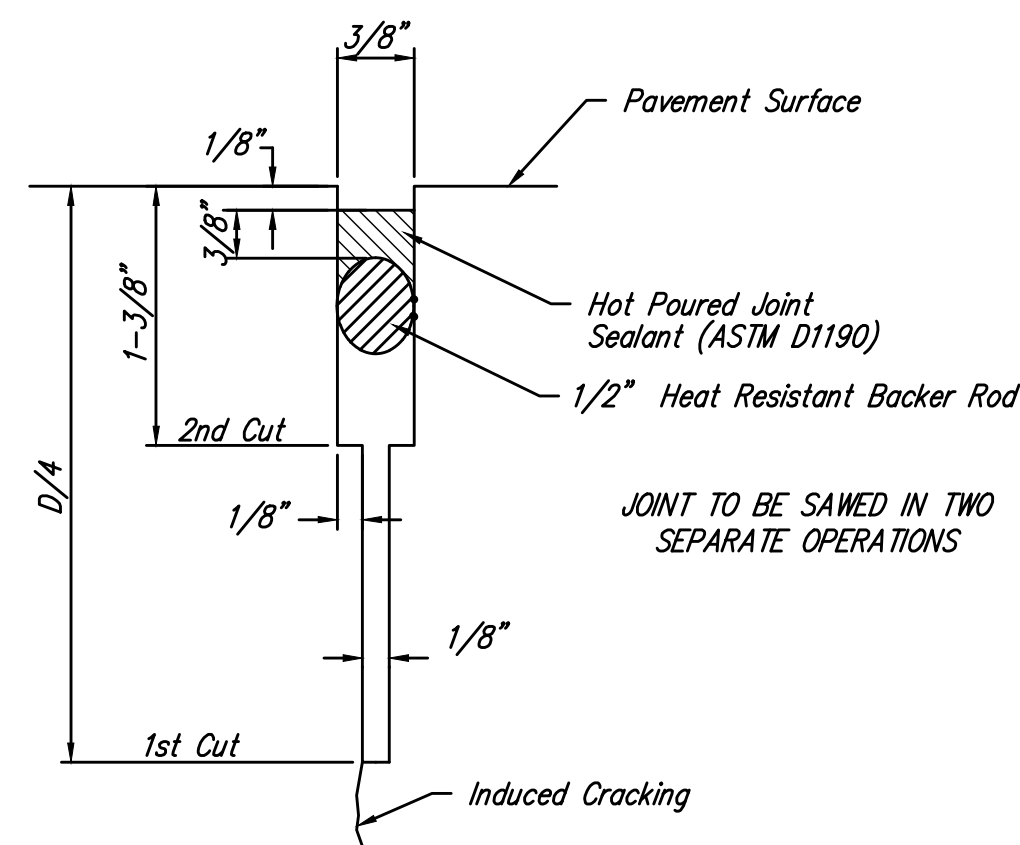
LONGITUDINAL JOINT DETAIL (L.J.) "B"



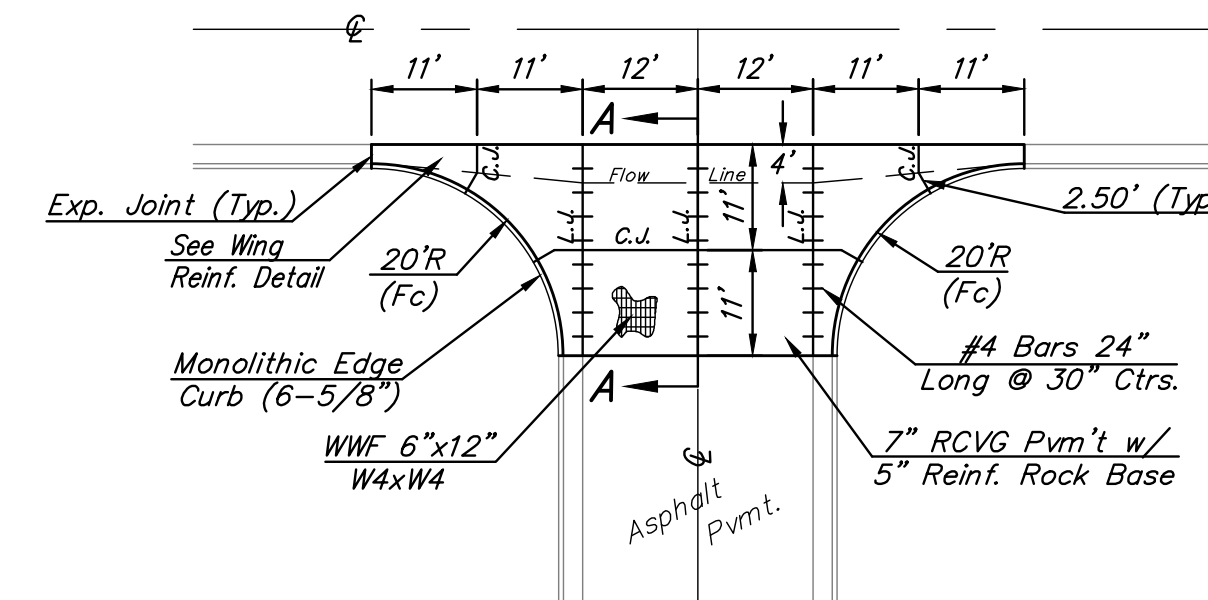
OPTIONAL CONTRACTION JOINT (CONSTRUCTION JOINT)



WING REINFORCING DETAIL



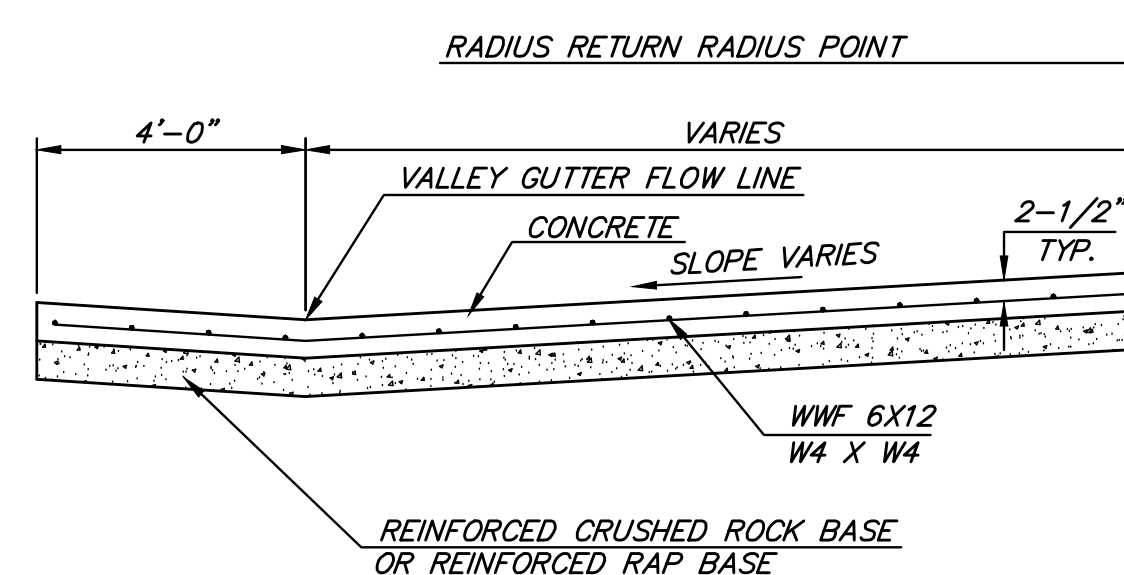
SAW JOINT DETAIL



REINFORCED VALLEY GUTTER DETAIL

Scale: 1" = 20'

6" x 12" W4XW4 WIRE FABRIC REINFORCING SHALL BE PLACED SUCH THAT THE WIRES WITH THE 6" SPACING WILL RUN PARALLEL WITH THE LONGITUDINAL JOINT.



SECTION A-A

	AUBURN HILLS 16th PHASE 1C VALLEY GUTTER DETAILS WHEELCHAIR RAMP DETAILS	
	<small>Baughman Company, P.A. 315 Ellis St. Wichita, KS 67211 P 316-262-7271 F 316-262-0149 ENGINEERING SURVEYING PLANNING LANDSCAPE ARCHITECTURE</small>	
PROJECT NUMBER 472-85032	DESIGN AEG	DRAWN JAK
REVISIONS:	APPROVED	DATE 08/08/16
SCALE 1" = 20' SHEET		5 OF 23