

STORM SEWER IMPROVEMENTS

GENERAL NOTES

- THE CONTRACTOR SHALL COMPLY WITH ALL APPLICABLE SAFETY REGULATIONS. ALL CONSTRUCTION SHALL BE COMPLETED FOLLOWING CURRENT CITY STANDARD SPECIFICATIONS AND SPECIAL PROVISIONS.
- CONTRACTOR WILL BE REQUIRED TO PROVIDE NOTICE TO UTILITY COMPANIES A MINIMUM OF SEVENTY-TWO (72) HOURS PRIOR TO ANY EXCAVATION, AS FOLLOWS:
KANSAS ONE-CALL 687-2470
THE CONTRACTOR MUST NOTIFY THE FOLLOWING IN CASE OF AN EMERGENCY:
AT&T 1-800-246-8464
BLACK HILLS ENERGY 1-800-694-8989
CITY OF WICHITA WATER 1-316-268-4555
CITY OF WICHITA SEWER 1-316-268-4073
CITY OF WICHITA STORMWATER 1-316-268-4090
CITY OF WICHITA TRAFFIC 1-316-268-4034
COX COMMUNICATIONS 1-888-249-3530
KANSAS GAS SERVICE 1-888-482-4950
WESTAR ENERGY 1-800-544-4857
- UTILITY SERVICE LINES, POLES, ETC. ARE TO BE ADJUSTED AS NECESSARY BY OTHERS PRIOR TO CONSTRUCTION UNLESS THE PLANS SPECIFICALLY CALL FOR THEIR ADJUSTMENT BY THE CONTRACTOR OR UNLESS THE PLANS SPECIFICALLY IDENTIFY A UTILITY TO BE ADJUSTED BY ITS OWNER DURING CONSTRUCTION. EXISTING UTILITIES AND THEIR LOCATION, AS SHOWN ON THE PLANS, REPRESENT THE BEST INFORMATION OBTAINABLE FOR DESIGN. LOCATION INFORMATION HAS BEEN OBTAINED FROM VARIOUS COMPANIES AND IS EITHER FROM COMPANY UTILITY DRAWINGS OR COMPANY PROVIDED FIELD LOCATIONS. THE PLAN LOCATIONS SHOWN ARE NOT GUARANTEED. ADDITIONAL EXISTING UTILITIES MAY BE ENCOUNTERED. THE CONTRACTOR WILL BE REQUIRED TO WORK AROUND EXISTING UTILITIES WITHIN THE RIGHT-OF-WAY WHICH DO NOT CONFLICT WITH PROPOSED CONSTRUCTION. ANY AND ALL UTILITY SYSTEM COMPONENTS DAMAGED DURING CONSTRUCTION SHALL BE REPAIRED AT THE CONTRACTOR'S EXPENSE. THE CONTRACTOR SHALL FIELD VERIFY THE LOCATION AND DEPTH OF ALL UTILITIES PRIOR TO CONSTRUCTION AND REPORT FINDINGS TO THE PROJECT ENGINEER.
- RUBBLE FROM THE REMOVAL OF MISCELLANEOUS STRUCTURES AND EXCESS EXCAVATION WHICH IS TO BE WASTED SHALL BE DISPOSED OF ON SITES TO BE PROVIDED BY THE CONTRACTOR. THESE SITES SHALL BE APPROVED BY THE ENGINEER AS TO SUITABILITY, APPEARANCE AND SITE LOCATION. LOCATIONS, IN THE OPINION OF THE ENGINEER, THAT WILL LEAVE AN UNSIGHTLY APPEARANCE WILL NOT BE APPROVED. ALL DISPOSAL SITES MUST BE APPROVED BY THE KANSAS DEPARTMENT OF HEALTH AND ENVIRONMENT. MATERIAL EITHER STOCKPILED OR DISPOSED OF IN A FLOOD PLAIN WILL REQUIRE A KANSAS STATE BOARD OF AGRICULTURE PERMIT. ANY MATERIAL DUMPED IN WATERS OF THE UNITED STATES OR WETLANDS IS SUBJECT TO U.S. CODES OF ENGINEERS PERMITTING REGULATIONS. ANY MATERIAL BURIED OR STOCKPILED BEYOND APPROVED CONSTRUCTION LIMITS WILL REQUIRE ADDITIONAL ARCHAEOLOGICAL INVESTIGATIONS UNLESS BURIED IN A PREVIOUSLY APPROVED BORROW LOCATION.
- TREES AND SHRUBS IN PUBLIC RIGHT-OF-WAY WHICH ARE IN DIRECT CONFLICT WITH PROPOSED NEW CONSTRUCTION SHALL BE REMOVED BY THE CONTRACTOR WITH THE ENGINEER'S APPROVAL. TREES AND SHRUBS WHICH ARE NOT IN DIRECT CONFLICT WITH PROPOSED NEW CONSTRUCTION SHALL BE SAVED AND PROTECTED FROM DAMAGE. EQUIPMENT AND CONSTRUCTION MATERIALS SHALL REMAIN OUT OF AND AWAY FROM TREE DRIP LINES SO AS NOT TO COMPACT THE ROOT ZONE OR DAMAGE TREES.
- THE CONTRACTOR SHALL GIVE ALL PROPERTY OWNERS AND/OR TENANTS OF DEVELOPED PROPERTY ABUTTING THE CONSTRUCTION OF THIS PROJECT A MINIMUM OF TEN (10) DAYS NOTICE PRIOR TO START OF CONSTRUCTION.
- THE CONTRACTOR SHALL BE RESPONSIBLE FOR PRESERVING PROPERTY IRONS. THE CONTRACTOR WILL BE REQUIRED TO RE-ESTABLISH ANY PROPERTY IRONS WHICH ARE DAMAGED OR DESTROYED BY HIS CONSTRUCTION OPERATIONS. SUCH IRONS SHALL BE RE-ESTABLISHED BY A LICENSED LAND SURVEYOR IN ACCORDANCE WITH STATE LAWS.
- THE WATER DISTRIBUTION DIVISION SHALL FIELD LOCATE WATER VALVES ONE TIME DURING CONSTRUCTION WHEN REQUESTED BY THE CONTRACTOR. IT SHALL BE THE CONTRACTOR'S RESPONSIBILITY TO PRESERVE SUCH FIELD LOCATIONS DURING THE CONSTRUCTION PROCESS. WATER VALVES, VALVE BOXES OR FIRE HYDRANTS DAMAGED DURING CONSTRUCTION SHALL BE REPAIRED BY CONTRACTOR AT HIS OWN EXPENSE. VALVE BOXES AND WATER METERS WITHIN THE PROJECT LIMITS SHALL BE ADJUSTED TO MATCH FIELD GRADES.
- THE CONTRACTOR SHALL NOTIFY THE CONSULTANT ENGINEER AND TOM MASON WITH THE CITY AT 316-268-4574 WITH THE ANTICIPATED CONSTRUCTION START DATE AND NOTIFY THEM OF PROJECT COMPLETION. STAKING, TESTING, INSPECTION AND SHOP DRAWING REVIEW FOR THIS PROJECT WILL BE THE RESPONSIBILITY OF THE CONTRACTOR. INSPECTION, TESTING AND SHOP DRAWING DOCUMENTS SHALL BE PROVIDED TO THE ENGINEERING FIRM FOR RECORDS.
- IF TRAFFIC IS IMPACTED BY CONSTRUCTION, A TRAFFIC CONTROL PLAN MUST BE SUBMITTED AND APPROVED BY THE CITY TRAFFIC ENGINEER, BRIAN COON AT TRAFFIC@WICHITA.GOV BEFORE CONSTRUCTION CAN BEGIN. THE CONTRACTOR SHALL BE RESPONSIBLE FOR ALL TRAFFIC CONTROL MEASURES TO FACILITATE CONSTRUCTION. ALL CONSTRUCTION ZONE MARKINGS AND SIGNAGE SHALL CONFORM TO THE LATEST VERSION OF THE MANUAL ON UNIFORM TRAFFIC CONTROL DEVICES (MUTCD) AS PUBLISHED BY THE US DEPT. OF TRANSPORTATION, FEDERAL HIGHWAY ADMINISTRATION. ALL COSTS ASSOCIATED WITH CONSTRUCTION MARKINGS AND SIGNAGE SHALL BE THE CONTRACTORS RESPONSIBILITY.
- TO CONVERT ALL ELEVATIONS TO NAVD 88 SUBTRACT 0.63 FEET.
- ALL AREAS DISTURBED DURING CONSTRUCTION THAT WILL NOT BE UNDER PROPOSED PAVEMENT SHALL BE RESTORED TO MATCH EXISTING CONDITIONS.
- A PORTION OF EXCESS EXCAVATED MATERIAL SHALL BE MOUNDED AROUND MANHOLES WHICH EXTEND MORE THAN ONE (1) FOOT ABOVE THE EXISTING GROUND. SUCH MOUND SHALL BE CONSTRUCTED WITH NEW DEVELOPMENT A SIX (6) FOOT DIAMETER FLAT TOP WITH 4 TO 1 SIDE SLOPES DOWN TO THE ORIGINAL GROUND. THE ELEVATION OF THE FLAT TOP OF THE MOUND SHALL BE 0.4 FOOT BELOW THE TOP TO THE MANHOLE.
- GEOTECHNICAL REPORT AVAILABLE UPON REQUEST.
- CONTRACTOR SHALL LIMIT THE EXTENT OF TRENCH OPENINGS OVERNIGHT AND WEEKENDS TO LESS THAN 50 FEET.
- CONTRACTOR SHALL PROVIDE POSITIVE DRAINAGE AWAY FROM ALL MANHOLE COVERS.
- CITY MAINTENANCE OF STORM SEWER ENDS AT RIGHT-OF-WAY OR EASEMENT LINE.
- ANY SIDEWALK, DRIVE APPROACH, OR STREET PAVEMENT REMOVED TO CONSTRUCT PROJECT MUST HAVE A PAVEMENT CUT PERMIT AND BE REPLACED BY THE CITY CONTRACTOR. PERMITS CAN BE OBTAINED BY CALLING 316-268-4501 OR 316-268-4480.
- THE INSPECTING FIRM SHALL SUBMIT TO THE CITY STORMWATER MAINTENANCE DIVISION A DIGITAL COPY OF THE CCTV INSPECTION OF THE CONDUITS AND STRUCTURES FOLLOWING CONSTRUCTION. THE DIGITAL FILE FORMATION SHALL BE COMPATIBLE WITH THE CITY INPUT TEMPLATE. A COPY OF THE TEMPLATE IS AVAILABLE UPON REQUEST AT 316-268-4090.
- ALL TRENCHING IN PAVEMENT OR DRIVEWAYS, WHICH WILL BE REQUIRED TO CARRY TRAFFIC UNTIL PERMANENT PAVING REPLACEMENT, SHALL BE TOPPED WITH A MINIMUM OF 6" CRUSHED ROCK (COMPACTED) TO BE INCIDENTAL TO THE PROJECT. THE CONTRACTOR SHALL BE REQUIRED TO MAINTAIN TEMPORARY CRUSHED ROCK UNTIL PERMANENT PAVEMENT IS INSTALLED.
- THE CONTRACTOR SHALL RESTORE ALL DITCHES, SWALES, ROAD SHOULDERS, ENTRANCES AND BANK LINES TO THEIR ORIGINAL SLOPES AND GRADES EXCEPT AS SHOWN OTHERWISE.
- SITE RESTORATION AND PREPARATION SHALL BE SUBSIDIARY TO THE PROJECT.
- THE CONTRACTOR SHALL USE BEST MANAGEMENT PRACTICES (BMP'S) TO PREVENT ERODED SOIL FROM ENTERING DITCHES, CULVERTS AND DRAINAGE AREAS. THE CONTRACTOR SHALL FOLLOW THE INTENT OF THE BMP'S WHICH ACT AS A GUIDELINE.
- EACH BIDDER SHALL VISIT THE SITE OF THE PROJECT BEFORE SUBMITTING A PROPOSAL IN ORDER TO BECOME BETTER INFORMED OF THE EXISTING FIELD CONDITIONS AND OBSTACLES WHICH MIGHT BE ENCOUNTERED DURING CONSTRUCTION. EACH BIDDER SHOULD UNDERSTAND THAT NO ADDITIONAL COMPENSATION WILL BE AWARDED FOR EXTRA WORK THAT SHOULD HAVE BEEN EVALUATED PRIOR TO BIDDING.
- THE PRECAST MANUFACTURER SHALL PROVIDE A SEALED DESIGN DETAIL FOR ALL PRECAST ITEMS USED ON THE PROJECT TO INSURE THE INTENT OF THE PLANS ARE MET.

TO SERVE

A PORTION OF LOT 1, BLOCK A WICHITA DESTINATION DEVELOPMENT

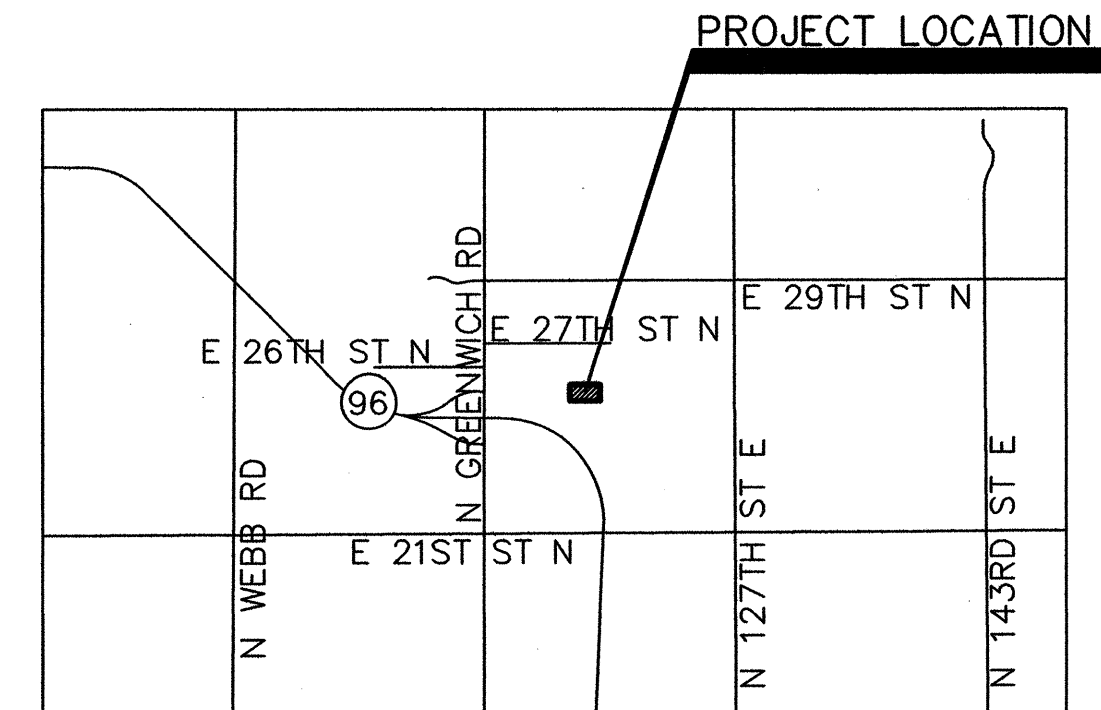
2660 N GREENWICH COURT

PRIVATE PROJECT NO. 0373 PPD (607861)

CITY OF WICHITA, KANSAS

GARY JANZEN, P.E. - CITY ENGINEER

AS BUILT PLANS
CONTRACTOR: CK CONTRACTING
INSPECTOR: DAKOTA ZIMMERMAN
RUGGLES & BOHM, P.A.
PDF BY: DGZ 6/24/16



INDEX OF SHEETS

1	TITLE SHEET
2-3	STORM SEWER PLAN AND PROFILE
4-7	STANDARD DETAILS
8	GRADING PLAN
9	EROSION CONTROL PLAN
10-14	EROSION CONTROL DETAILS
15	PLAT

VICINITY MAP

Stormwater Certification: New Development

These construction plans were prepared in accordance with the current Stormwater Management Regulations as set forth in the City of Wichita's Stormwater Management Ordinance 16.32 and the policies/guidelines presented in the Wichita/Sedgwick County Stormwater Manual.

Disturbed Area = 103,250 SF (2.37 ACRES ±)
Water Quality Treatment: SNOOT BMP
Downstream Channel Protection: N/A
Detention: Provided by adjacent development ponds.
The BMP used for this development is: SNOOT BMP, SILT FENCE, INLET SEDIMENTATION BARRIERS.

APPROVED AS NOTED
BY WICHITA PUBLIC WORKS ENGINEERING
AND STORMWATER DIVISION

Engineering Rebecca Dil 4/12/2016

Stormwater Joe Hill PE 4/12/16

NOTE TO CONTRACTORS

Inspection and testing for this project is to be provided by a Licensed Consulting Engineering Firm under contract with the Owner/Developer. Said Inspection to be in accordance with the City of Wichita standard construction engineering practices and certified by a Licensed Professional Engineer in the state of Kansas. No work shall be performed the Contractor without such inspection nor shall any work be commenced without written authorization by City Engineering. All Construction and Materials shall comply with the current City of Wichita Specifications and Standards and Special Provisions. (on file and available at Wichita.gov).

An approved copy of these plans signed by City staff are required on-site.

SAFETY NOTICE TO CONTRACTOR

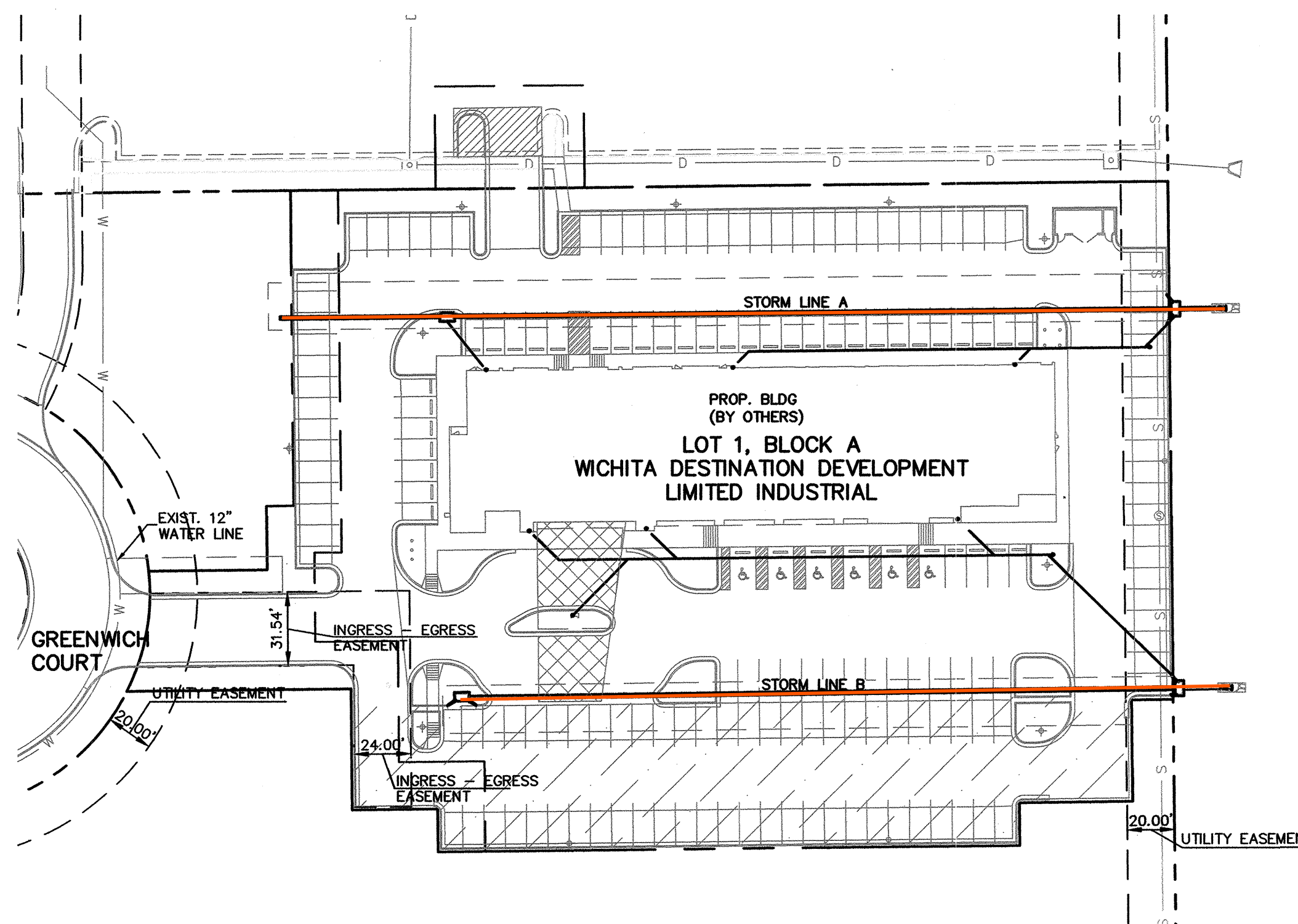
IN ACCORDANCE WITH GENERALLY ACCEPTED CONSTRUCTION PRACTICES, THE CONTRACTOR WILL BE SOLELY AND COMPLETELY RESPONSIBLE FOR CONDITIONS OF THE JOB SITE, INCLUDING SAFETY OF ALL PERSONS AND PROPERTY DURING PERFORMANCE OF THE WORK. THIS REQUIREMENT WILL APPLY CONTINUOUSLY AND NOT BE LIMITED TO NORMAL WORKING HOURS.

WARRANTY / DISCLAIMER

THE DESIGNS REPRESENTED IN THESE PLANS ARE IN ACCORDANCE WITH ESTABLISHED PRACTICES OF CIVIL ENGINEERING FOR THE DESIGN FUNCTIONS AND USES INTENDED BY THE OWNER AT THIS TIME. HOWEVER, NEITHER KAW VALLEY ENGINEERING, INC NOR ITS PERSONNEL CAN OR DO WARRANT THESE DESIGNS OR PLANS AS CONSTRUCTED, EXCEPT IN THE SPECIFIC CASES WHERE KAW VALLEY ENGINEERING PERSONNEL INSPECT AND CONTROL THE PHYSICAL CONSTRUCTION ON A CONTEMPORARY BASIS AT THE SITE.

CAUTION - NOTICE TO CONTRACTOR

THE CONTRACTOR IS SPECIFICALLY CAUTIONED THAT THE LOCATION AND/OR ELEVATION OF EXISTING UTILITIES AS SHOWN ON THESE PLANS IS BASED ON RECORDS OF THE VARIOUS UTILITY COMPANIES AND, WHERE POSSIBLE, MEASUREMENTS TAKEN IN THE FIELD. THE INFORMATION IS NOT TO BE RELIED ON AS BEING EXACT OR COMPLETE. THE CONTRACTOR MUST CALL THE APPROPRIATE UTILITY COMPANY AT LEAST 72 HOURS BEFORE ANY EXCAVATION TO REQUEST EXACT FIELD LOCATION OF UTILITIES. IT SHALL BE THE RESPONSIBILITY OF THE CONTRACTOR TO RELOCATE ALL EXISTING UTILITIES WHICH CONFLICT WITH PROPOSED IMPROVEMENTS SHOWN ON THE PLANS. THE CONTRACTOR SHALL EXPOSE EXISTING UTILITIES AT LOCATIONS OF POSSIBLE CONFLICTS PRIOR TO ANY CONSTRUCTION.



THE COORDINATES PROVIDED IN THESE PLANS ARE FOR INFORMATION AND CHECKING PURPOSES ONLY. IT IS THE CONTRACTOR'S RESPONSIBILITY TO CALCULATE CONSTRUCTION STAKING COORDINATES ACCORDING TO THE DIMENSIONS SHOWN ON THESE PLANS. CONTRACTOR SHALL VERIFY THE ACCURACY OF THE COORDINATES SHOWN IN THE PLANS HEREON BEFORE CONSTRUCTION.

LEGAL DESCRIPTION

PARCEL 4:
ALL THAT PART OF LOT 1, BLOCK A, WICHITA DESTINATION DEVELOPMENT, AN ADDITION TO THE CITY OF WICHITA, SEDGWICK COUNTY, KANSAS, MORE PARTICULARLY DESCRIBED AS FOLLOWS: BEGINNING AT A POINT ON THE EAST LINE OF SAID LOT 1, SAID POINT ALSO BEING THE SOUTHEAST CORNER OF PARCEL 1 AS SHOWN ON LOT SPLIT, LOT 1, BLOCK A, WICHITA DESTINATION DEVELOPMENT, RECORDED AS DOC.#/FLM-PG: 29532322 IN THE OFFICE OF THE REGISTER OF DEEDS, SEDGWICK COUNTY, KANSAS; THENCE SOUTH 00°35'43" EAST, COINCIDENT WITH THE EAST LINE OF SAID LOT 1, A DISTANCE OF 219.00 FEET; THENCE DEPARTING SAID EAST LINE, SOUTH 89°24'17" WEST, 17.58 FEET; THENCE SOUTH 00°35'43" EAST, 43.00 FEET; THENCE SOUTH 89°24'17" WEST, 47.92 FEET; THENCE SOUTH 00°35'43" EAST, 18.00 FEET; THENCE SOUTH 89°24'17" WEST, 246.00 FEET; THENCE NORTH 00°35'43" WEST, 18.00 FEET; THENCE SOUTH 89°24'17" WEST, 36.08 FEET; THENCE NORTH 00°35'43" WEST, 51.01 FEET; THENCE SOUTH 89°24'17" WEST, 94.81 FEET TO A POINT ON THE EASTERLY RIGHT-OF-WAY LINE OF GREENWICH COURT, AS IT NOW EXISTS; THENCE NORTHEASTERLY, COINCIDENT WITH SAID EASTERLY RIGHT-OF-WAY LINE, ALONG A CURVE TO THE LEFT HAVING A RADIUS OF 92 FEET, A CHORD BEARING OF NORTH 10°15'31" EAST AND A CHORD LENGTH OF 51.93 FEET, FOR AN ARC DISTANCE OF 52.64 FEET; THENCE DEPARTING SAID EASTERLY RIGHT-OF-WAY, NORTH 89°24'17" EAST, 50.11 FEET; THENCE NORTH 00°35'43" WEST, 26.99 FEET; THENCE NORTH 89°24'17" EAST, 11.50 FEET; THENCE NORTH 00°35'43" WEST, 133.00 FEET TO A POINT ON THE SOUTH LINE OF PARCEL 1 OF SAID LOT SPLIT; THENCE NORTH 89°24'17" EAST, COINCIDENT WITH SAID SOUTH LINE, 371.00 FEET TO THE POINT OF BEGINNING.

BENCHMARKS:

BM1: CHISELED SQUARE CUT ON SOUTH CURB OF 27TH STREET, APPROXIMATELY 690 FEET EAST OF INTERSECTION OF 27TH STREET AND GREENWICH ROAD
ELEV. = 1378.40 (TO CONVERT TO NAVD 88 SUBTRACT 0.63)
BM2: TOP OF THE CENTER OF CURB INLET MANHOLE LID LOCATED 9 FEET +/- NORTH AND 24 FEET +/- WEST OF NE CORNER OF THE PROPERTY
ELEV. = 1391.81 (TO CONVERT TO NAVD 88 SUBTRACT 0.63)

EXISTING TOPOGRAPHIC AND BOUNDARY SURVEY
COMPLETED BY OTHERS.



PROJ. NO. G15-0227 DSN: SRS
CFN: 022701S DWN: EAM

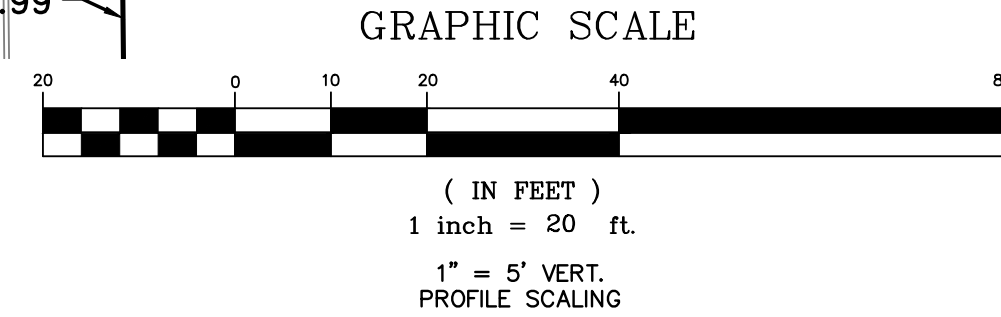
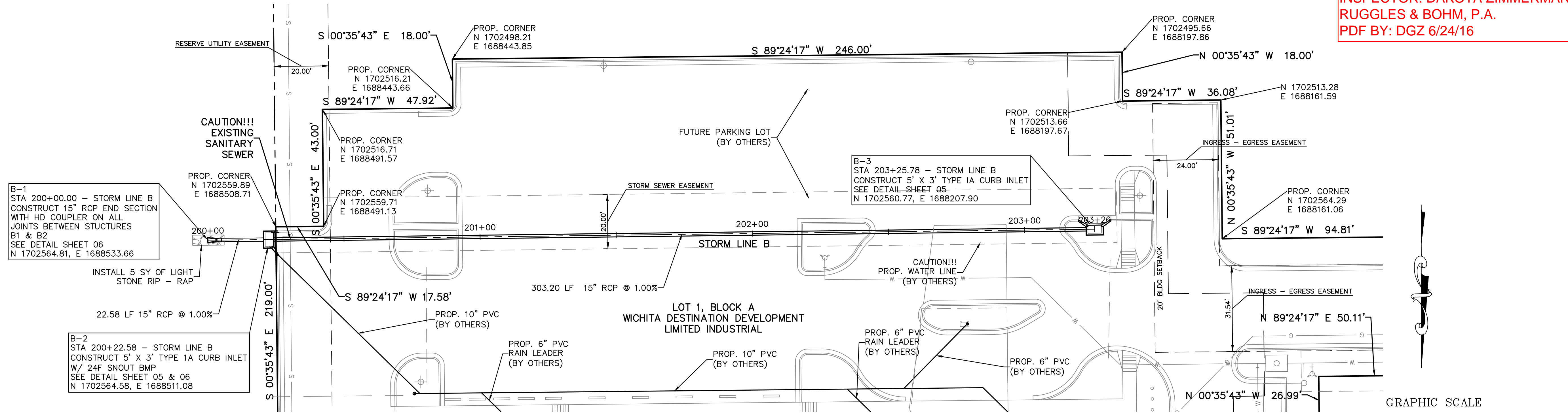
200 N. EMPORIA, SUITE 100
WICHITA, KANSAS 67202
PH. (316) 440-4304 | FAX (316) 440-4309
www.kveng.com

KAW VALLEY ENGINEERING

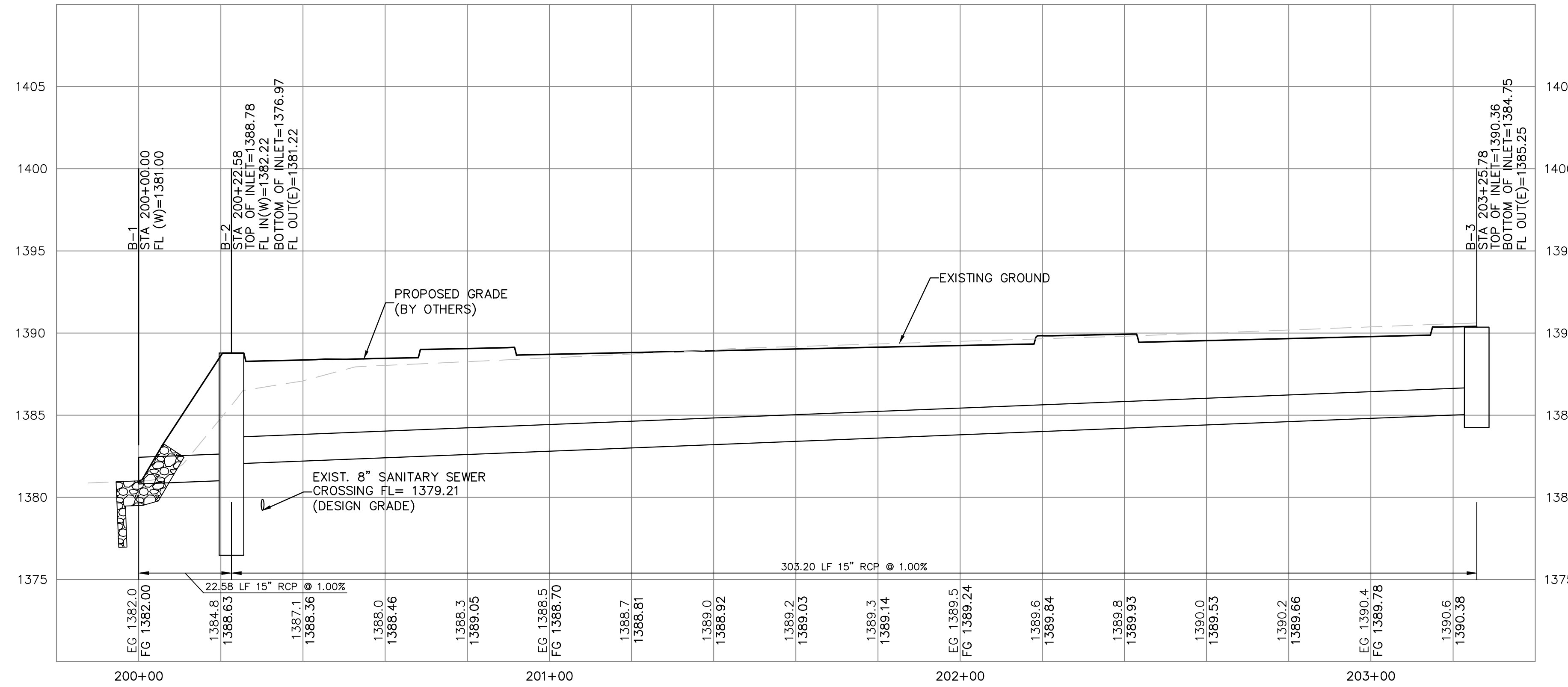
KAW VALLEY ENGINEERING, INC. IS AUTHORIZED TO OFFER ENGINEERING SERVICES BY KANSAS STATE CERTIFICATE OF AUTHORIZATION # E-113. EXPIRES 12/31/16

FEBRUARY 2016

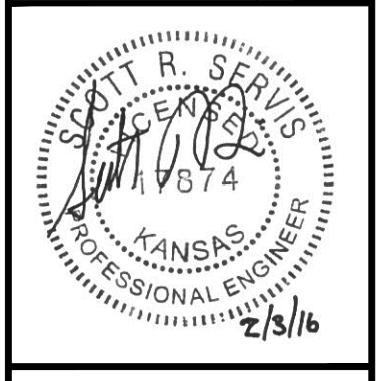
AS BUILT PLANS
 CONTRACTOR: CK CONTRACTING
 INSPECTOR: DAKOTA ZIMMERMAN
 RUGGLES & BOHM, P.A.
 PDF BY: DGZ 6/24/16



STORM LINE B



THE COORDINATES PROVIDED IN THESE PLANS ARE FOR INFORMATION AND CHECKING PURPOSES ONLY. IT IS THE CONTRACTOR'S RESPONSIBILITY TO CALCULATE CONSTRUCTION STAKING COORDINATES ACCORDING TO THE DIMENSIONS SHOWN ON THESE PLANS. CONTRACTOR SHALL VERIFY THE ACCURACY OF THE COORDINATES SHOWN IN THE TABLE HEREON BEFORE CONSTRUCTION.



SCOTT R. SERVIS
 ENGINEER
 KS # 17874

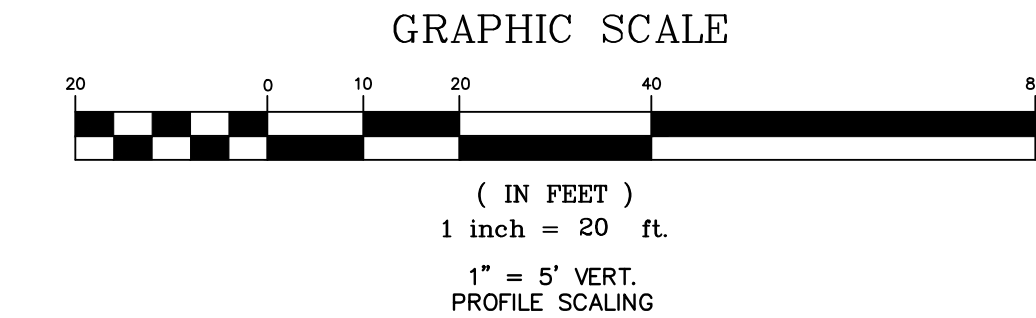
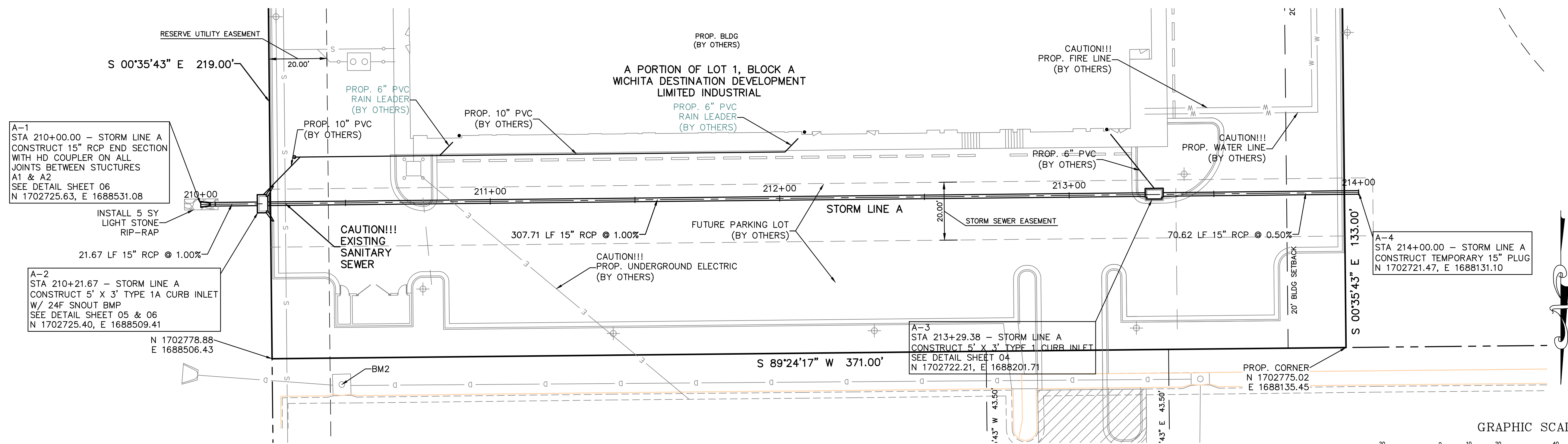
200 N. EMPORIA, SUITE 100
 WICHITA, KANSAS 67203-4400-4309
 PH: (316) 261-1111
 info@kveeng.com | www.kveeng.com

KAW VALLEY ENGINEERING, INC. IS AUTHORIZED TO OFFER ENGINEERING SERVICES IN THE STATE OF KANSAS UNDER CERTIFICATE OF AUTHORIZATION # E-113. EXPIRES 12/31/16.

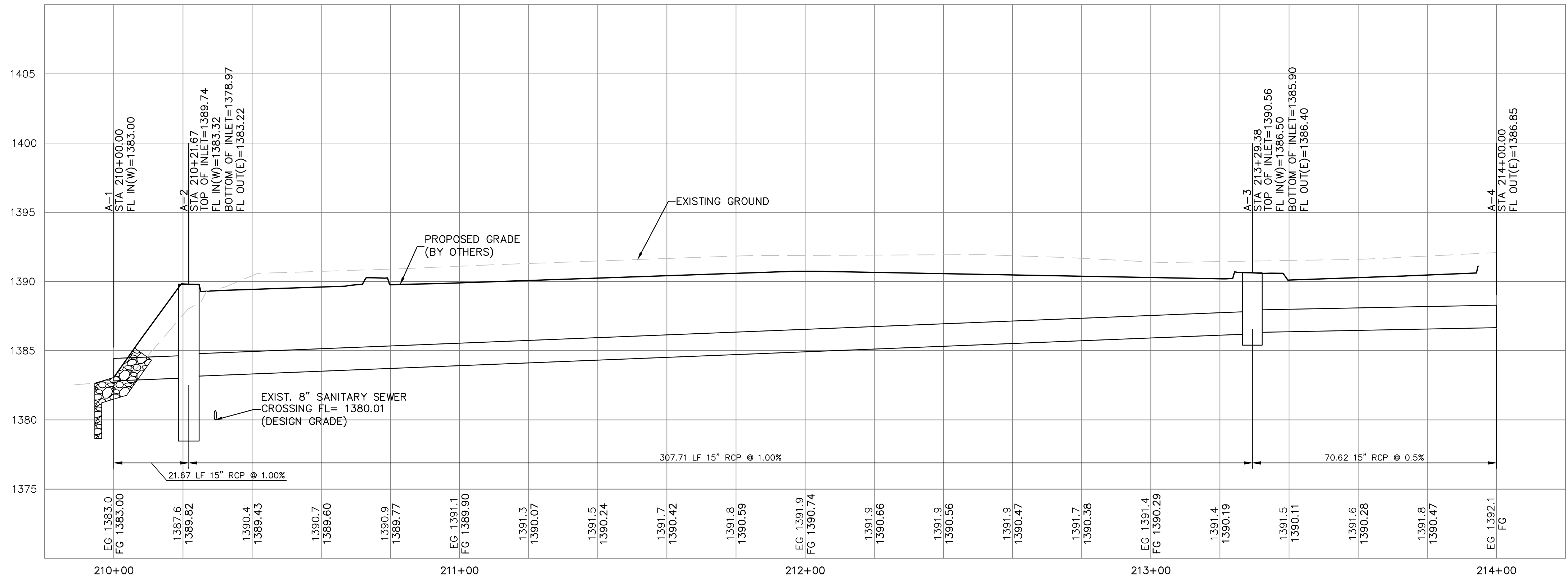
LA QUINTA INN
2660 N GREENWICH COURT
WICHITA, KANSAS

STORM SEWER PLAN/PROFILE

PROJ. NO.	G15_0227
DESIGNER	SRS
DRAWN BY	EAM
CFN	0227DPP
SHEET	02
REV	0



STORM LINE A



AS BUILT PLANS
CONTRACTOR: CK CONTRACTING
INSPECTOR: DAKOTA ZIMMERMAN
RUGGLES & BOHM, P.A.
PDF BY: DGZ 6/24/16

THE COORDINATES PROVIDED IN THESE PLANS ARE FOR INFORMATION AND CHECKING PURPOSES ONLY. IT IS THE CONTRACTOR'S RESPONSIBILITY TO CALCULATE CONSTRUCTION STAKING COORDINATES ACCORDING TO THE DIMENSIONS SHOWN ON THESE PLANS. CONTRACTOR SHALL VERIFY THE ACCURACY OF THE COORDINATES SHOWN IN THE TABLE HEREON BEFORE CONSTRUCTION.

PROJ. NO.	G15_0227
DESIGNER	SRS
CFN	0227DPP
SHEET	03
REV	0
DATE	2-03-16
DESCRIPTION	PRELIM SET FOR COW REVIEW
DSN	DWN
EAM	CHK

SCOTT R. SERVIS
ENGINEER
KS # 17874

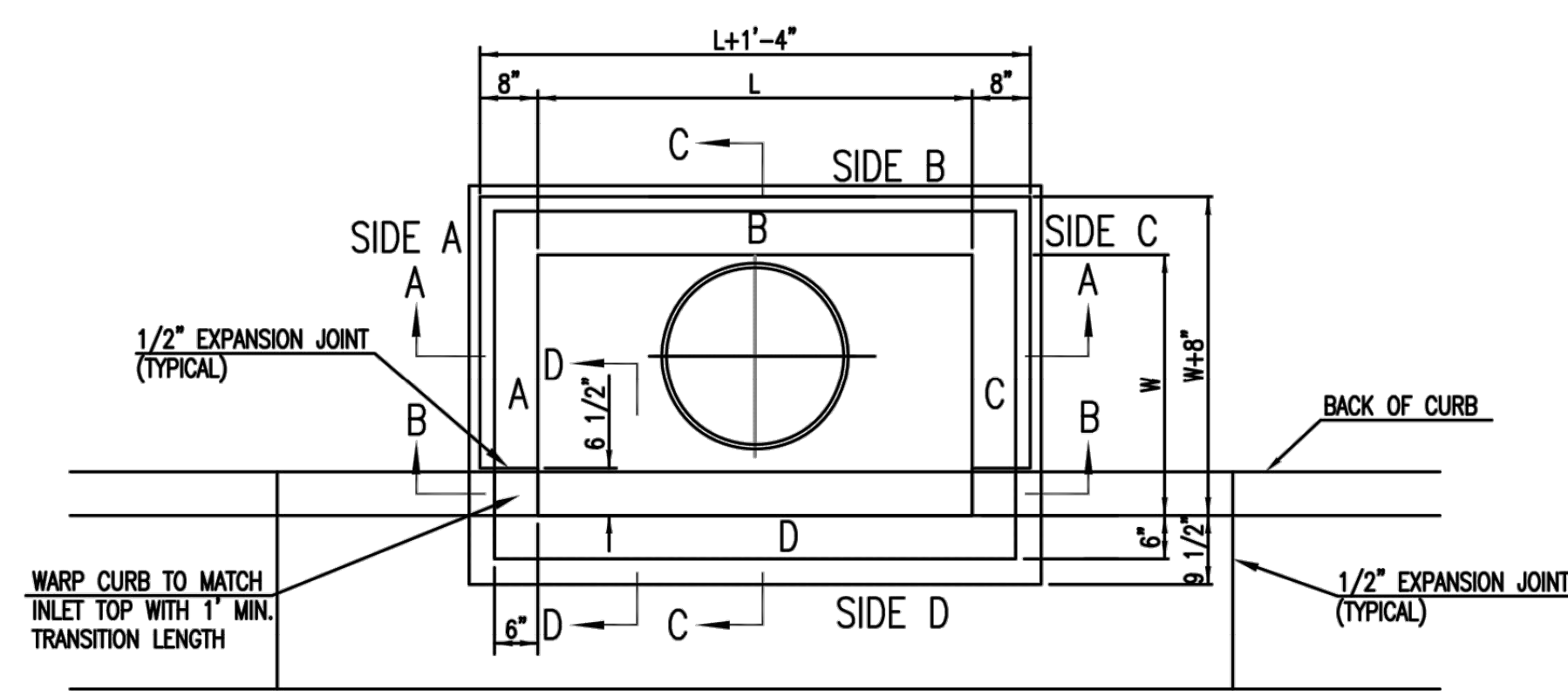
200 N. EMPORIA, SUITE 100
WICHITA, KANSAS 67202-4400-4309
PH: (316) 262-1111
www.kveeng.com | info@kveeng.com

KAW VALLEY ENGINEERING

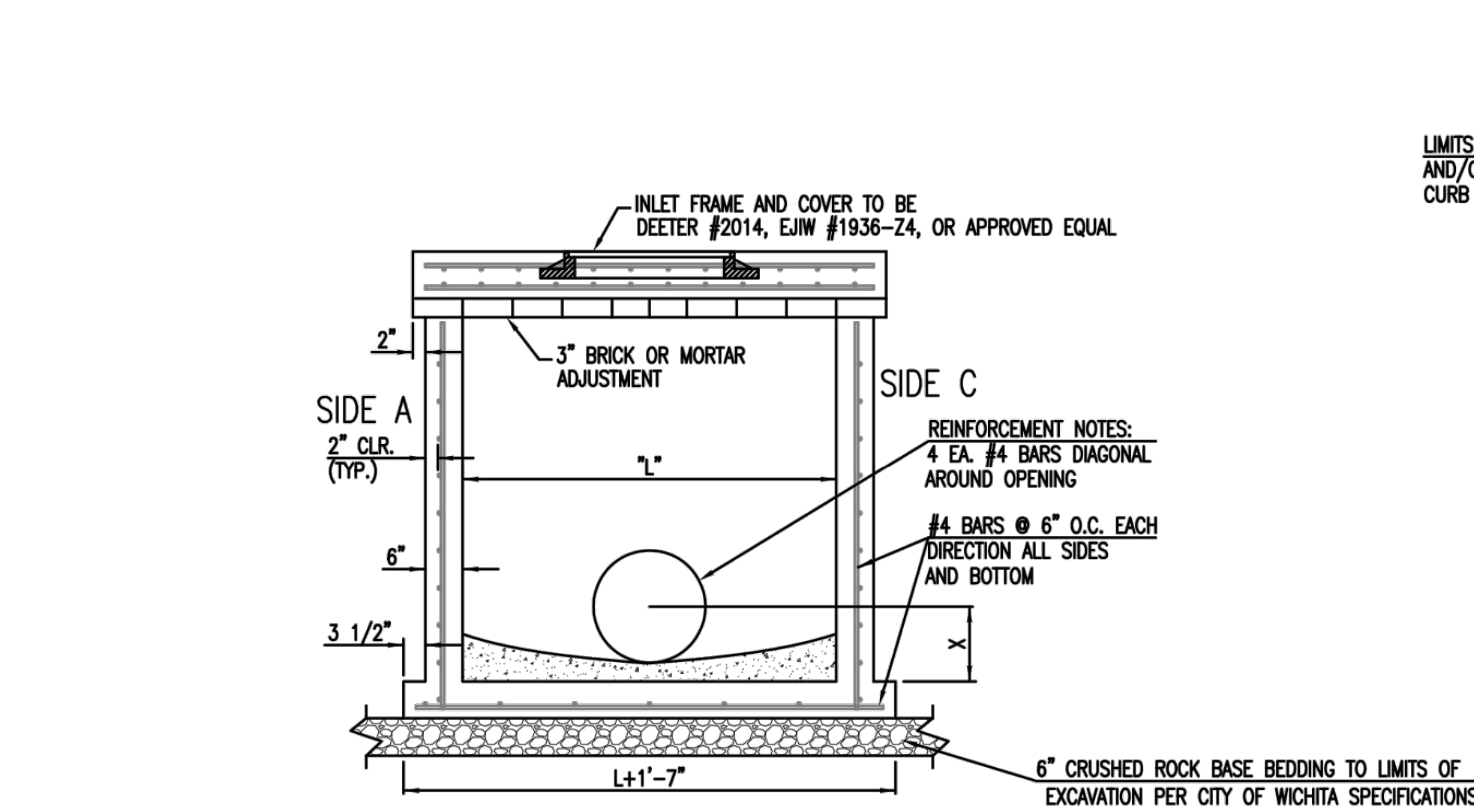
KAW VALLEY ENGINEERING, INC. IS AUTHORIZED TO OFFER ENGINEERING SERVICES IN KANSAS STATE CERTIFICATE OF AUTHORIZATION # E-113. EXPIRES 12/31/16.

LA QUINTA INN
2660 N GREENWICH COURT
WICHITA, KANSAS

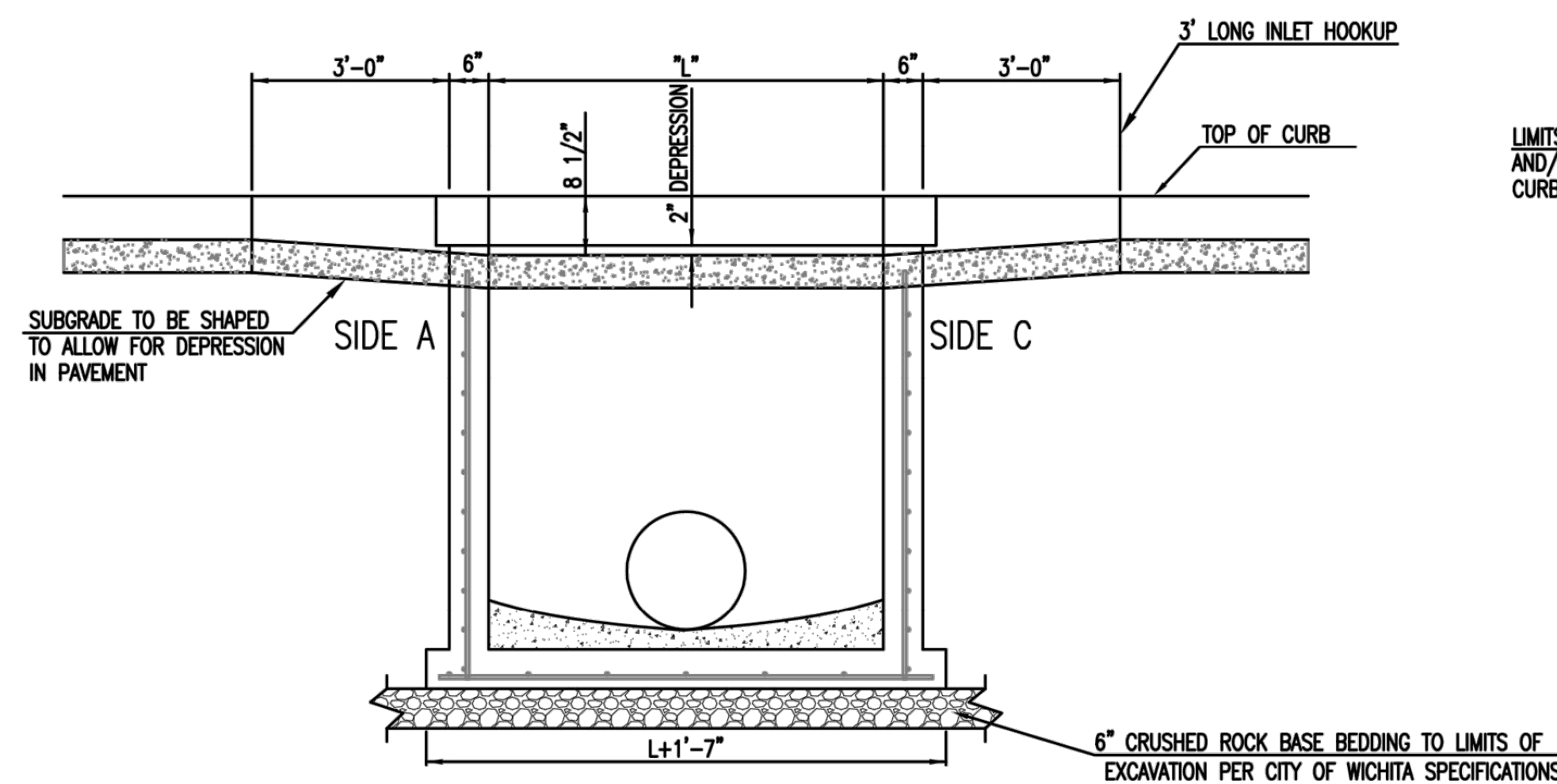
STORM SEWER PLAN/PROFILE



TOP VIEW



SECTION "A-A"



SECTION "B-B"

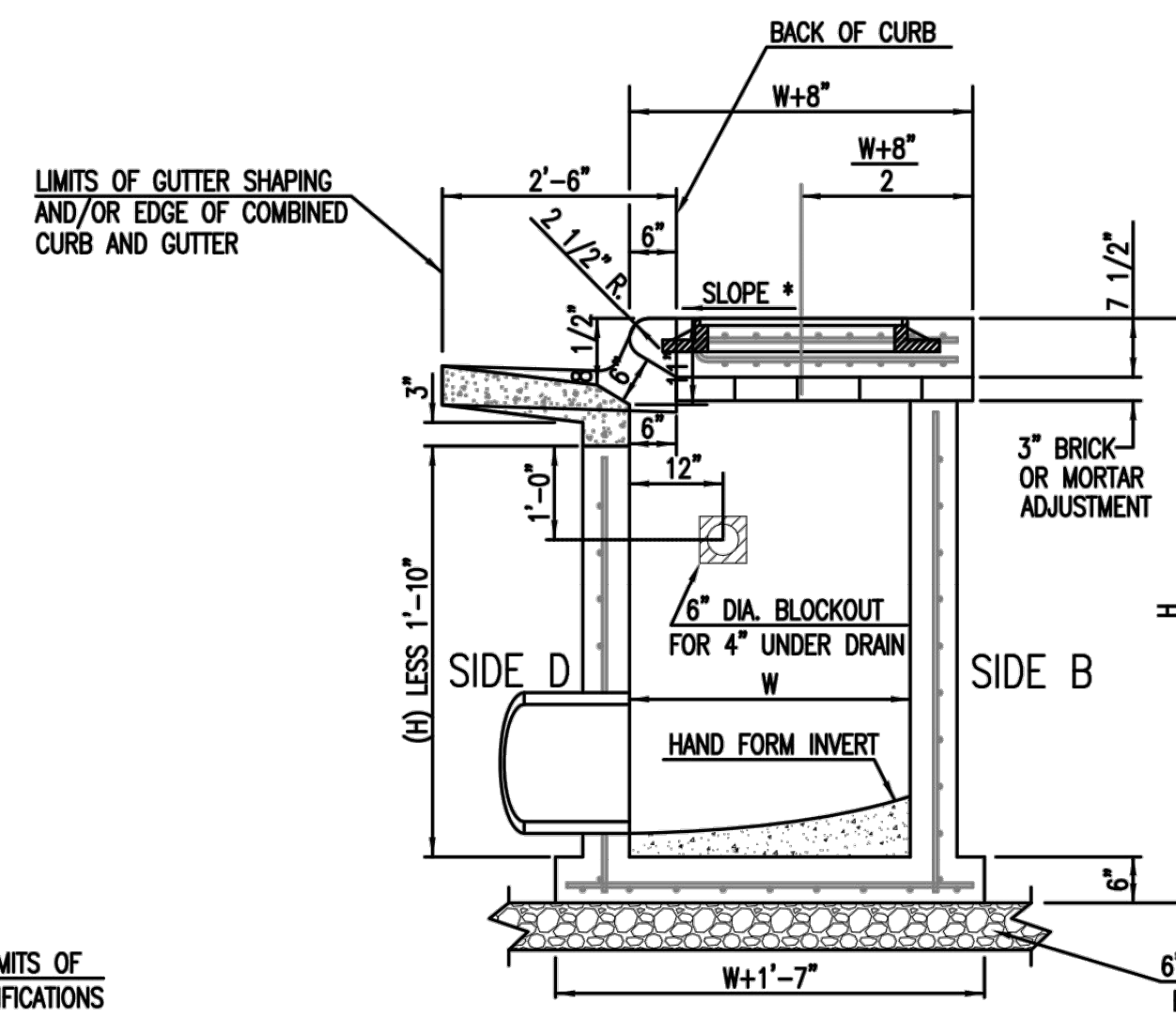
BAR SCHEDULE		
INLET OPENING	B1 BARS	SPACING
5'-0"	#4	4"
10'-0"	#6	3.5"

PRECAST CURB INLET WIDTHS			
W	PRE-CAST TOP SIZE		PIPE DIA.**
	WIDTH	LENGTH	
3'-0"	W+8"	L+1'-4" 7 1/2"	21" & SMALLER
4'-0"	W+8"	L+1'-4" 7 1/2"	24" & 30"
5'-0"	W+8"	L+1'-4" 7 1/2"	36" & 42"
6'-0"	W+8"	L+1'-4" 7 1/2"	48" & 54"
7'-0"	W+8"	L+1'-4" 7 1/2"	60" & 66"

** FOR PIPES PERPENDICULAR TO INLET WALL

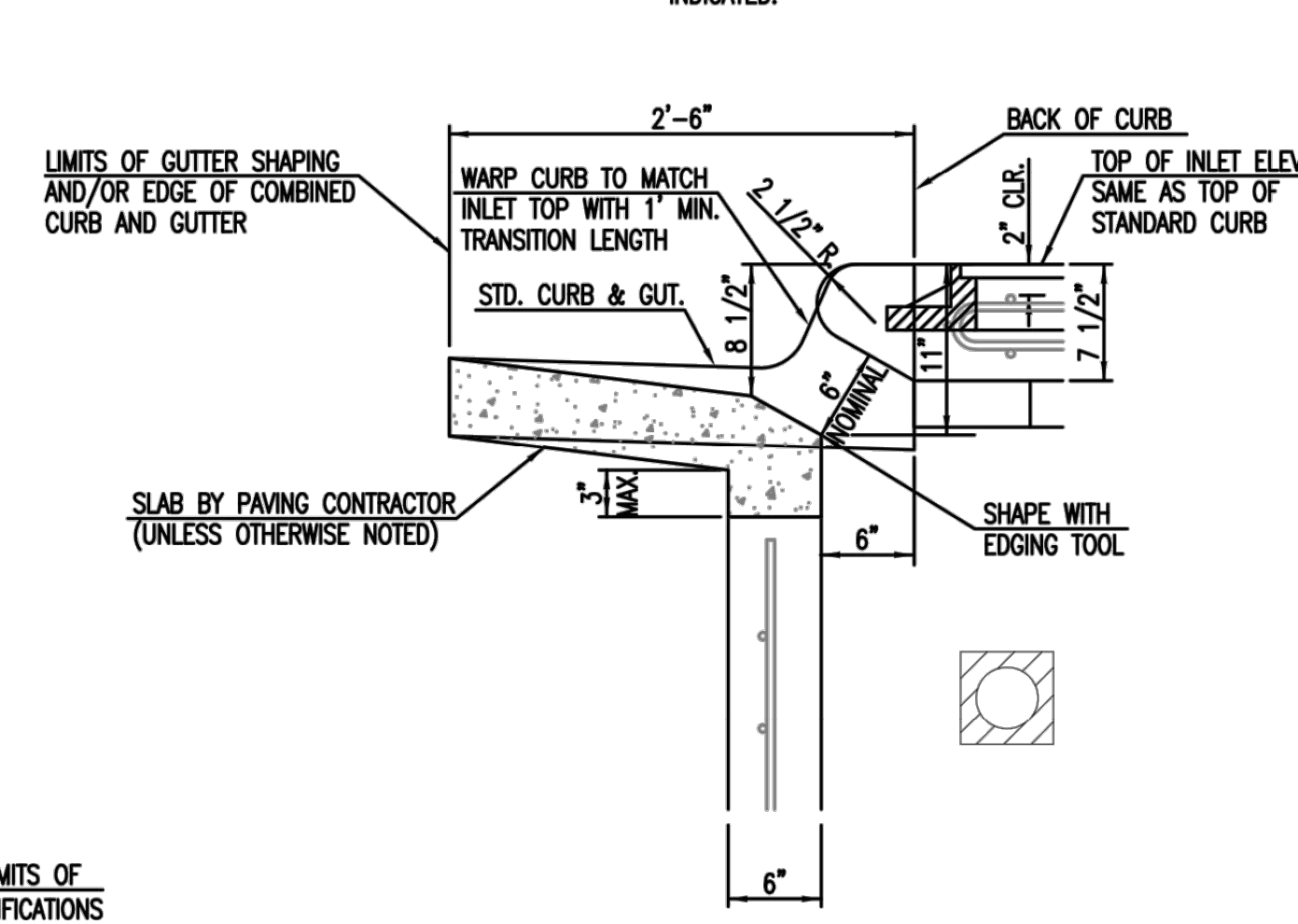
GENERAL NOTES

- CONCRETE TOPS TO BE INSTALLED ON THIN MORTAR CUSHION TO INSURE FULL SUPPORT ALONG BRICK. CONCRETE TOPS MAY BE CAST IN PLACE OR PRECAST. CONCRETE USED FOR INLET CONSTRUCTION SHALL CONFORM TO CITY OF WICHITA SPECIFICATIONS FOR CONCRETE PAVEMENT MIX.
- CONTRACTOR SHALL HAVE THE OPTION OF CONSTRUCTING 8" BRICK MASONRY WALLS BETWEEN THE CONCRETE INLET BASE AND TOP OF THIS INLET WHEN W=5'-0" AND H=7'-0" OR LESS.
- INLET INVERT SHALL BE SHAPED WITH 8 SACK SAND MIX CONCRETE TO CREATE FLOW CHANNELS AND TO INCREASE HYDRAULIC EFFICIENCY SUCH THAT THE INLET WILL BE SELF CLEANING BETWEEN ALL INLET AND/OR OUTLET PIPES.
- THE ENDS OF ALL PIPES INSTALLED IN INLETS SHALL BE CUT OFF FLUSH WITH THE INSIDE FACE OF THE INLET WALL.
- INLET FRAME AND COVER TO BE DEETER #2014, EJW #1936 24, OR APPROVED EQUAL, SEE SW-303.
- CONTRACTOR SHALL REMOVE LIFTING HOOKS AFTER INSTALLATION. RECESSES IN INLET WALL SHALL BE GROUTED FLUSH TO THE INLET WALL WITH HYDRAULIC CEMENT AFTER THE INLET IS IN PLACE. LIFTING HOLES THRU THE INLET WALL WILL NOT BE ACCEPTED.

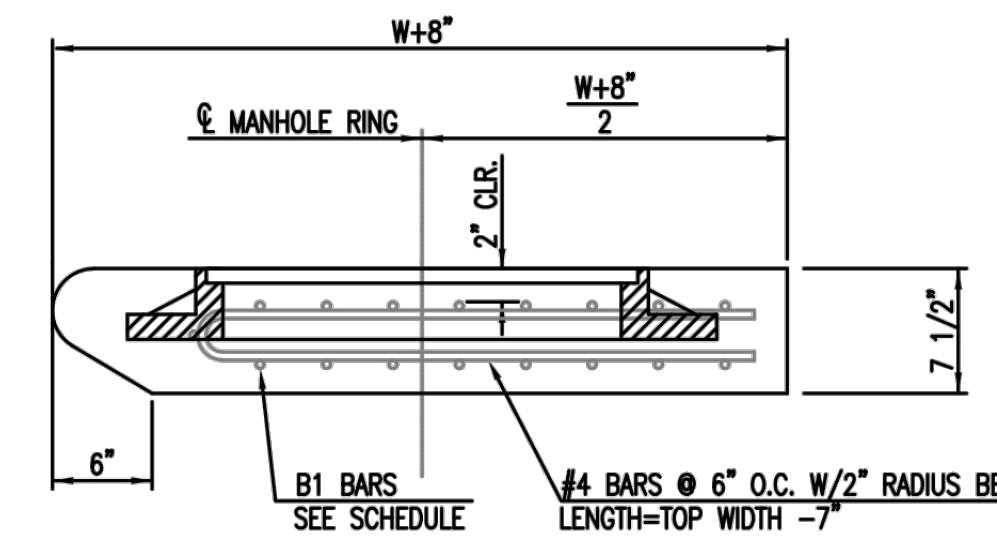


SECTION "C-C"

NOTES:
* SLOPE OF INLET TOP TO MATCH SIDEWALK OR PARKING SLOPES WITHIN LIMITS INDICATED.



SECTION "D-D"



REVISED: MARCH 2015

STANDARD TYPE 1 CURB INLET
5'-0" OR 10'-0" OPENING

CITY ENGINEER
GARY JANZEN, P.E.

PROJECT NUMBER OCA NUMBER DATE

CITY ENGINEER'S OFFICE SHEET

CITY HALL - SEVENTH FLOOR
455 NORTH MAIN STREET
WICHITA, KANSAS 67202-1620
(316) 268-4501

200 N. EMPORIA, SUITE 100
WICHITA, KANSAS 67202-4400-4309
PH: (316) 268-4501 | Fax: (316) 268-4509
info@kveeng.com | www.kveeng.com

KAW VALLEY ENGINEERING
KAW VALLEY ENGINEERING, INC. IS AUTHORIZED TO OFFER ENGINEERING SERVICES UNDER THE KANSAS STATE CERTIFICATE OF AUTHORIZATION # E-113. EXPIRES 12/31/16

SCOTT R. SERVIS
ENGINEER
KS # 17874

LA QUINTA INN
2660 N GREENWICH COURT
WICHITA, KANSAS

STANDARD DETAILS

PROJ. NO.	G15_0227
DESIGNER	SRS
DRAWN BY	EAM
CFN	0227DDET
SHEET	04
REV	0

PRELIM. SET FOR COW REVIEW

2-03-16

DATE

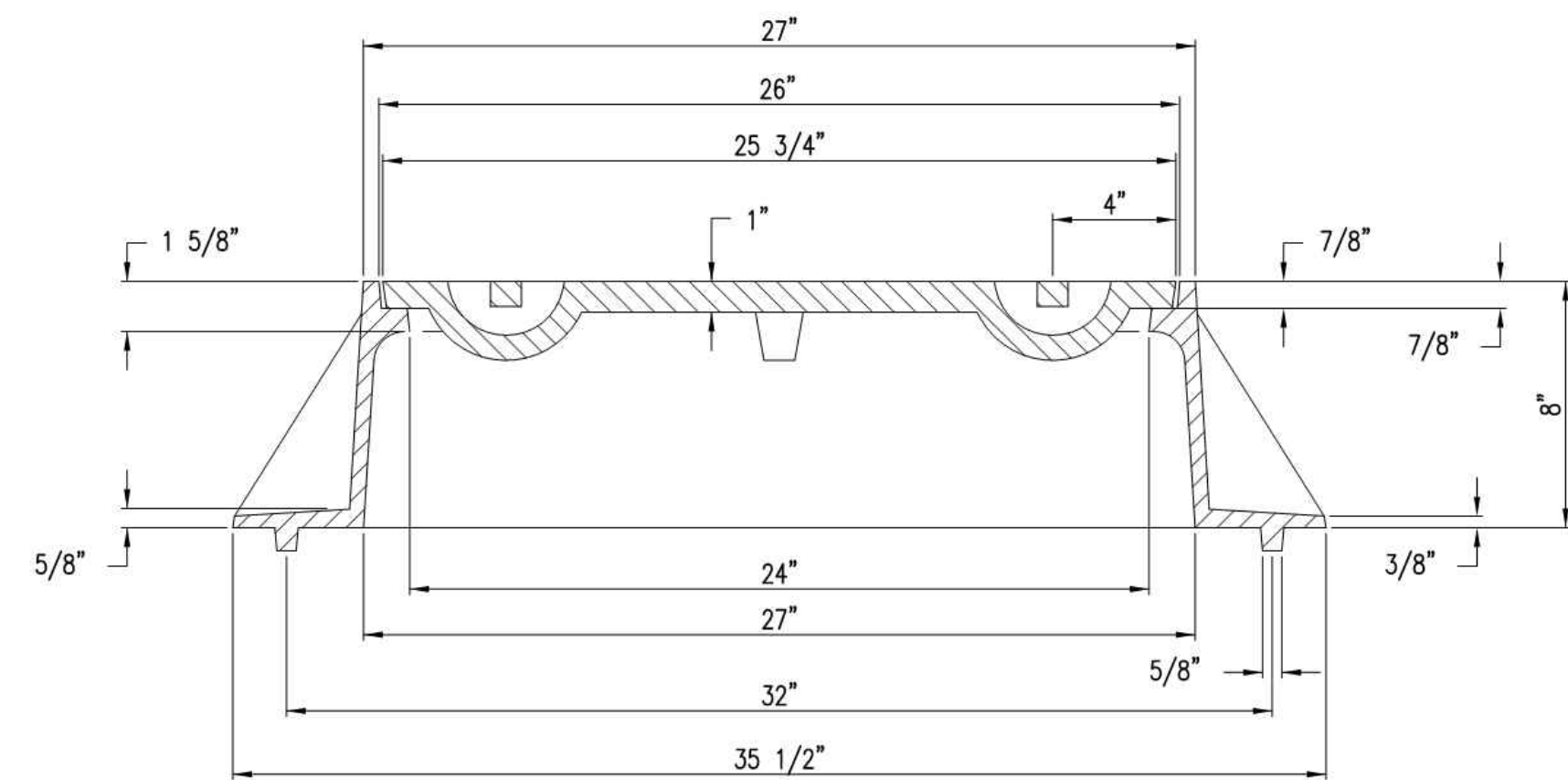
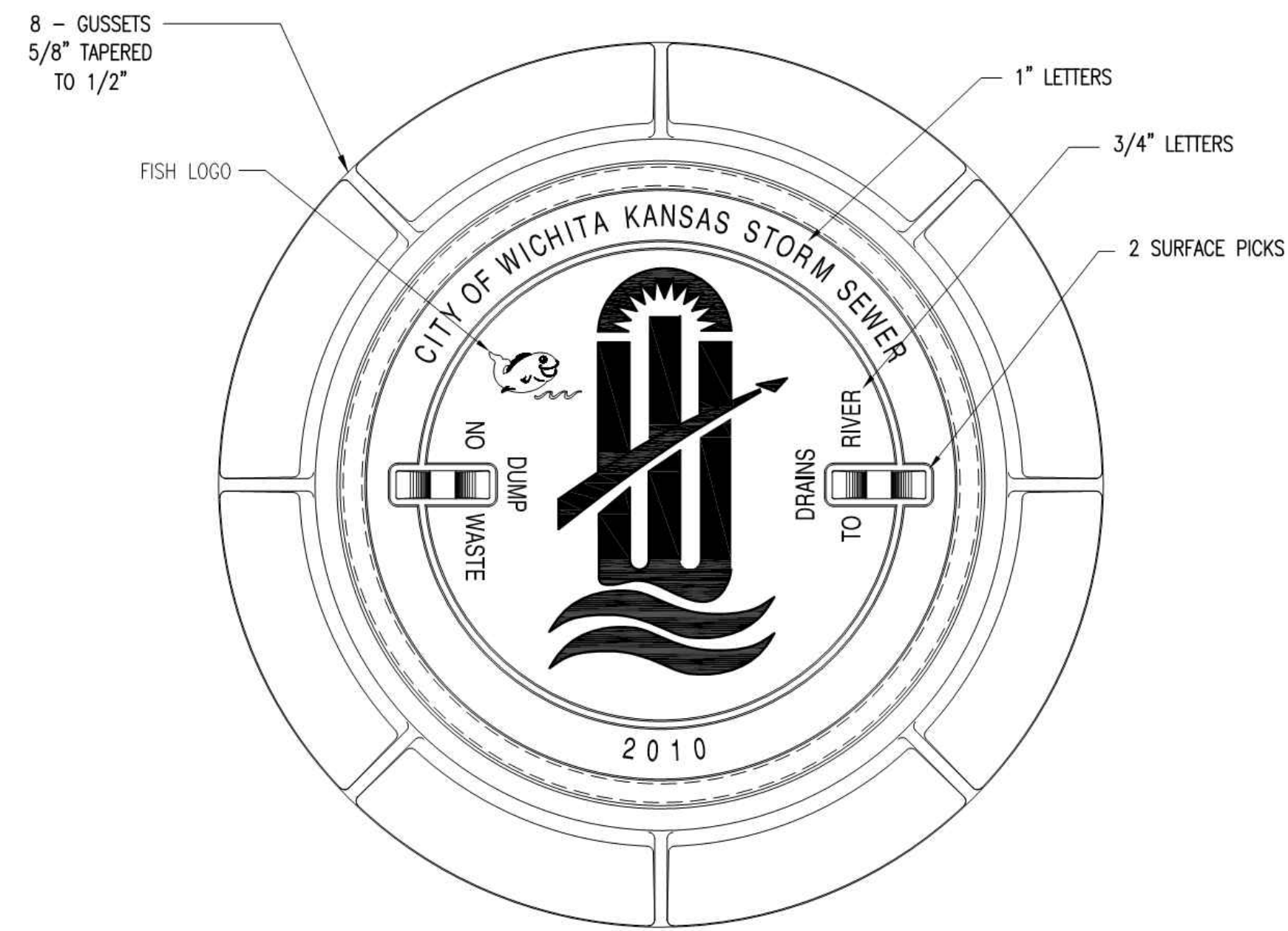
DESCRIPTION

CHK

DWN

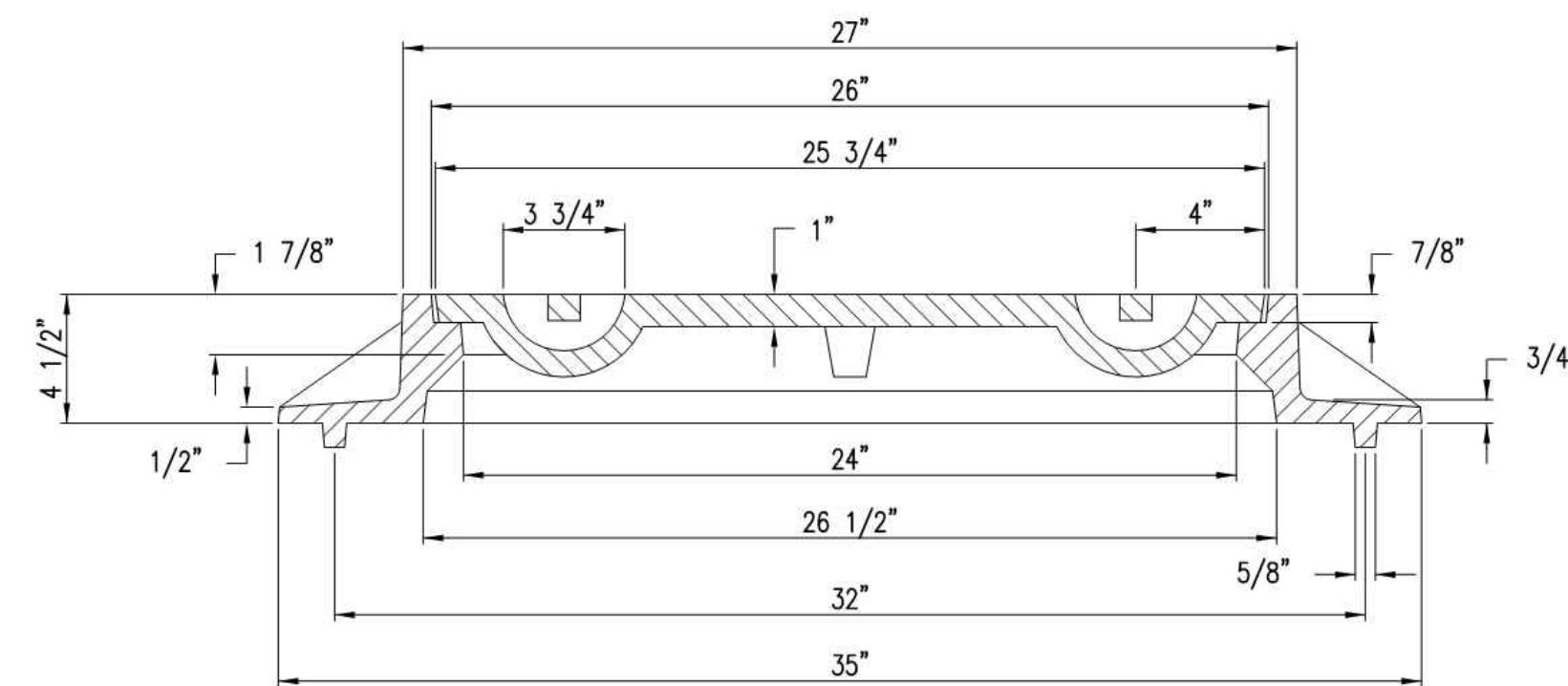
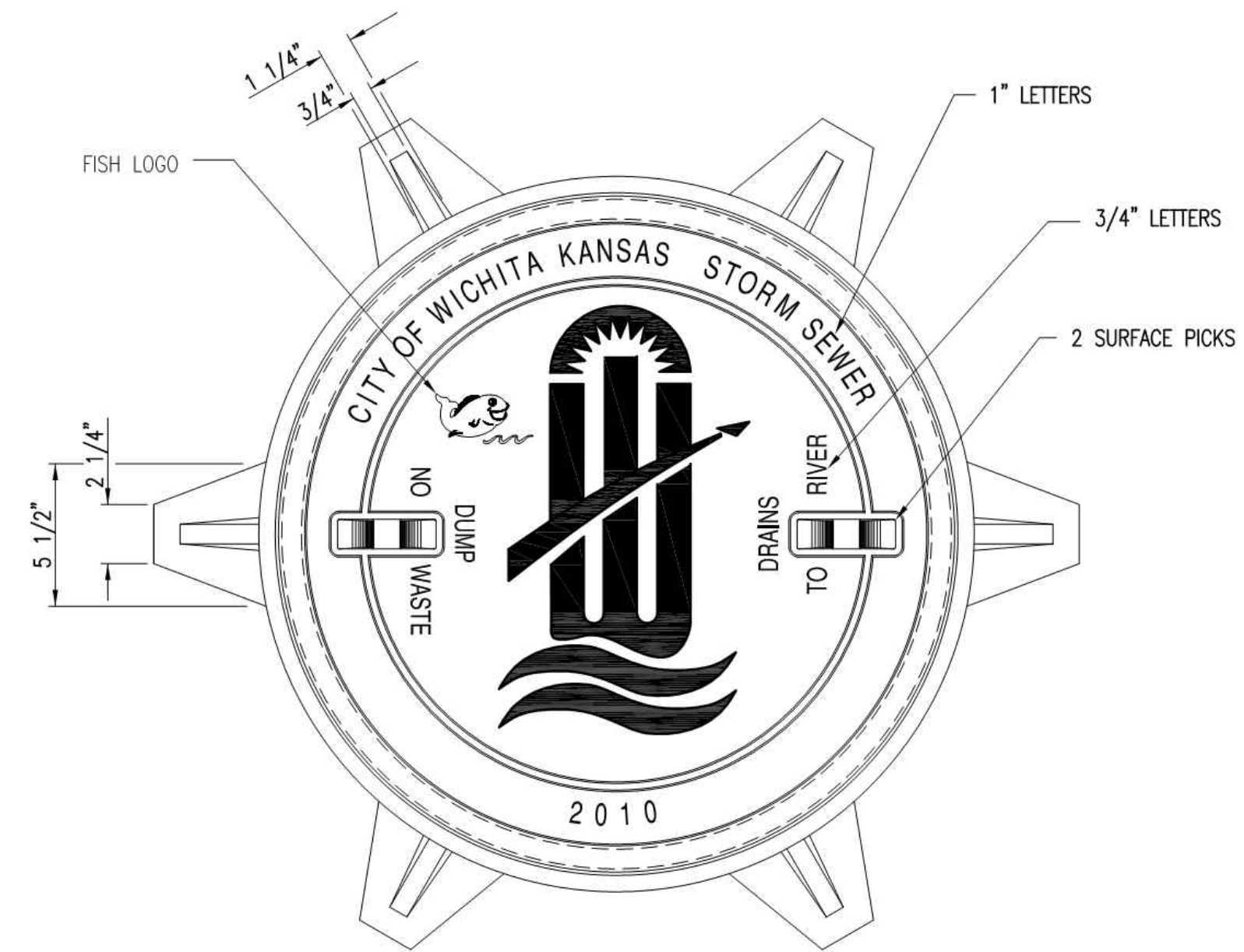
EAM

SRS



MANHOLE FRAME
DEETER #1261 OR EJIW #1936-Z1

- NOTE:
1. FURNISHED WITH MACHINED HORIZONTAL BEARING SURFACE.
 2. COVER TO BE DEETER #1261 OR EJIW #1936A.



INLET FRAME
DEETER #2014 OR EJIW #1936-Z4

- NOTE:
1. FURNISHED WITH MACHINED HORIZONTAL BEARING SURFACES.
 2. NOT TO BE USED UNDER PAVEMENT.
 3. COVER TO BE DEETER #1261 OR EJIW #1936A.

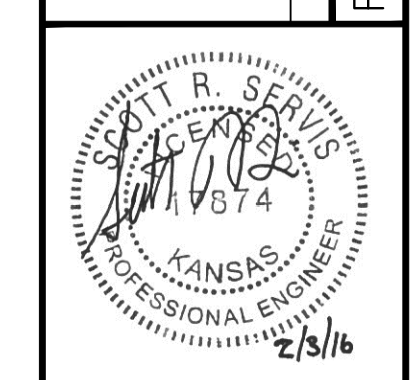


MANHOLE/INLET FRAME
AND COVER
(STORM SEWER)

CITY ENGINEER
GARY JANZEN, P.E.

PROJECT NUMBER	OCA NUMBER	DATE
		11/2010
CITY ENGINEER'S OFFICE		SHEET
CITY HALL - SEVENTH FLOOR 435 NORTH MAIN STREET WICHITA, KANSAS 67202-1620 (316) 268-4501		

LA QUINTA INN 2660 N GREENWICH COURT WICHITA, KANSAS	STANDARD DETAILS	PROJ. NO.	G15_0227
		DESIGNER	SRS
SHEET	REV	DATE	2-03-16
		DESCRIPTION	PRELIM SET FOR COW REVIEW
		REV	0
		DATE	2-03-16
		DESCRIPTION	PRELIM SET FOR COW REVIEW
		CHK	CHK
		DWN	DWN
		EAM	EAM

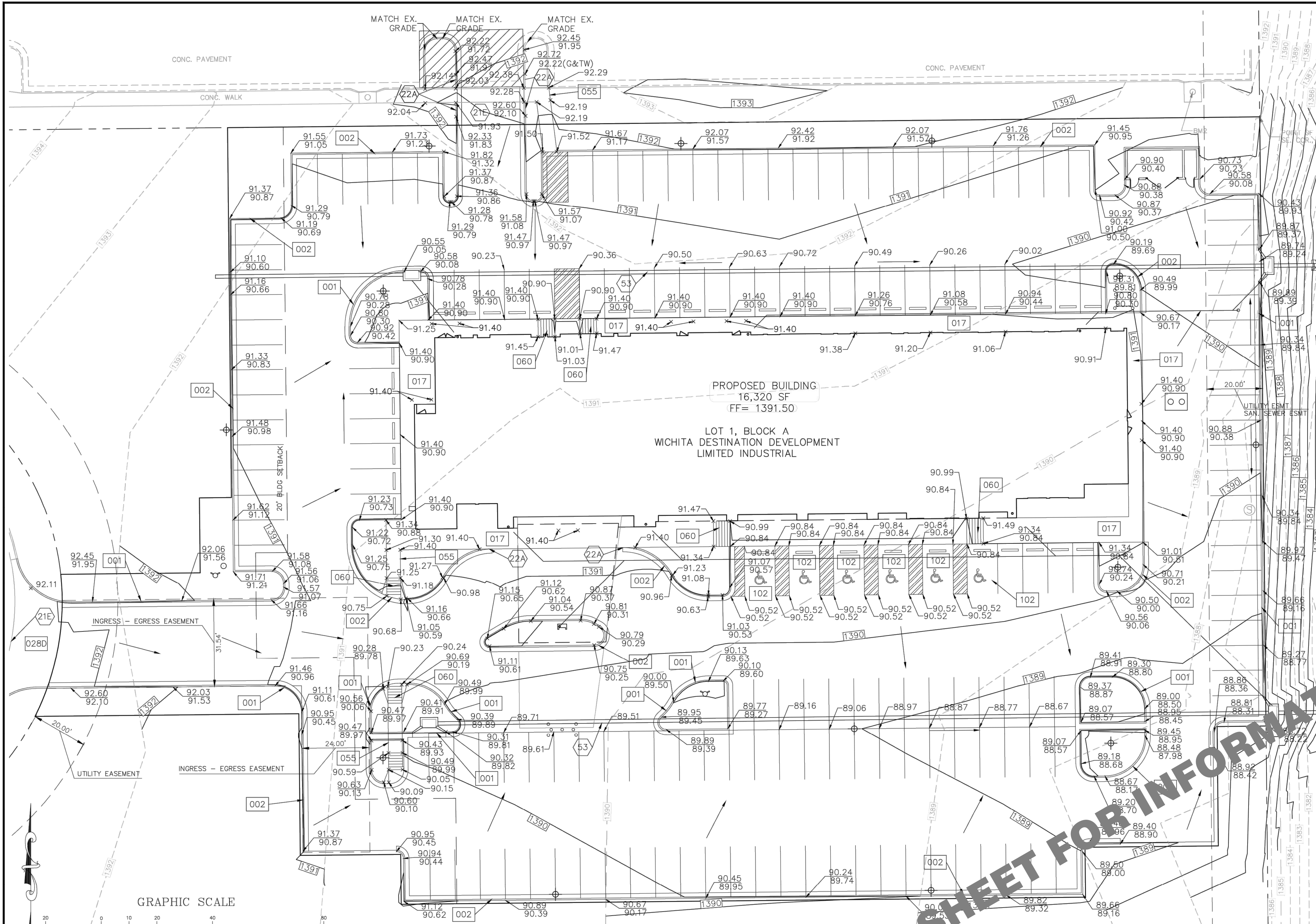


SCOTT R. SERVIS
ENGINEER
KS # 17874

200 N. EMPORIA, SUITE 100
WICHITA, KANSAS 67202-4400-4309
PH: (316) 268-4501 | www.kaveing.com | info@kaveing.com

KAW VALLEY ENGINEERING

KAW VALLEY ENGINEERING, INC. IS AUTHORIZED TO OFFER ENGINEERING SERVICES IN THE STATE OF KANSAS UNDER CERTIFICATE OF AUTHORIZATION # E-113. EXPIRES 12/31/16.



GRADING NOTES:

1. THE CONSTRUCTION AREA SHALL BE CLEARED, GRUBBED, AND STRIPPED OF TOPSOIL AND ORGANIC MATTER FROM ALL AREAS TO BE OCCUPIED BY BUILDING AND PAVING. TOPSOIL FOR REPLACEMENT ON SLOPES MAY BE STOCKPILED ON SITE. EXCESS TOPSOIL MAY BE WASTED IN FILL SLOPES PROVIDED THAT NO TOPSOIL BE WASTED WITHIN 10 FEET OF THE EDGE OF THE BUILDING OR PARKING AREA. BURNING OF TIMBER WILL NOT BE PERMITTED UNLESS APPROVAL IS OBTAINED FROM GOVERNING OFFICIALS. STRIPPING EXISTING TOPSOIL AND ORGANIC MATTER SHALL BE TO A MINIMUM DEPTH OF 6 INCHES.
2. AREAS TO RECEIVE FILL SHALL BE SCARIFIED AND THE TOP 8-INCH DEPTH COMPACTED TO 95% STANDARD PROCTOR DENSITY. ANY UNSUITABLE AREAS SHALL BE UNDERCUT AND REPLACED WITH SUITABLE MATERIAL BEFORE ANY FILL MATERIAL CAN BE APPLIED.
3. OFF-SITE FILL MATERIAL SHALL HAVE A PLASTICITY INDEX OF 25 OR LESS, A LIQUID LIMIT OF 45 OR LESS AND CONTAIN NO ROCK LARGER THAN FOUR INCHES. OFF-SITE FILL MATERIAL SHALL BE APPROVED BY THE OWNER PRIOR TO BRINGING ON SITE.
4. EARTHWORK UNDER THE BUILDING SHALL COMPLY WITH THE PROJECT ARCHITECTURAL PLANS. OTHER FILL MATERIAL SHALL BE MADE IN LIFTS NOT EXCEED EIGHT INCHES DEPTH COMPACTED TO 95% STANDARD PROCTOR DENSITY. FILL MATERIAL MAY INCLUDE ROCK FROM ON-SITE EXCAVATION IF CAREFULLY PLACED SO THAT LARGE STONES ARE WELL DISTRIBUTED AND VOIDS ARE COMPLETELY FILLED WITH SMALLER STONES, EARTH, SAND OR GRAVEL TO FURNISH A SOLID EMBANKMENT. NO ROCK LARGER THAN THREE INCHES IN ANY DIMENSION NOR ANY SHALE SHALL BE PLACED IN THE TOP 12 INCHES OF EMBANKMENT.
5. AREAS THAT ARE TO BE CUT TO SUBGRADE LEVELS SHALL BE PROOF ROLLED WITH A MODERATELY HEAVY LOADED DUMP TRUCK OR SIMILAR APPROVED CONSTRUCTION EQUIPMENT TO DETECT UNSUITABLE SOIL CONDITIONS.
6. IN ALL AREAS OF EXCAVATION, IF UNSUITABLE SOIL CONDITIONS ARE ENCOUNTERED, A QUALIFIED GEOTECHNICAL ENGINEER SHALL RECOMMEND TO THE OWNER THE METHODS OF UNDERCUTTING AND REPLACEMENT OF PROPERLY COMPACTED APPROVED FILL MATERIAL. ALL PROOFROLLING AND UNDERCUTTING SHOULD BE PERFORMED DURING A PERIOD OF DRY WEATHER.
7. THE CONTRACTOR SHALL BE RESPONSIBLE FOR THE CONTROL OF DUST AND DIRT RISING AND SCATTERING IN THE AIR DURING CONSTRUCTION AND SHALL PROVIDE WATER SPRINKLING OR OTHER SUITABLE METHODS OF CONTROL. THE CONTRACTOR SHALL COMPLY WITH ALL GOVERNING REGULATIONS PERTAINING TO ENVIRONMENTAL PROTECTION.
8. ALL SLOPES ARE TO BE 3:1 OR FLATTER UNLESS OTHERWISE INDICATED.
9. ALL SLOPES EXCEEDING 3:1 SHALL BE PROTECTED BY RIP RAP, CONCRETE PAVING, OR OTHER METHODS INDICATED ON THESE PLANS, THAT WILL PREVENT EROSION AND PLACED SUCH THAT THE SURFACE IS FLUSH WITH SURROUNDING GROUND AND SHAPED TO CHANNEL WATER IN DIRECTIONS INDICATED.
10. ALL SLOPES AND AREAS DISTURBED BY CONSTRUCTION SHALL BE GRADED SMOOTH AND FOUR INCHES OF TOPSOIL APPLIED. IF ADEQUATE TOPSOIL IS NOT AVAILABLE ON-SITE, THE CONTRACTOR SHALL PROVIDE TOPSOIL, APPROVED BY THE OWNER, AS NEEDED. THE AREA SHALL THEN BE SEED, FERTILIZED, MULCHED, WATERED AND MAINTAINED UNTIL HARDY GRASS GROWTH IS ESTABLISHED IN ALL AREAS. ANY AREAS DISTURBED FOR ANY REASON SHALL BE CORRECTED BY THE CONTRACTOR AT NO ADDITIONAL COST TO THE OWNER PRIOR TO FINAL ACCEPTANCE OF THE PROJECT.
11. CONTRACTOR SHALL USE SILT FENCE, BALES OF HAY OR OTHER MEANS OF CONTROLLING EROSION ALONG THE EDGE OF THE PROPERTY OR OTHER BOTTOM OF SLOPE LOCATIONS.
12. CONTRACTOR IS TO REMOVE AND DISPOSE OF ALL DEBRIS, RUBBISH AND OTHER MATERIALS RESULTING FROM PREVIOUS AND CURRENT DEMOLITION OPERATIONS.
13. THE CONTRACTOR SHALL TAKE ALL PRECAUTIONS NECESSARY TO AVOID PROPERTY DAMAGE TO ADJACENT PROPERTIES DURING THE CONSTRUCTION PHASES OF THIS PROJECT. THE CONTRACTOR WILL BE HELD SOLELY RESPONSIBLE FOR ANY DAMAGES TO THE ADJACENT PROPERTIES OCCURRING DURING THE CONSTRUCTION PHASES OF THIS PROJECT.
14. IT IS THE DUTY OF THE ENGINEER OR THE OWNER TO REVIEW THE SAFETY MEASURES OF THE CONTRACTOR'S SAFETY MEASURES, IN, ON OR NEAR THE CONSTRUCTION SITE AT ANY TIME DURING CONSTRUCTION.
15. THE CONTRACTOR SHALL MEET OR EXCEED SITEWORK SPECIFICATIONS.
16. PIPE LENGTHS ARE CENTER TO CENTER OF STRUCTURE OR TO END OF END SECTIONS.
17. HANDICAP STALLS SHALL MEET ADA REQUIREMENTS AND SHALL NOT EXCEED 2% SLOPE IN ANY DIRECTION AT THE BUILDING ENTRY AND ACCESSIBLE PARKING STALLS. SLOPES EXCEEDING 2.0% WILL BE REPLACED AT THE CONTRACTOR'S EXPENSE.

NOTE:

1. CONTRACTOR SHALL REFER TO ARCHITECTURAL PLANS FOR EXACT LOCATIONS AND DIMENSIONS OF ENTRANCE, SLOPED PAVING, EXIT PORCHES, RAMPS, TRUCK DOCKS, PRECISE BUILDING DIMENSIONS AND EXACT BUILDING UTILITY ENTRANCE LOCATIONS.
2. THESE PLANS HAVE NOT BEEN VERIFIED WITH FINAL ARCHITECTURAL CONTRACT DRAWINGS. CONTRACTOR SHALL VERIFY AND NOTIFY THE ENGINEER OF ANY DISCREPANCIES. CONTRACTOR IS FULLY RESPONSIBLE FOR REVIEW AND COORDINATION OF ALL DRAWINGS AND CONTRACT DOCUMENTS.

SAFETY NOTICE TO CONTRACTOR

IN ACCORDANCE WITH GENERALLY ACCEPTED CONSTRUCTION PRACTICES, THE CONTRACTOR WILL BE SOLELY AND COMPLETELY RESPONSIBLE FOR CONDITIONS OF THE JOB SITE, INCLUDING SAFETY OF ALL PERSONS AND PROPERTY DURING PERFORMANCE OF THE WORK. THIS REQUIREMENT WILL APPLY CONTINUOUSLY AND NOT BE LIMITED TO NORMAL WORKING HOURS.

WARRANTY / DISCLAIMER

THE DESIGNS REPRESENTED IN THESE PLANS ARE IN ACCORDANCE WITH ESTABLISHED PRACTICES OF CIVIL ENGINEERING FOR THE DESIGN FUNCTIONS AND USES INTENDED BY THE OWNER AT THIS TIME. HOWEVER, NEITHER KAW VALLEY ENGINEERING, INC NOR ITS PERSONNEL CAN OR DO WE WARRANT THESE DESIGNS OR PLANS AS CONSTRUCTED, EXCEPT IN THE SPECIFIC CASES WHERE KAW VALLEY ENGINEERING PERSONNEL INSPECT AND CONTROL THE PHYSICAL CONSTRUCTION ON A CONTEMPORARY BASIS AT THE SITE.

CAUTION - NOTICE TO CONTRACTOR

THE CONTRACTOR IS SPECIFICALLY CAUTIONED THAT THE LOCATION AND/OR ELEVATION OF EXISTING UTILITIES AS SHOWN ON THESE PLANS IS BASED ON RECORDS OF THE VARIOUS UTILITY COMPANIES AND, WHERE POSSIBLE, MEASUREMENTS TAKEN IN THE FIELD. THE INFORMATION IS NOT TO BE RELIED ON AS BEING EXACT OR COMPLETE. THE CONTRACTOR MUST CALL THE APPROPRIATE UTILITY COMPANY AT LEAST 72 HOURS BEFORE ANY EXCAVATION TO REQUEST EXACT FIELD LOCATION OF UTILITIES. IT SHALL BE THE RESPONSIBILITY OF THE CONTRACTOR TO RELOCATE ALL EXISTING UTILITIES WHICH CONFLICT WITH PROPOSED IMPROVEMENTS SHOWN ON THE PLANS. THE CONTRACTOR SHALL EXPOSE EXISTING UTILITIES AT LOCATIONS OF POSSIBLE CONFLICT PRIOR TO ANY CONSTRUCTION.

LEGAL DESCRIPTION
 PARCEL 4:
 ALL THAT PART OF LOT 1, BLOCK A, WICHITA DESTINATION DEVELOPMENT, AN ADDITION TO THE CITY OF WICHITA, SEDGWICK COUNTY, KANSAS, MORE PARTICULARLY DESCRIBED AS FOLLOWS: BEGINNING AT A POINT ON THE EAST LINE OF SAID LOT 1, SAID POINT ALSO BEING THE SOUTHEAST CORNER OF PARCEL 1 AS SHOWN ON LOT SPLIT, LOT 1, BLOCK A, WICHITA DESTINATION DEVELOPMENT, RECORDED AS DOC # 29532322 IN THE OFFICE OF THE REGISTER OF DEEDS, SEDGWICK COUNTY, KANSAS; THENCE SOUTH 00°35'43" EAST, COINCIDENT WITH THE EAST LINE OF SAID LOT 1, A DISTANCE OF 219.00 FEET; THENCE DEPARTING SAID EAST LINE, SOUTH 89°24'17" WEST, 17.58 FEET; THENCE SOUTH 00°35'43" EAST, 43.00 FEET; THENCE SOUTH 89°24'17" WEST, 47.92 FEET; THENCE SOUTH 00°35'43" EAST, 18.00 FEET; THENCE SOUTH 89°24'17" WEST, 246.00 FEET; THENCE NORTH 00°35'43" WEST, 18.00 FEET; THENCE SOUTH 89°24'17" WEST, 36.08 FEET; THENCE NORTH 00°35'43" WEST, 51.01 FEET; THENCE SOUTH 89°24'17" WEST, 94.81 FEET TO A POINT ON THE EASTERLY RIGHT-OF-WAY LINE OF GREENWICH COURT, AS IT NOW EXISTS; THENCE NORTHEASTERLY, COINCIDENT WITH SAID EASTERLY RIGHT-OF-WAY LINE, ALONG A CURVE TO THE LEFT HAVING A RADIUS OF 92 FEET, A CHORD BEARING OF NORTH 10°15'31" EAST AND A CHORD LENGTH OF 51.93 FEET, FOR AN ARC DISTANCE OF 52.64 FEET; THENCE DEPARTING SAID EASTERLY RIGHT-OF-WAY, NORTH 89°24'17" EAST, 50.11 FEET; THENCE NORTH 00°35'43" WEST, 26.99 FEET; THENCE NORTH 89°24'17" EAST, 11.50 FEET; THENCE NORTH 00°35'43" WEST, 133.00 FEET TO A POINT ON THE SOUTH LINE OF PARCEL 1 OF SAID LOT SPLIT; THENCE NORTH 89°24'17" EAST, COINCIDENT WITH SAID SOUTH LINE, 371.00 FEET TO THE POINT OF BEGINNING.

SITE BENCHMARKS:
 BM1: CHISELED SQUARE CUT ON SOUTH CURB OF 27TH STREET, APPROXIMATELY 690 FEET EAST OF INTERSECTION OF 27TH STREET AND GREENWICH ROAD.
 ELEV. = 1378.40 (TO CONVERT TO NAVD 88 SUBTRACT 0.63')
 BM2: TOP OF THE CENTER OF CURB INLET MANHOLE LID LOCATED 9 FEET +/- NORTH AND 24 FEET +/- WEST OF NE CORNER OF THE PROPERTY.
 ELEV. = 1391.81 (TO CONVERT TO NAVD 88 SUBTRACT 0.63')

GRAPHIC SCALE
 (IN FEET)
 1 inch = 20 ft.

UTILITIES:
 GAS SERVICE: KANSAS GAS SERVICE, 1021 E. 26TH ST. NORTH, WICHITA, KANSAS 67219, (316)832-3126, JAMES COE
 TELEPHONE SERVICE: AT&T DISTRIBUTION, 154 N. BROADWAY, WICHITA, KANSAS 67202, (316)268-2245, JOHN FAGEN
 ELECTRIC SERVICE: WESTAR ENERGY, WICHITA, KANSAS, (316)261-6320, BECKY THOMPSON
 CABLE TELEVISION SERVICE: COX COMMUNICATIONS, 701 EAST DOUGLAS, WICHITA, KANSAS 67202, (316)262-4270/263-2061
 WATER & SANITARY SEWER SERVICE: WICHITA WATER DEPARTMENT, 455 NORTH MAIN, 8TH FLOOR, WICHITA, KANSAS 67202, (316)268-4555, GREG / LADONNA

CALL BEFORE YOU DIG - DRILL - BLAST
 800-344-7233 (DIG-SAFE)
 (316) 687-3753 (FAX)

KANSAS ONE-CALL SYSTEMS, INC.

LEGEND (PROPOSED)

- 82.90' ELEVATION (ADD 1300) X TOP OF PAVEMENT
- 83.60' TOP OF CURB (ADD 1300)
- 83.10' FLOWLINE OF CURB (ADD 1300)
- FLOW DIRECTION
- 1300' FINISHED 1' CONTOUR INTERVALS, TOP OF PAVEMENT
- DETAILS - SEE DETAIL SHEETS NO. C6.2-C6.3 FOR THE FOLLOWING DETAILS

LEGEND (EXISTING)

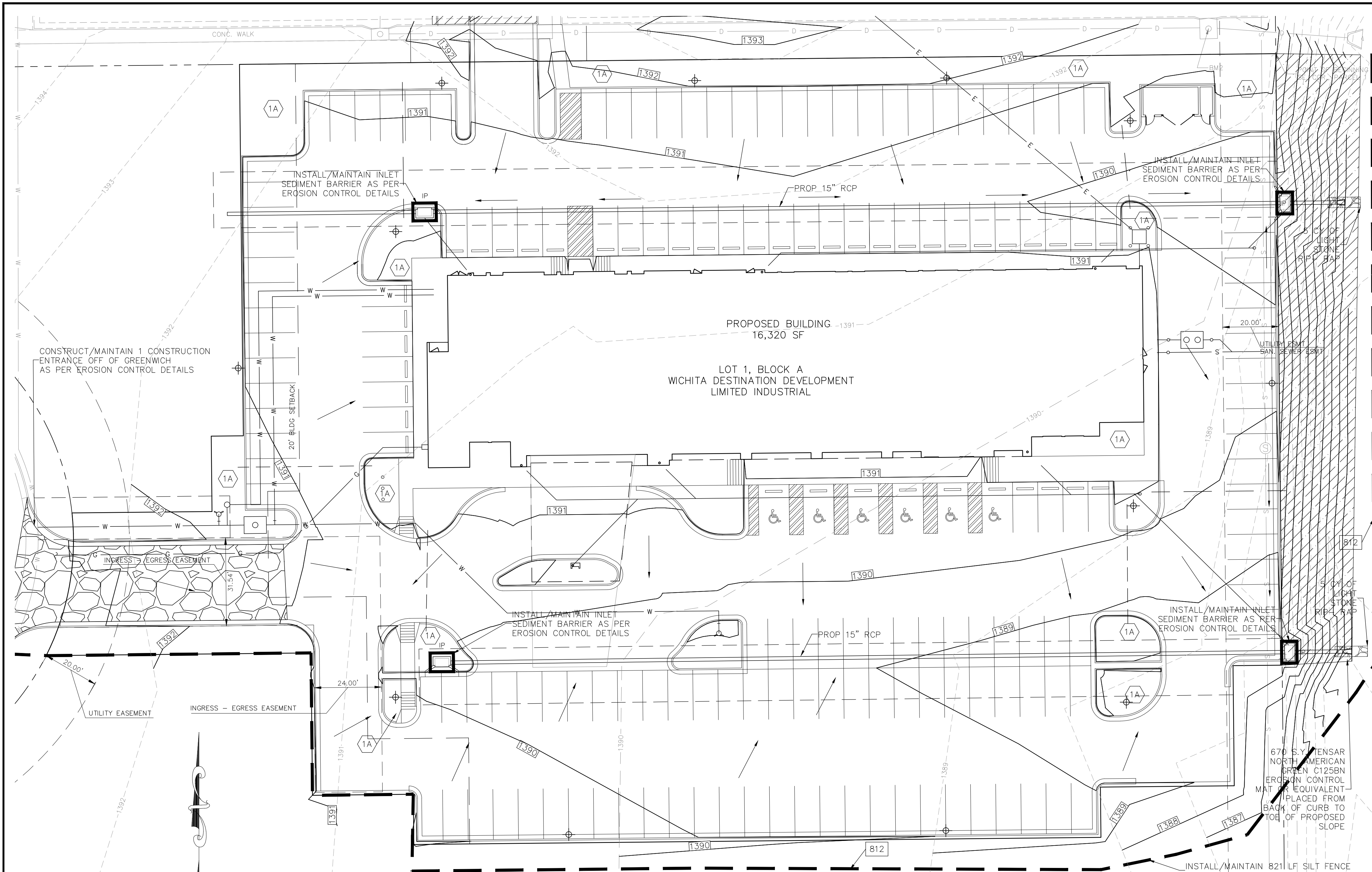
- 001 CONCRETE CURB AND GUTTER
- 002 CONCRETE CURB AND GUTTER W/ REVERSE FLOW IN GUTTER
- 017 CURB WALK/CURB (AT BUILDING)
- 055 CONCRETE SIDEWALK
- 028D DRIVE ENTRANCE
- 060 SIDEWALK RAMP
- 102 90" ACCESSIBLE & VAN ACCESSIBLE SPACE STRIPING

NOTES:

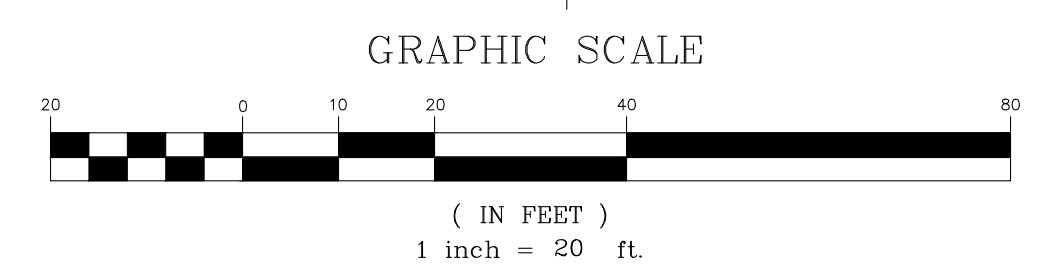
- 21E SAW CUT & REMOVE EXISTING CURB AND GUTTER & MATCH EXISTING CROSS-SLOPE
- 22A TAPER CURB FROM 6" TO 0" IN 5'-0"
- 53 STORM SEWER PIPE

SIDEWALK DETAIL THROUGH THE MEDIAN (NOT TO SCALE)

CHK	CHK	CHK	CHK
EAM	DWN	DSN	SRS
PRELIM SET FOR COW REVIEW	REV	DATE	DESCRIPTION
0	2-3-16		
SCOTT R. SERVIS ENGINEER KS # 17874			
KAW VALLEY ENGINEERING, INC. IS AUTHORIZED TO OFFER ENGINEERING SERVICES BY KANSAS STATE CERTIFICATE OF AUTHORIZATION # E-113. EXPIRES 12/31/16.			
G15 0227 2660 N GREENWICH COURT WICHITA, KANSAS			
GRADING PLAN			
PROJ. NO.	DESIGNER	DRAWN BY	
CFN	SRS	EAM	
SHEET	0227GP	REV	
	C2.1	0	



- GENERAL NOTES:**
- PROPERTY LINE IS LIMITS OF CONSTRUCTION EXCEPT AS SHOWN.
 - THE CONTRACTOR SHALL INSTALL EROSION CONTROL MEASURES AS SHOWN ON THE DRAWINGS PRIOR TO BEGINNING EARTHWORK OPERATIONS.
 - THE CONTRACTOR SHALL MAINTAIN ALL SILT CONTROL MEASURES DURING CONSTRUCTION.
 - ALL SILT SHALL REMAIN ON SITE AND SURROUNDING STREETS SHALL BE KEPT CLEAR OF ALL MUD AND DEBRIS.
 - A SEDIMENTATION BARRIER IS TO BE INSTALLED AS SHOWN.
 - ACCUMULATED SEDIMENT SHALL BE REMOVED AND THE SEDIMENTATION BARRIERS MAINTAINED AS NEEDED TO PREVENT SEDIMENTATION BYPASS OF THE BARRIER.
 - SLOPES ARE TO BE LEFT IN A ROUGH CONDITION DURING GRADING.
 - CURB INLET SEDIMENTATION BARRIERS ARE TO BE INSTALLED AROUND INLETS AND WEIRS WHERE SEDIMENTATION IS A CONCERN. INLET BARRIERS SHALL BE EITHER BLOCK AND GRAVEL, OR SECURED STRAW BALES, OR SILT FENCE.
 - SEDIMENT IS TO BE REMOVED FROM STORM WATER DRAINAGE SYSTEMS.
 - RIPRAP IS TO BE INSTALLED AT AREAS OF CONCENTRATED FLOW (I.E. CULVERT OUTLETS).
 - CONTRACTOR IS RESPONSIBLE FOR INSTALLING ANY ADDITIONAL EROSION CONTROL AS HE/SHE DEEMS NECESSARY.
 - THE CONTRACTOR SHALL PROVIDE ALL MATERIALS, TOOLS, EQUIPMENT AND LABOR AS NECESSARY TO INSTALL AND MAINTAIN ADEQUATE EROSION AND SILTATION CONTROLS REQUIRED TO PREVENT SOIL EROSION FROM LEAVING THE PROJECT SITE. IT SHALL BE THE CONTRACTOR'S SOLE RESPONSIBILITY TO ENSURE THAT METHODS UTILIZED ARE ADEQUATE AND COMPLY WITH REQUIREMENTS OF THE SPECIFICATIONS AND GOVERNMENTAL AGENCIES HAVING JURISDICTION OVER THE WORK.
 - TEMPORARY SEDIMENT FENCE/STRAW BALES TO REMAIN UNTIL ADEQUATE VEGETATION IS ESTABLISHED.
 - MUD AND DEBRIS SHALL BE CLEANED UP AT THE CONCLUSION OF EACH WORKING DAY, OR AFTER EACH RAINFALL IF SILT IS PRESENT.
 - INSPECTION, MAINTENANCE AND REPAIR OF EROSION CONTROL DEVICES SHALL BE ON GOING THROUGHOUT THE LIFE OF BUILDING CONSTRUCTION TO KEEP THE DEVICES IN OPERABLE CONDITION AT ALL TIMES. ADDITIONAL MEASURES SHALL BE INSTALLED AS REQUIRED BY ACTUAL FIELD CONDITIONS AND/OR GOVERNING INSPECTION AGENCIES.
 - INSTALL CONSTRUCTION ENTRANCE AT ANY POINT WHERE TRAFFIC WILL BE ENTERING OR LEAVING THE SITE AND AS SHOWN ON PLANS.
 - AT COMPLETION OF SITE GRADING AND OTHER RELATED CONSTRUCTION ACTIVITIES, ALL DISTURBED AREAS WITHIN THE PROJECT SITE SHALL BE SEEDED, SODDED, OR LANDSCAPED AS SHOWN ON THE LANDSCAPE PLAN WITHIN 14 DAYS.
 - TOPSOIL IS TO BE PLACED IN AREAS UNSUITABLE FOR VEGETATIVE GROWTH.
 - STRIP TOPSOIL PRIOR TO EXCAVATION, STOCKPILE AND SPREAD ONTO DISKED SUBGRADE (4" MIN) A THICKNESS OF 4 INCHES.
 - ROCK LINING (RIPRAP) SHALL BE DURABLE STONE CONTAINING A COMBINED TOTAL OF NOT MORE THAN 10 PERCENT OF EARTH, SAND, SHALE AND NON-DURABLE ROCK. AT LEAST 60 PERCENT OF THE MASS SHALL BE OF PIECES HAVING A MINIMUM WEIGHT OF 150 POUNDS OR MORE PER CUBIC FOOT.
 - THE CONTRACTOR SHALL HAVE THE RESPONSIBILITY FOR RESOLVING COMPLAINTS IN THE EVENT THAT COMPLAINTS OR DAMAGE CLAIMS ARE FILED DUE TO DAMAGES OCCURRING ADJACENT TO OR DOWNSTREAM FROM PROPERTY BY SEDIMENT RESULTING FROM EROSION ON THE PROJECT SITE.
 - GOOD HOUSEKEEPING PRACTICES SHALL BE MAINTAINED ON SITE TO KEEP SOLID WASTE FROM ENTRY INTO WATERS.
 - ALL FUELING FACILITIES PRESENT ON SITE SHALL ADHERE TO APPLICABLE FEDERAL AND STATE REQUIREMENTS CONCERNING UNDERGROUND STORAGE, ABOVE GROUND STORAGE AND DISPENSERS, INCLUDING SPILL PREVENTION, CONTROL AND COUNTER MEASURES.
 - RIGHT OF WAY TO BE STABILIZED AS REQUIRED BY APWA SECTION 2400.
 - EROSION CONTROL IS TO BE PLACED IN PHASING AS CONSTRUCTION PROGRESSES.
 - MINIMAL WASHING OF CONCRETE EQUIPMENT ALLOWED, CHUTE ETC. CONCRETE WASHOUT OF THE DRUM IS NOT ALLOWED. ANY PIT/WASHOUT AREA NEEDS TO BE MAINTAINED IN A NON-DISCHARGING MANNER AND ANY WASTE RESIDUE WILL NEED TO BE CLEANED OUT AND REMOVED AT THE END OF PROJECT.
 - CONTRACTOR/DEVELOPER IS RESPONSIBLE FOR HAVING LOT BUILDERS FOLLOW THE GUIDELINES OF "CONTROLLING EROSION WHEN BUILDING YOUR HOME" PROVIDED BY KANSAS DEPARTMENT OF HEALTH AND ENVIRONMENT.
 - EROSION CONTROL SEDIMENT FENCE TO BE INSTALLED 1'-0" BEHIND CURB & GUTTER UPON COMPLETION OF BACKFILL OF CURB IN ALL AREAS WHERE SLOPES FROM LOT DRAIN TOWARDS CURB. UPON COMPLETION OF FINAL GRADING THE TOES OF ALL EMBANKMENTS IN EXCESS OF TWO FEET IN HEIGHT WILL HAVE EROSION CONTROL SEDIMENT FENCE INSTALLED.



- EROSION & PROPOSED IMPROVEMENTS LEGEND:**
- - - - -1318- - - - - EXISTING GROUND CONTOUR (1' INTERVALS)
 - 1318——— PROPOSED FINISHED GROUND CONTOUR (1' INTERVALS)
 - SEDIMENTATION FENCE
 - PROPOSED FLOW ARROW
 - IP INLET SEDIMENT BARRIER

- DETAILS - SEE DETAIL SHEET NO. C5.1-C5.5, C6.4-C6.6 FOR THE FOLLOWING DETAILS
- 812 SEDIMENTATION FENCE

- NOTES:
- 1A SEEDED LANDSCAPE AREA - SEE CONSTRUCTION NOTES

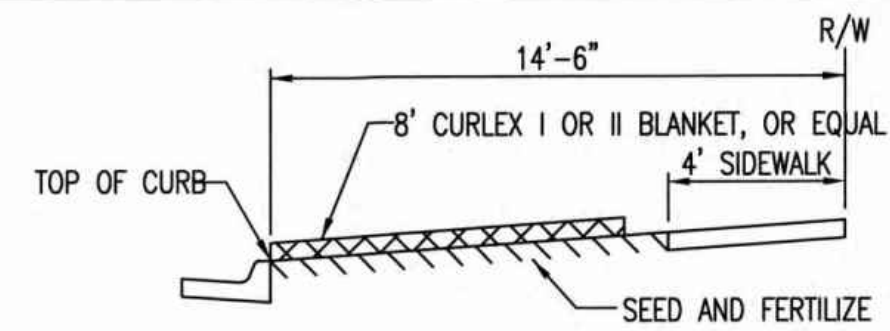
USE PROVIDED EROSION CONTROL FOR INFORMATION ONLY! THE CONTRACTOR SHALL BE RESPONSIBLE FOR MAINTAINING EROSION CONTROL.

CAUTION - NOTICE TO CONTRACTOR
 THE CONTRACTOR IS SPECIFICALLY CAUTIONED THAT THE LOCATION AND/OR ELEVATION OF EXISTING UTILITIES AS SHOWN ON THESE PLANS IS BASED ON RECORDS OF THE VARIOUS UTILITY COMPANIES AND, WHERE POSSIBLE, MEASUREMENTS TAKEN IN THE FIELD. THE INFORMATION IS NOT TO BE RELIED ON AS BEING EXACT OR COMPLETE. THE CONTRACTOR MUST CALL THE APPROPRIATE UTILITY COMPANY AT LEAST 72 HOURS BEFORE ANY EXCAVATION TO REQUEST EXACT FIELD LOCATION OF UTILITIES. IT SHALL BE THE RESPONSIBILITY OF THE CONTRACTOR TO RELOCATE ALL EXISTING UTILITIES WHICH CONFLICT WITH PROPOSED IMPROVEMENTS SHOWN ON THE PLANS. THE CONTRACTOR SHALL EXPOSE EXISTING UTILITIES AT LOCATIONS OF POSSIBLE CONFLICTS PRIOR TO ANY CONSTRUCTION.

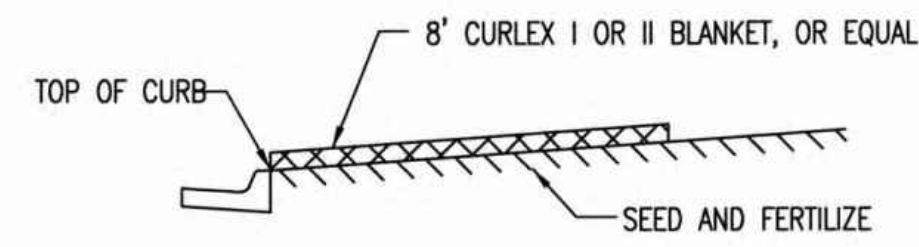
SAFETY NOTICE TO CONTRACTOR
 IN ACCORDANCE WITH GENERALLY ACCEPTED CONSTRUCTION PRACTICES, THE CONTRACTOR WILL BE SOLELY AND COMPLETELY RESPONSIBLE FOR CONDITIONS OF THE JOB SITE, INCLUDING SAFETY OF ALL PERSONS AND PROPERTY DURING PERFORMANCE OF THE WORK. THIS REQUIREMENT WILL APPLY CONTINUOUSLY AND NOT BE LIMITED TO NORMAL WORKING HOURS.

WARRANTY / DISCLAIMER
 THE DESIGNS REPRESENTED IN THESE PLANS ARE IN ACCORDANCE WITH ESTABLISHED PRACTICES OF CIVIL ENGINEERING FOR THE DESIGN FUNCTIONS AND USES INTENDED BY THE OWNER AT THIS TIME. HOWEVER, NEITHER KAW VALLEY ENGINEERING, INC NOR ITS PERSONNEL CAN OR DO WARRANTY THESE DESIGNS OR PLANS AS CONSTRUCTED, EXCEPT IN THE SPECIFIC CASES WHERE KAW VALLEY ENGINEERING PERSONNEL INSPECT AND CONTROL THE PHYSICAL CONSTRUCTION ON A CONTEMPORARY BASIS AT THE SITE.

CHK	CHK		
EAM	DWN		
SRS	DSN		
		PRELIM SET FOR COW REVIEW	
0	2-03-16	REV	DATE
		DESCRIPTION	
		EROSION CONTROL PLAN	
SCOTT R. SERVIS ENGINEER KS # 17874		200 N. EMPORIA, SUITE 100 WICHITA, KANSAS 67203-4400-4309 PH: (316) 436-4300 info@kaveing.com www.kaveing.com	
		KAW VALLEY ENGINEERING, INC. IS AUTHORIZED TO OFFER ENGINEERING SERVICES UNDER THE KANSAS STATE CERTIFICATE OF AUTHORIZATION # E-113. EXPIRES 12/31/16.	
LA QUINTA INN 2660 N GREENWICH COURT WICHITA, KANSAS		PROJ. NO. G15_0227 DESIGNER SRS DRAWN BY EAM CFN 0227DECP SHEET 09 REV 0	

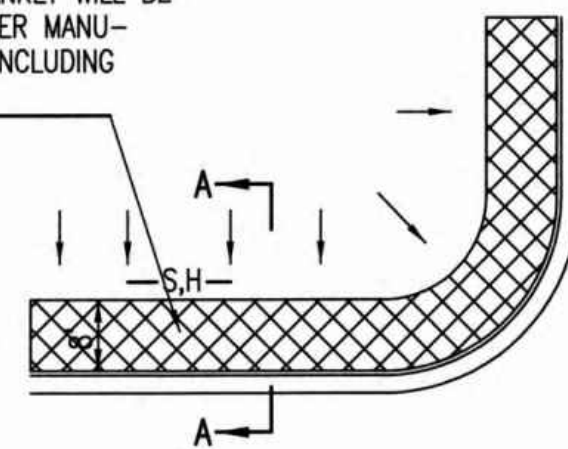


SECTION B-B

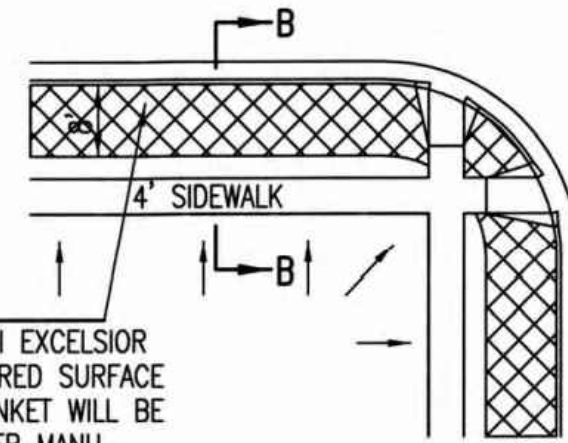


SECTION A-A

INSTALL 8' WIDE CURLEX I OR II EXCELSIOR BLANKET, OR EQUAL, ON PREPARED SURFACE BACK OF CURB. EDGE OF BLANKET WILL BE AT BACK OF CURB. INSTALL PER MANUFACTURERS RECOMMENDATION, INCLUDING STAPLES. (SEE DETAIL)



SOUTH STREET

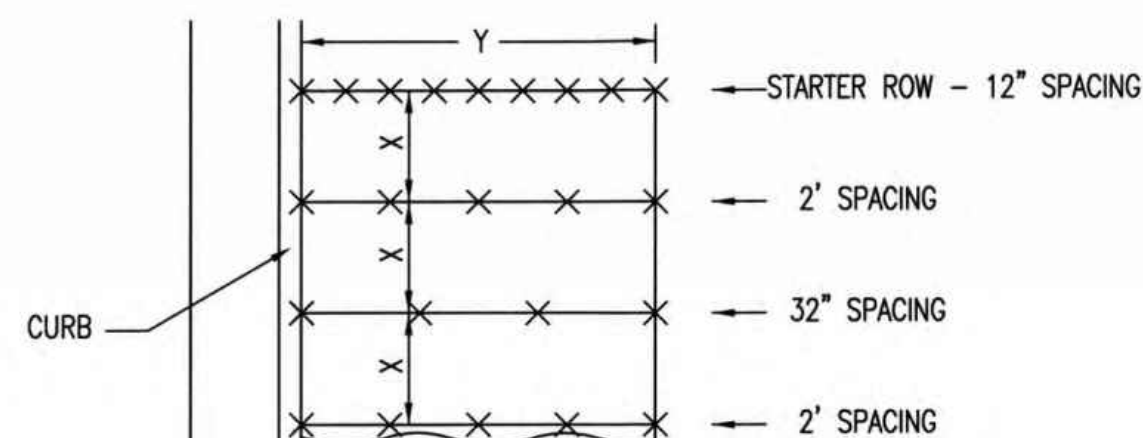


INSTALL 8' WIDE CURLEX I OR II EXCELSIOR BLANKET, OR EQUAL, ON PREPARED SURFACE BACK OF CURB. EDGE OF BLANKET WILL BE AT BACK OF CURB. INSTALL PER MANUFACTURERS RECOMMENDATION, INCLUDING STAPLES. (SEE DETAIL)

GENERAL NOTES

- EXCELSIOR MAT TO BE INSTALLED WHEN SOD IS NOT SPECIFIED ON PROJECT.
- EXCELSIOR BLANKET TO BE INSTALLED OVER SEED AND FERTILIZER, AS SPECIFIED IN THE PROJECT SPECIFICATIONS.
- AFTER INSTALLATION OF EXCELSIOR BLANKET, AT LOCATIONS WHERE CONCENTRATED FLOW CARRIES SEDIMENT OVER THE CURB AND INTO THE GUTTER, SUPPLEMENTAL EROSION CONTROL DEVICES WILL BE INSTALLED BY THE CONTRACTOR AS NEEDED, TO FIX THE PROBLEM.

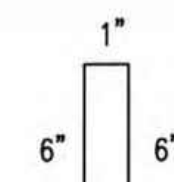
BACK OF CURB PROTECTION DETAIL



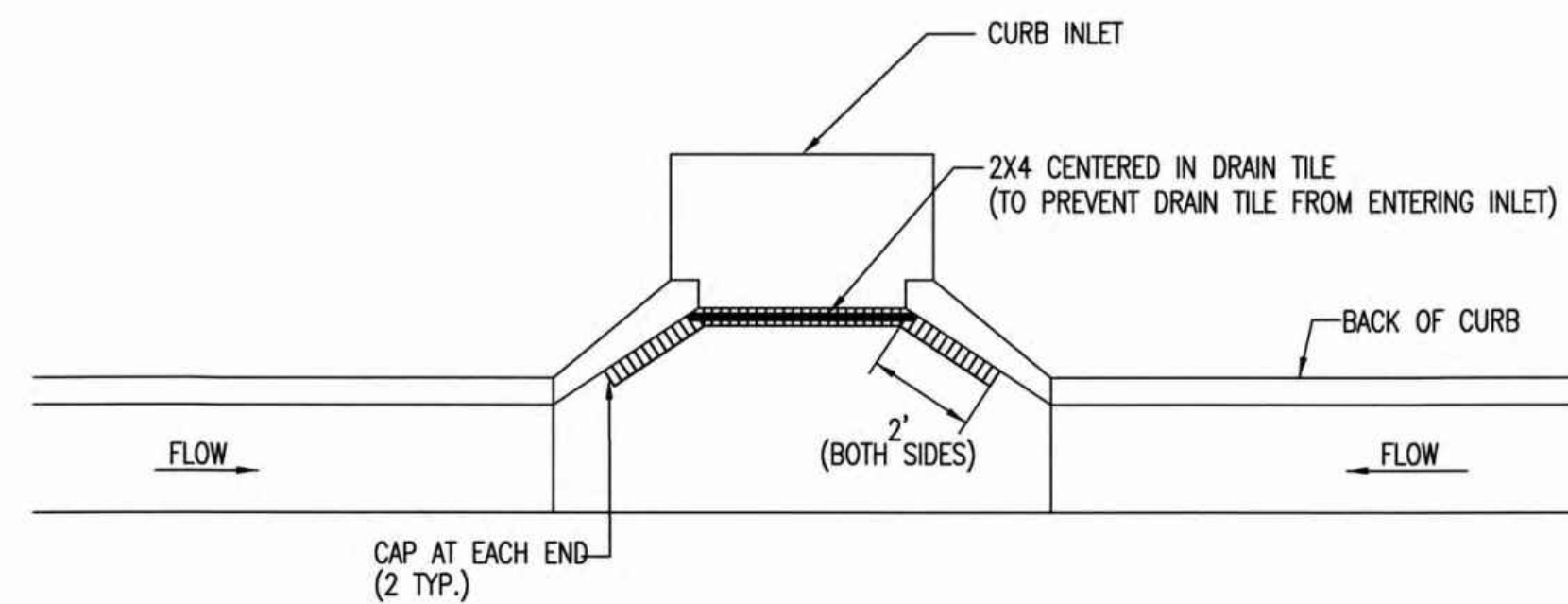
STAPLE PATTERN

NOTES: USE 6" SEAM OVERLAP
(X & Y = RECOMMENDED BY MANUFACTURE)

DETAILS FOR APPROVED EROSION CONTROL MAT

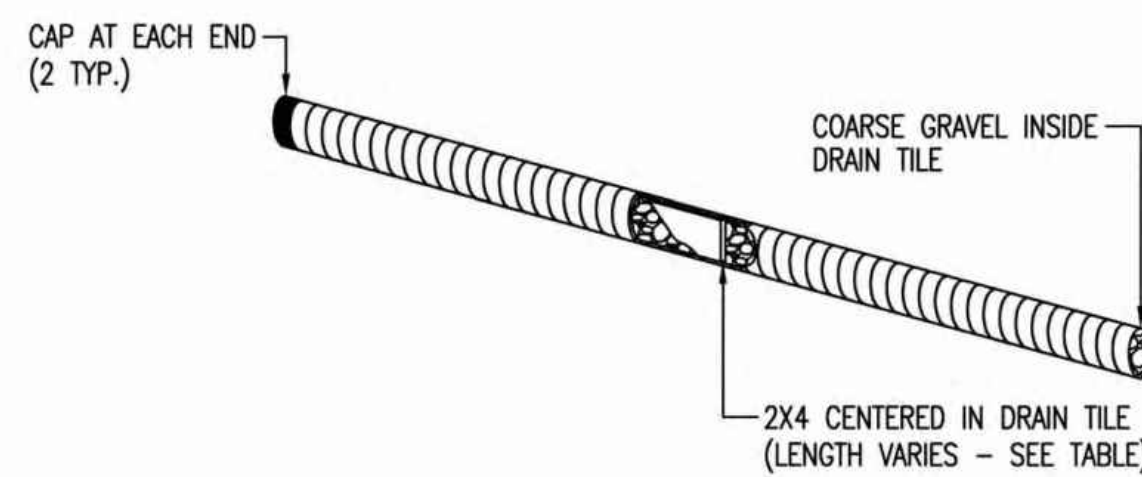


11 GA. WIRE STAPLE

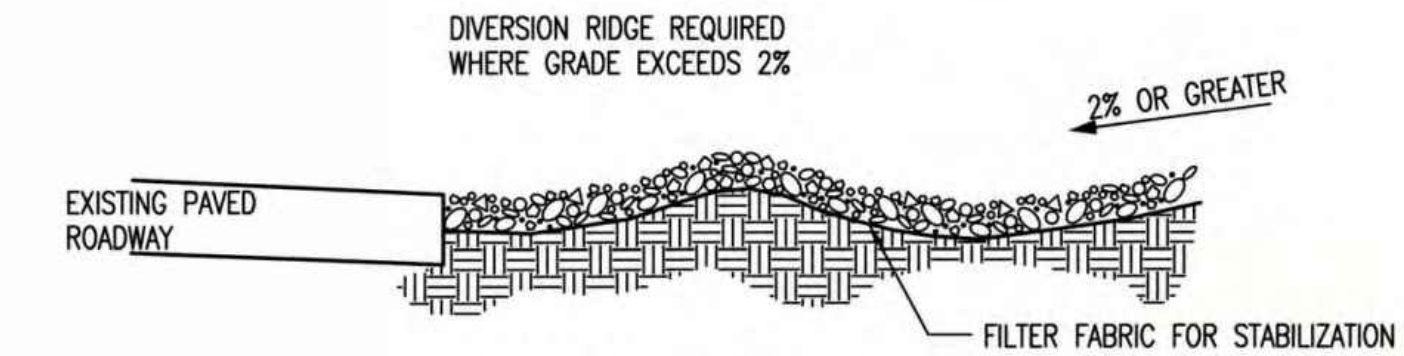


NOTE: PLACE 4" PERFORATED PVC PIPE, FILLED WITH 1/2"-1" DIA. GRAVEL, IN FRONT OF CURB INLET AS SHOWN.

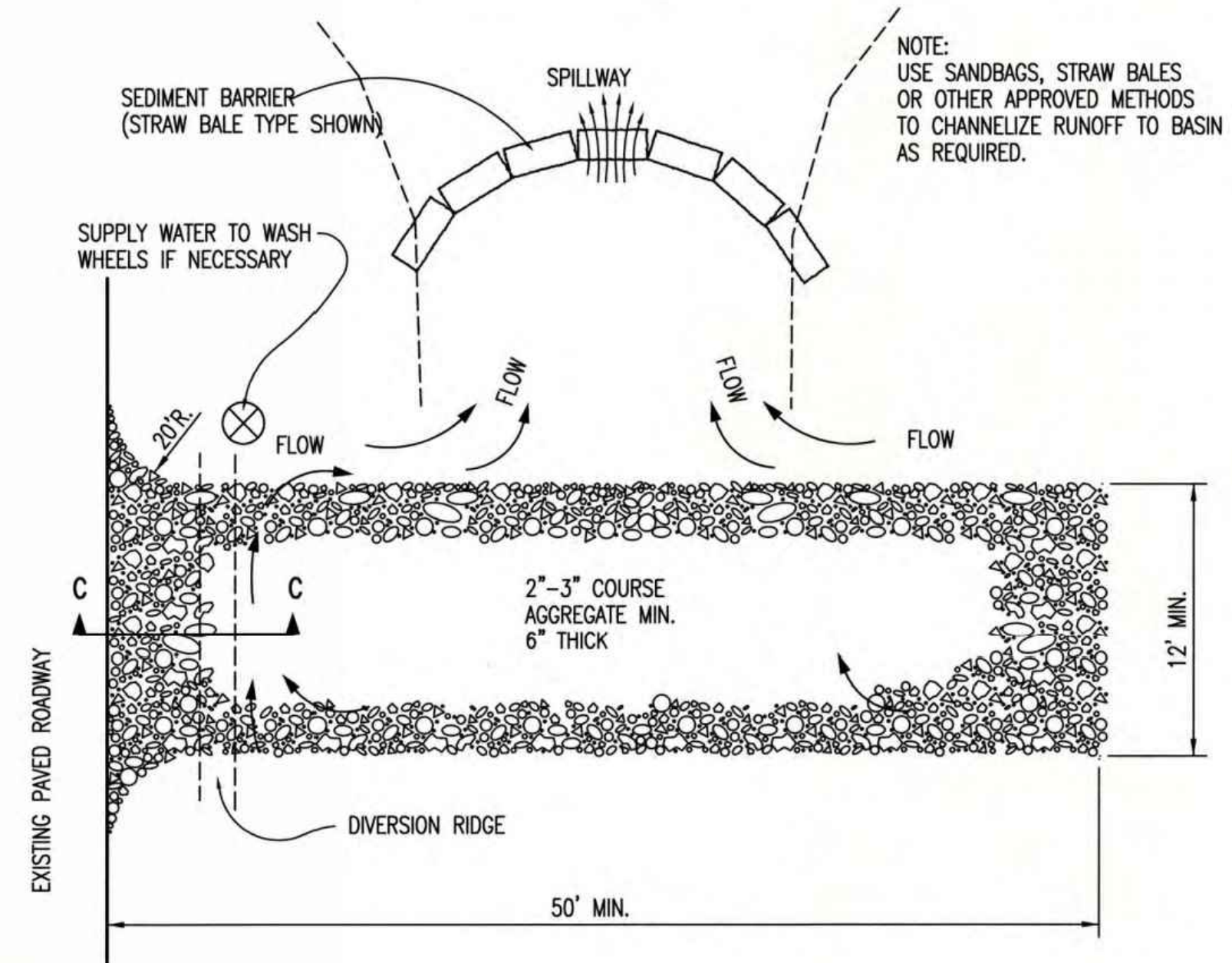
2X4 LENGTH	INLET TYPE	INLET OPENING
5'-6"	1-A	5'-0"
10'-6"	1-A	10'-0"
15'-6"	1-A	15'-0"



CURB INLET PROTECTION
4" PERFORATED PIPE W/ GRAVEL



SECTION C-C



STABILIZED CONSTRUCTION ENTRANCE

GENERAL NOTES

- THE ENTRANCE SHALL BE MAINTAINED IN A CONDITION THAT WILL PREVENT TRACKING OR FLOWING OF SEDIMENT ONTO PUBLIC RIGHTS-OF-WAY. THIS MAY REQUIRE TOP DRESSING, REPAIR AND/OR CLEANOUT OF ANY MEASURES USED TO TRAP SEDIMENT.
- WHEN NECESSARY, WHEELS SHALL BE CLEANED PRIOR TO ENTRANCE ONTO PUBLIC RIGHT-OF-WAY.
- WHEN WASHING IS REQUIRED, IT SHALL BE DONE ON AN AREA STABILIZED WITH CRUSHED STONE THAT DRAINS INTO AN APPROVED SEDIMENT TRAP OR SEDIMENT BASIN, AS SHOWN ABOVE.
- DRIVE ENTRANCES ONTO RESIDENTIAL LOTS WILL NOT BE REQUIRED TO HAVE THE SEDIMENT BARRIER SHOWN, BUT WHEEL WASHING MAY BE REQUIRED IF STABILIZED ENTRANCE IS NOT SUFFICIENT TO KEEP MUD FROM BEING TRACKED ONTO ADJACENT STREET. ENTRANCE SHALL EXTEND FROM BACK OF CURB TO DWELLING.



05/26/13



BACK OF CURB PROTECTION,
CURB INLET PROTECTION AND
CONSTRUCTION ENTRANCE

CITY ENGINEER

GARY JANZEN, P.E.

PROJECT NUMBER OCA NUMBER DATE

CITY ENGINEER'S OFFICE
CITY HALL - SEVENTH FLOOR
455 NORTH MAIN STREET
WICHITA, KANSAS 67202-1620
(316) 268-4501

REVISION DATE: MAY 2013

PROJECT NO. G15_0227
DESIGNER SRS DRAWN BY EAM

CFN 0227DDET SHEET

10 REV 0

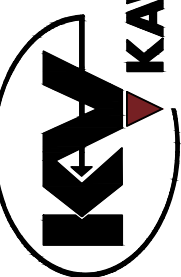
LA QUINTA INN
2660 N GREENWICH COURT
WICHITA, KANSAS

EROSION CONTROL DETAILS



SCOTT R. SERVIS
ENGINEER
KS # 17874

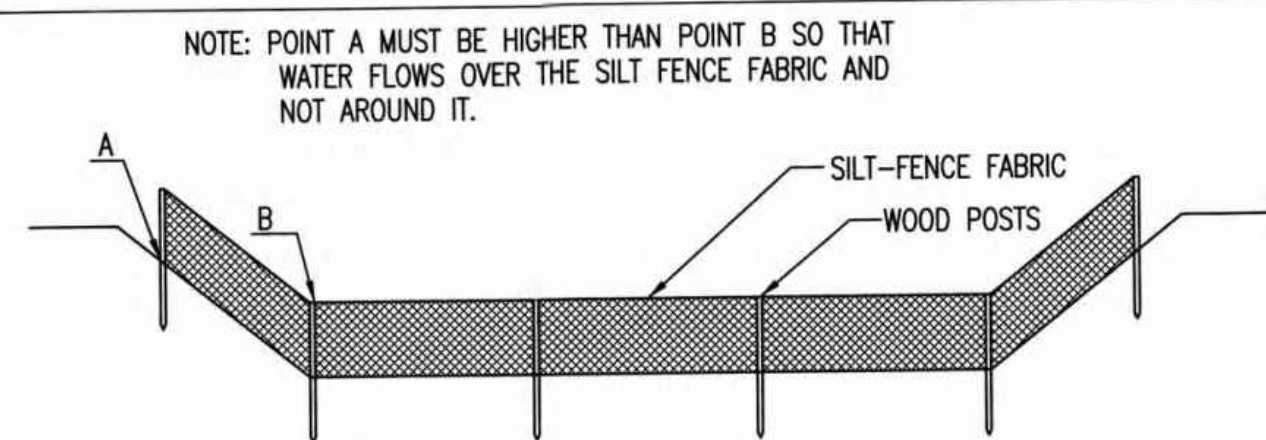
200 N. EMPORIA, SUITE 100
WICHITA, KANSAS 67203-4400-4309
PH: (316) 268-4400
www.kawvalley.com info@kawvalley.com



KAW VALLEY ENGINEERING, INC. IS AUTHORIZED TO OFFER ENGINEERING SERVICES UNDER THE KANSAS STATE CERTIFICATE OF AUTHORIZATION # E-113. EXPIRES 12/31/16

REV	DATE	DESCRIPTION
0	2-03-16	PRELIM SET FOR COW REVIEW

EAM	DSN	DWN	CHK



ELEVATION
SILT FENCE DITCH CHECKS
(STREAM PROTECTION)

MATERIAL SPECIFICATION:

SILT FENCE FABRIC SHOULD CONFORM TO THE AASHTO M288 96 SILT FENCE SPECIFICATION. THE POSTS USED TO SUPPORT THE SILT FENCE FABRIC SHOULD BE A HARDWOOD MATERIAL WITH THE FOLLOWING MINIMUM DIMENSIONS: 2" SQUARE (NOMINAL) BY 4' LONG. SILT FENCE FABRIC SHOULD BE ATTACHED TO THE WOODEN POSTS WITH STAPLES, WIRE, ZIP TIES, OR NAILS.

PLACEMENT:

PLACE SILT FENCE IN DITCHES WHERE IT IS UNLIKELY THAT IT WILL BE OVERTOPPED. WATER SHOULD FLOW THROUGH A SILT FENCE DITCH CHECK, NOT OVER IT. SILT FENCE DITCH CHECKS OFTEN FAIL WHEN OVERTOPPED. SILT FENCE DITCH CHECKS SHOULD BE PLACED PERPENDICULAR TO THE FLOWLINE OF THE DITCH. THE SILT FENCE SHOULD EXTEND FAR ENOUGH SO THAT THE GROUND LEVEL AT THE ENDS OF THE FENCE IS HIGHER THAN THE TOP OF THE LOW POINT OF THE FENCE. THIS PREVENTS WATER FROM FLOWING AROUND THE CHECK. SILT FENCE DITCH CHECKS SHOULD NOT BE PLACED IN DITCHES WHERE HIGH FLOWS ARE EXPECTED. ROCK CHECKS SHOULD BE USED INSTEAD. SILT FENCE SHOULD BE PLACED IN DITCHES WITH SLOPES OF 6% OR LESS. FOR SLOPES STEEPER THAN 6%, ROCK CHECKS SHOULD BE USED.

THE FOLLOWING TABLE PROVIDES CHECK SPACING FOR A GIVEN DITCH GRADE:

DITCH CHECK DITCH GRADE (%)	SPACING CHECK SPACING (FEET)
0.5	200
1.0	200
2.0	100
3.0	65
4.0	50
5.0	40
6.0	30

PROPER INSTALLATION METHOD:

EXCAVATE A TRENCH PERPENDICULAR TO THE DITCH FLOWLINE THAT IS AT LEAST 12" DEEP BY 6" WIDE. EXTEND THE TRENCH IN A STRAIGHT LINE ALONG THE ENTIRE LENGTH OF THE PROPOSED DITCH CHECK. PLACE THE SOIL ON THE UPSTREAM SIDE OF THE TRENCH FOR LATER USE. ROLL OUT A CONTINUOUS LENGTH OF SILT FENCE FABRIC ON THE DOWNSLOPE SIDE OF THE TRENCH. PLACE THE EDGE OF THE FABRIC IN THE TRENCH STARTING AT THE TOP UPSTREAM EDGE OF THE TRENCH. LINE TWO SIDES OF THE TRENCH WITH THE FABRIC AS SHOWN ON DETAIL. BACKFILL OVER THE FABRIC IN THE TRENCH WITH THE EXCAVATED SOIL AND COMPACT. AFTER FILLING THE TRENCH, APPROXIMATELY 24" TO 36" OF SILT FENCE FABRIC SHOULD REMAIN EXPOSED. LAY THE EXPOSED SILT FENCE ON THE UPSLOPE SIDE OF THE TRENCH TO CLEAR AN AREA FOR DRIVING IN THE POSTS. JUST DOWNSLOPE OF THE TRENCH, DRIVE POSTS INTO THE GROUND TO A DEPTH OF AT LEAST 24". PLACE POSTS NO MORE THAN 4' APART. ATTACH THE SILT FENCE TO THE ANCHORED POST WITH STAPLES, WIRE, ZIP TIES, OR NAILS.

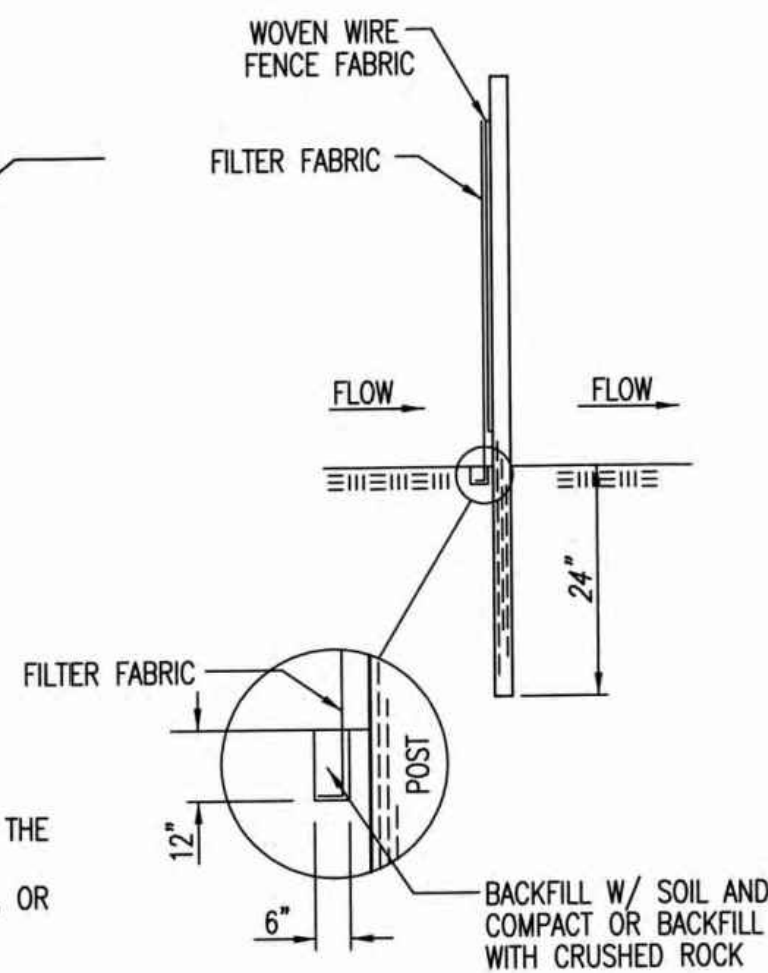
LIST OF COMMON PLACEMENT/INSTALLATION MISTAKES TO AVOID:

WATER SHOULD FLOW THROUGH A SILT FENCE DITCH CHECK—NOT OVER IT. PLACE SILT FENCE IN DITCHES WHERE IT IS UNLIKELY THAT IT WILL BE OVERTOPPED. SILT FENCE INSTALLATIONS QUICKLY DETERIORATE WHEN WATER OVERTOPS THEM. DO NOT PLACE SILT FENCE POSTS ON THE UPSLOPE SIDE OF THE SILT FENCE FABRIC. IN THIS CONFIGURATION, THE FORCE OF THE WATER IS NOT RESTRICTED BY THE POSTS, BUT ONLY BY THE STAPLES (WIRE, ZIP TIES, NAILS, ETC.). THE SILT FENCE WILL RIP AND FAIL. DO NOT PLACE A SILT FENCE DITCH CHECK DIRECTLY IN FRONT OF A CULVERT OUTLET. IT WILL NOT STAND UP TO THE CONCENTRATED FLOW. DO NOT PLACE SILT FENCE DITCH CHECKS IN DITCHES THAT WILL LIKELY EXPERIENCE HIGH FLOWS. THEY WILL NOT STAND UP TO CONCENTRATED FLOW. FOLLOW PRESCRIBED DITCH CHECK SPACING GUIDELINES. IF SPACING GUIDELINES ARE EXCEEDED, EROSION WILL OCCUR BETWEEN THE DITCH CHECKS. DO NOT ALLOW WATER TO FLOW AROUND THE DITCH CHECK. MAKE SURE THAT THE DITCH CHECK IS LONG ENOUGH SO THAT THE GROUND LEVEL AT THE ENDS OF THE FENCE IS HIGHER THAN THE LOW POINT ON THE TOP OF THE FENCE. DO NOT PLACE SILT FENCE DITCH CHECKS IN CHANNELS WITH SHALLOW SOILS UNDERLAIN BY ROCK. IF THE CHECK IS NOT ANCHORED SUFFICIENTLY, IT WILL WASH OUT.

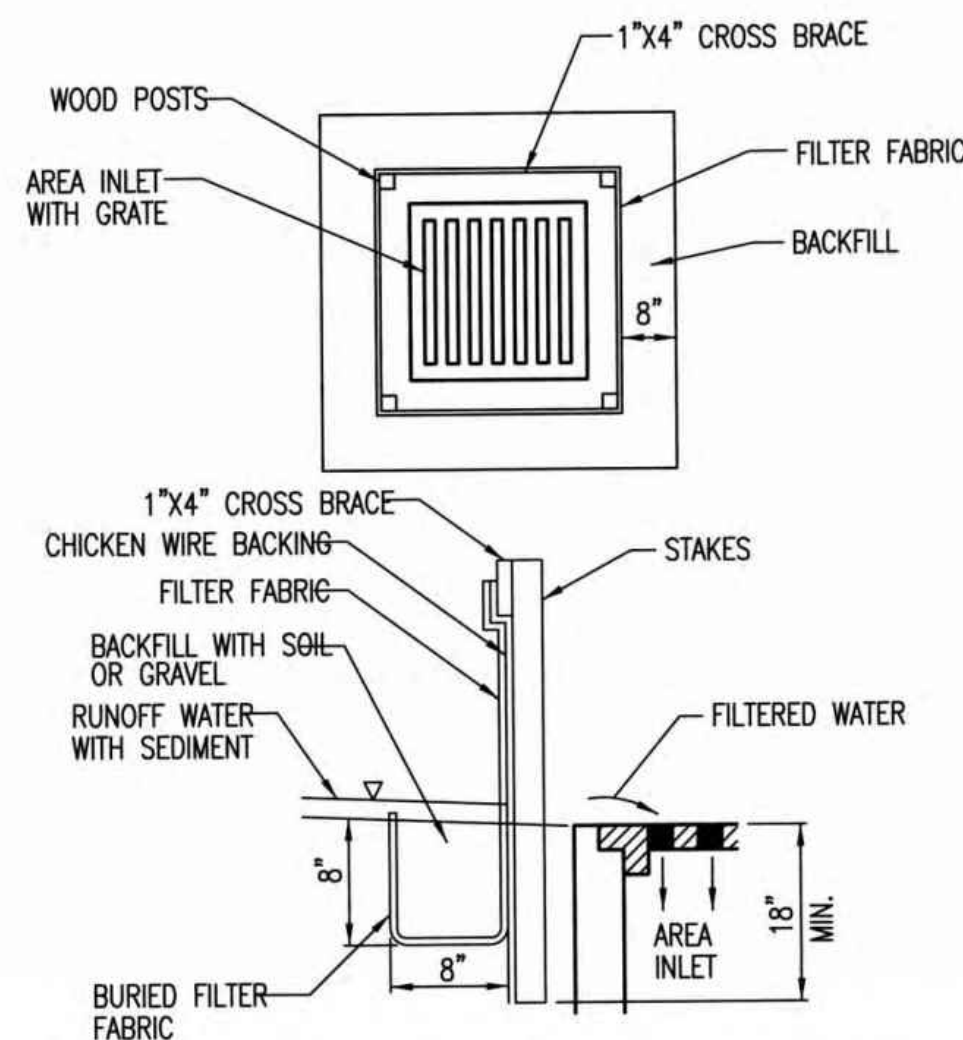
INSPECTION AND MAINTENANCE:

SILT FENCE DITCH CHECKS SHOULD BE INSPECTED EVERY 7 DAYS AND WITHIN 24 HOURS OF A RAINFALL OF 1/2" OR MORE. THE FOLLOWING IS A LIST OF QUESTIONS THAT SHOULD BE ADDRESSED DURING EACH INSPECTION:

- DOES WATER FLOW AROUND THE DITCH CHECK?
- DOES WATER FLOW UNDER THE DITCH CHECK?
- DOES THE SILT FENCE SAG EXCESSIVELY?
- HAS THE SILT FENCE TORN OR BECOME DETACHED FROM THE POSTS?
- DOES SEDIMENT NEED TO BE REMOVED FROM BEHIND THE DITCH CHECK?



ANCHOR TRENCH DETAIL



SILT FENCE BARRIERS FOR AREA INLETS
(INLET PROTECTION)

MATERIAL SPECIFICATION:

SILT FENCE FABRIC SHOULD CONFORM TO THE AASHTO M288 96 SILT FENCE SPECIFICATION. THE WIRE OR POLYMERIC MESH BACKING USED TO HELP SUPPORT THE SILT FENCE FABRIC SHOULD CONFORM TO THE AASHTO M288 96 SILT FENCE SPECIFICATION. THE POSTS USED TO SUPPORT THE SILT FENCE FABRIC SHOULD BE A HARDWOOD MATERIAL WITH THE FOLLOWING MINIMUM DIMENSIONS: 2" SQUARE (NOMINAL) BY 4' LONG. THE MATERIAL USED TO FRAME THE TOPS OF THE POSTS SHOULD BE 1" BY 4" BOARDS. SILT FENCE FABRIC AND SUPPORT BACKING SHOULD BE ATTACHED TO THE WOODEN POSTS AND FRAME WITH STAPLES, WIRE, ZIP TIES, OR NAILS.

PLACEMENT:

PLACE A SILT FENCE DROP INLET BARRIER IN A LOCATION WHERE IT IS UNLIKELY TO BE OVERTOPPED. WATER SHOULD FLOW THROUGH SILT FENCE, NOT OVER IT. SILT FENCE BARRIERS FOR AREA INLETS OFTEN FAIL WHEN REPEATEDLY OVERTOPPED. WHEN USED AS A BARRIER FOR AREA INLETS, SILT FENCE FABRIC AND POSTS MUST BE SUPPORTED AT THE TOP BY A WOODEN FRAME. WHEN A SILT FENCE BARRIER FOR AREA INLETS IS LOCATED NEAR AN INLET THAT HAS STEEP APPROACH SLOPES, THE STORAGE CAPACITY BEHIND THE BARRIER IS DRASTICALLY REDUCED. TIMELY REMOVAL OF SEDIMENT MUST OCCUR FOR A BARRIER TO OPERATE PROPERLY IN THIS LOCATION.

PROPER INSTALLATION METHOD:

EXCAVATE A TRENCH AROUND THE PERIMETER OF THE AREA INLET THAT IS AT LEAST 8" DEEP BY 8" WIDE. DRIVE POSTS TO A DEPTH OF AT LEAST 18" AROUND THE PERIMETER OF THE AREA INLET. THE DISTANCE BETWEEN POSTS SHOULD BE 4' OR LESS. IF THE DISTANCE BETWEEN TWO ADJACENT CORNER POSTS IS MORE THAN 4', ADD ANOTHER POST(S) BETWEEN THEM. CONNECT THE TOPS OF ALL THE POSTS WITH A WOODEN FRAME MADE OF 1" BY 4" BOARDS. USE NAILS OR SCREWS FOR FASTENING. ATTACH THE WIRE OR POLYMERIC-MESH BACKING TO THE OUTSIDE OF THE POST/FRAME STRUCTURE WITH STAPLES, WIRE, ZIP TIES, OR NAILS. ROLL OUT A CONTINUOUS LENGTH OF SILT FENCE FABRIC LONG ENOUGH TO WRAP AROUND THE PERIMETER OF THE AREA INLET. ADD MORE LENGTH FOR OVERLAPPING THE FABRIC JOINT. PLACE THE EDGE OF THE FABRIC IN THE TRENCH, STARTING AT THE OUTSIDE EDGE OF THE TRENCH. LINE ALL THREE SIDES OF THE TRENCH WITH THE FABRIC. BACKFILL OVER THE FABRIC IN THE TRENCH WITH THE EXCAVATED SOIL AND COMPACT. AFTER FILLING THE TRENCH, APPROXIMATELY 24" TO 36" OF SILT FENCE FABRIC SHOULD REMAIN EXPOSED. ATTACH THE SILT FENCE TO THE OUTSIDE OF THE POST/FRAME STRUCTURE WITH STAPLES, WIRE, ZIP TIES, OR NAILS. THE JOINT SHOULD BE OVERLAPPED TO THE NEXT POST.

NOTE: WHEN A SILT FENCE BARRIER FOR AREA INLET IS PLACED IN A SHALLOW MEDIAN DITCH, MAKE SURE THAT THE TOP OF THE BARRIER IS NOT HIGHER THAN THE PAVED ROAD. IN THIS CONFIGURATION, WATER MAY SPREAD ONTO THE ROADWAY CAUSING A HAZARDOUS CONDITION.

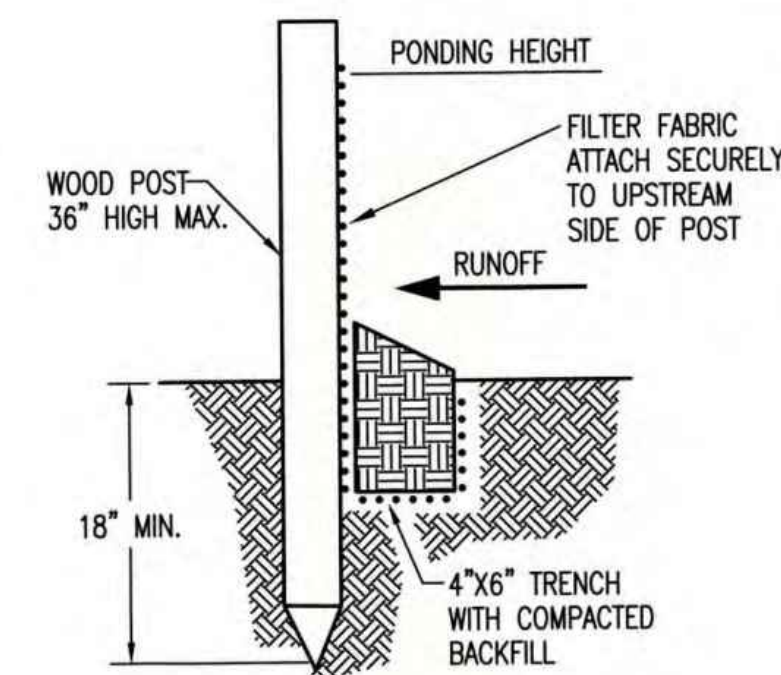
LIST OF COMMON PLACEMENT/INSTALLATION MISTAKES TO AVOID:

WATER SHOULD FLOW THROUGH A SILT FENCE BARRIER FOR AREA INLET—NOT OVER IT. PLACE A SILT FENCE BARRIER FOR AREA INLET IN A LOCATION WHERE IT IS UNLIKELY TO BE OVERTOPPED. SILT FENCE BARRIER FOR AREA INLETS OFTEN FAIL WHEN REPEATEDLY OVERTOPPED. DO NOT PLACE POSTS ON THE OUTSIDE OF THE SILT FENCE BARRIER FOR AREA INLET. IN THIS CONFIGURATION, THE FORCE OF THE WATER IS NOT RESTRICTED BY THE POSTS, BUT ONLY BY THE STAPLES (WIRE, ZIP TIES, NAILS, ETC.). THE SILT FENCE WILL RIP AND FAIL. DO NOT INSTALL SILT FENCE BARRIER FOR AREA INLETS WITHOUT FRAMING THE TOP OF THE POSTS. THE CORNER POSTS AROUND AREA INLETS ARE STRESSED IN TWO DIRECTIONS WHEREAS A NORMAL SILT FENCE IS ONLY STRESSED IN ONE DIRECTION. THIS ADDED STRESS REQUIRES MORE SUPPORT.

INSPECTION AND MAINTENANCE:

SILT FENCE BARRIER FOR AREA INLETS SHOULD BE INSPECTED EVERY 7 DAYS AND WITHIN 24 HOURS OF A RAINFALL OF 1/2" OR MORE. THE FOLLOWING IS A LIST OF QUESTIONS THAT SHOULD BE ADDRESSED DURING EACH INSPECTION:

- DOES WATER FLOW UNDER THE SILT FENCE?
- DOES THE SILT FENCE SAG EXCESSIVELY?
- HAS THE SILT FENCE TORN OR BECOME DETACHED FROM THE POSTS?
- DOES SEDIMENT NEED TO BE REMOVED FROM BEHIND THE AREA INLET BARRIER?



SILT FENCE BARRIERS

MATERIAL SPECIFICATION:

SILT FENCE FABRIC SHOULD CONFORM TO THE AASHTO M288 96 SILT FENCE SPECIFICATION. THE POSTS USED TO SUPPORT THE SILT FENCE FABRIC SHOULD BE A HARDWOOD MATERIAL WITH THE FOLLOWING MINIMUM DIMENSIONS: 2" SQUARE (NOMINAL) BY 4' LONG. SILT FENCE FABRIC SHOULD BE ATTACHED TO THE WOODEN POSTS WITH STAPLES, WIRE, ZIP TIES, OR NAILS.

PLACEMENT:

A SLOPE BARRIER SHOULD BE USED AT THE TOE OF A SLOPE WHEN A DITCH DOES NOT EXIST. THE SLOPE BARRIER SHOULD BE PLACED ON NEARLY LEVEL GROUND 5' TO 10' AWAY FROM THE TOE OF A SLOPE. THE BARRIER IS PLACED AWAY FROM THE TOE OF THE SLOPE TO PROVIDE ADEQUATE STORAGE FOR SETTLING OUT SEDIMENT. WHEN PRACTICABLE, SILT FENCE SLOPE BARRIERS SHOULD BE PLACED ALONG CONTOURS TO AVOID A CONCENTRATION OF FLOW. SILT FENCE SLOPE BARRIERS CAN ALSO BE PLACED ALONG RIGHT-OF-WAY FENCE LINES TO KEEP SEDIMENT FROM CROSSING ONTO ADJACENT PROPERTY. WHEN PLACED IN THIS MANNER, THE SLOPE BARRIER WILL NOT LIKELY FOLLOW CONTOURS.

PROPER INSTALLATION METHOD:

EXCAVATE A TRENCH THE LENGTH OF THE PLANNED SLOPE BARRIER THAT IS 6" DEEP BY 4" WIDE. MAKE SURE THAT THE TRENCH IS EXCAVATED ALONG A SINGLE CONTOUR. WHEN PRACTICABLE, SLOPE BARRIERS SHOULD BE PLACED ALONG CONTOURS TO AVOID A CONCENTRATION OF FLOW. PLACE THE SOIL ON THE UPSLOPE SIDE OF THE TRENCH FOR LATER USE. ROLL OUT A CONTINUOUS LENGTH OF SILT FENCE FABRIC ON THE DOWNSLOPE SIDE OF THE TRENCH. PLACE THE EDGE OF THE FABRIC IN THE TRENCH STARTING AT THE TOP UPSLOPE EDGE. LINE ALL THREE SIDES OF THE TRENCH WITH THE FABRIC. BACKFILL OVER THE FABRIC IN THE TRENCH WITH THE EXCAVATED SOIL AND COMPACT. AFTER FILLING THE TRENCH, APPROXIMATELY 24" TO 36" OF SILT-FENCE FABRIC SHOULD REMAIN EXPOSED. LAY THE EXPOSED SILT FENCE UPSLOPE OF THE TRENCH TO CLEAR AN AREA FOR DRIVING IN THE POSTS. JUST DOWNSLOPE OF THE TRENCH, DRIVE POSTS INTO THE GROUND TO A DEPTH OF AT LEAST 18". PLACE POSTS NO MORE THAN 4' APART. ATTACH THE SILT FENCE TO THE ANCHORED POST WITH STAPLES, WIRE, ZIP TIES, OR NAILS.

LIST OF COMMON PLACEMENT/INSTALLATION MISTAKES TO AVOID:

WHEN PRACTICABLE, DO NOT PLACE SILT FENCE SLOPE BARRIERS ACROSS CONTOURS. SLOPE BARRIERS SHOULD BE PLACED ALONG CONTOURS TO AVOID A CONCENTRATION OF FLOW. WHEN THE FLOW CONCENTRATES, IT OVERTOPS THE BARRIER AND THE SILT FENCE SLOPE BARRIER QUICKLY DETERIORATES. DO NOT PLACE SILT-FENCE POSTS ON THE UPSLOPE SIDE OF THE SILT FENCE FABRIC. IN THIS CONFIGURATION, THE FORCE OF THE WATER IS NOT RESTRICTED BY THE POSTS, BUT ONLY BY THE STAPLES (WIRE, ZIP TIES, NAILS, ETC.). THE SILT FENCE WILL RIP AND FAIL. DO NOT PLACE SILT FENCE SLOPE BARRIERS IN AREAS WITH SHALLOW SOILS UNDERLAIN BY ROCK. IF THE BARRIER IS NOT SUFFICIENTLY ANCHORED, IT WILL WASH OUT. SILT FENCE SLOPE BARRIERS MUST BE DUG INTO THE GROUND—SILT FENCE AT GROUND LEVEL DOES NOT WORK BECAUSE WATER WILL FLOW UNDERNEATH.

INSPECTION AND MAINTENANCE:

SILT FENCE SLOPE BARRIERS SHOULD BE INSPECTED EVERY 7 DAYS AND WITHIN 24 HOURS OF A RAINFALL OF 1/2" OR MORE. THE FOLLOWING IS A LIST OF QUESTIONS THAT SHOULD BE ADDRESSED DURING EACH INSPECTION:

- ARE THERE ANY POINTS ALONG THE SLOPE BARRIER WHERE WATER IS CONCENTRATING?
- DOES WATER FLOW UNDER THE SLOPE BARRIER?
- DO THE SILT FENCES SAG EXCESSIVELY?
- HAS THE SILT FENCE TORN OR BECOME DETACHED FROM THE POSTS?
- DOES SEDIMENT NEED TO BE REMOVED FROM BEHIND THE SLOPE BARRIER?

REVISION DATE: MAY 2013



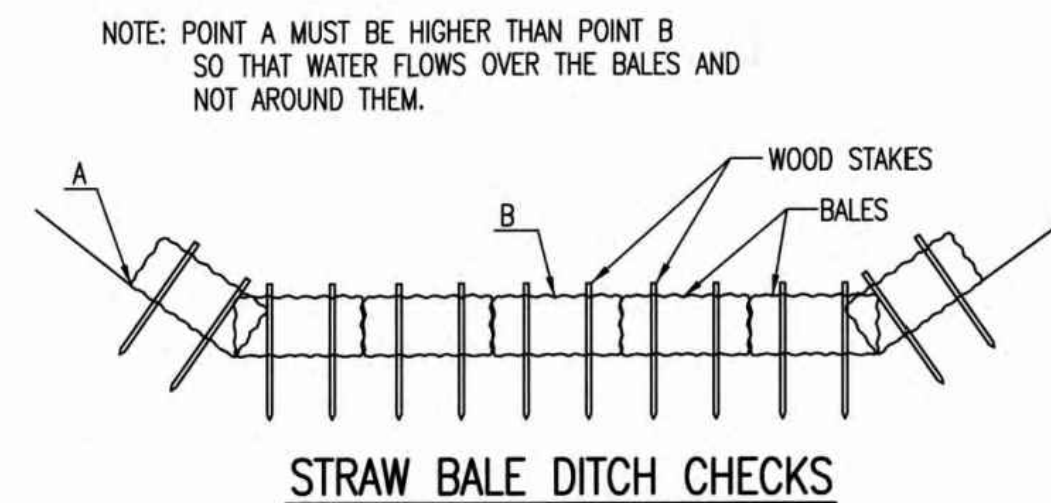
SILT FENCE DITCH CHECK AND BARRIER DETAILS

CITY ENGINEER
GARY JANZEN, P.E.

PROJECT NUMBER	OCA NUMBER	DATE
CITY ENGINEER'S OFFICE		
CITY HALL - SEVENTH FLOOR		
455 NORTH MAIN STREET		
WICHITA, KANSAS 67202-1620		
(316) 268-4301		



PROJ. NO.	G15_0227
DESIGNER	SRS
DRAWN BY	EAM
CFN	0227DDET
SHEET	11
REV	0
DATE	2-03-16
PRELIM SET FOR COW REVIEW	
DESCRIPTION	EROSION CONTROL DETAILS
DSN	DWN
EAM	CHK



STRAW BALE DITCH CHECKS

MATERIAL SPECIFICATION:

BALE DITCH CHECKS MAY BE CONSTRUCTED OF WHEAT STRAW, OAT STRAW, PRAIRIE HAY, OR BROMEGRASS HAY THAT IS FREE OF WEEDS DECLARED NOXIOUS BY THE KANSAS STATE BOARD OF AGRICULTURE. THE STAKES USED TO ANCHOR THE BALES SHOULD BE A HARDWOOD MATERIAL WITH THE FOLLOWING MINIMUM DIMENSIONS: 2" SQUARE (NOMINAL) BY 4' LONG. OPTIONAL: THE DOWNSTREAM SCOUR APRON SHOULD BE CONSTRUCTED OF A DOUBLE-NETTED STRAW EROSION-CONTROL BLANKET AT LEAST 6' WIDE. OPTIONAL: THE METAL LANDSCAPE STAPLES USED TO ANCHOR THE EROSION-CONTROL BLANKET SHOULD BE AT LEAST 8" LONG.

PLACEMENT:

BALE DITCH CHECKS SHOULD BE PLACED PERPENDICULAR TO THE FLOWLINE OF THE DITCH. THE DITCH CHECK SHOULD EXTEND FAR ENOUGH SO THAT THE GROUND LEVEL AT THE ENDS OF THE CHECK IS HIGHER THAN THE TOP OF THE LOWEST CENTER BALE. THIS PREVENTS WATER FROM FLOWING AROUND THE CHECK. STRAW BALE DITCH CHECKS SHOULD NOT BE PLACED IN DITCHES WHERE HIGH FLOWS ARE EXPECTED. ROCK CHECKS SHOULD BE USED INSTEAD. BALES SHOULD BE PLACED IN DITCHES WITH SLOPES OF 6% OR LESS. FOR SLOPES STEEPER THAN 6%, ROCK CHECKS SHOULD BE USED. THE FOLLOWING TABLE PROVIDES CHECK SPACING FOR A GIVEN DITCH GRADE:

DITCH CHECK SPACING DITCH GRADE (%)	CHECK SPACING (FEET)
0.5	200
1.0	200
2.0	100
3.0	65
4.0	50
5.0	40
6.0	30

PROPER INSTALLATION METHOD:

EXCAVATE A TRENCH PERPENDICULAR TO THE DITCH FLOWLINE THAT IS 4" DEEP AND A BALE'S WIDTH WIDE. EXTEND THE TRENCH IN A STRAIGHT LINE ALONG THE ENTIRE LENGTH OF THE PROPOSED DITCH CHECK. PLACE THE SOIL ON THE UPSTREAM SIDE OF THE TRENCH-IT WILL BE USED LATER. OPTIONAL: ON THE DOWNSTREAM SIDE OF THE TRENCH, ROLL OUT A LENGTH OF EROSION-CONTROL BLANKET (SCOUR APRON) EQUAL TO THE LENGTH OF THE TRENCH. PLACE THE UPSTREAM EDGE OF THE EROSION-CONTROL BLANKET ALONG THE BOTTOM UPSTREAM EDGE OF THE TRENCH. THE EROSION CONTROL BLANKET SHOULD BE ANCHORED IN THE TRENCH WITH ONE ROW OF 8" LANDSCAPE STAPLES PLACED ON 18" CENTERS. THE REMAINDER OF THE EROSION-CONTROL BLANKET (THE PORTION THAT IS NOT LYING IN THE TRENCH) WILL SERVE AS THE DOWNSTREAM SCOUR APRON. THIS SECTION OF THE BLANKET SHOULD BE ANCHORED TO THE GROUND WITH 8" LANDSCAPE STAPLES PLACED AROUND THE PERIMETER OF THE BLANKET ON 18" CENTERS. THE REMAINDER OF THE BLANKET SHOULD BE ANCHORED USING TWO EVENLY SPACED ROWS OF 8" LANDSCAPE STAPLES ON 18" CENTERS PLACED PERPENDICULAR TO THE FLOWLINE OF THE DITCH. PLACE THE BALES IN THE TRENCH, MAKING SURE THAT THEY ARE BUTTED TIGHTLY. TWO STAKES SHOULD BE DRIVEN THROUGH EACH BALE ALONG THE CENTERLINE OF THE DITCH CHECK, APPROXIMATELY 6" TO 8" IN FROM THE BALE ENDS. STAKES SHOULD BE DRIVEN AT LEAST 12" INTO THE GROUND. ONCE ALL THE BALES HAVE BEEN INSTALLED AND ANCHORED, PLACE THE EXCAVATED SOIL AGAINST THE UPSTREAM SIDE OF THE CHECK AND COMPACT IT. THE COMPACTED SOIL SHOULD BE NO MORE THAN 3" TO 4" DEEP AND EXTEND UPSTREAM NO MORE THAN 24".

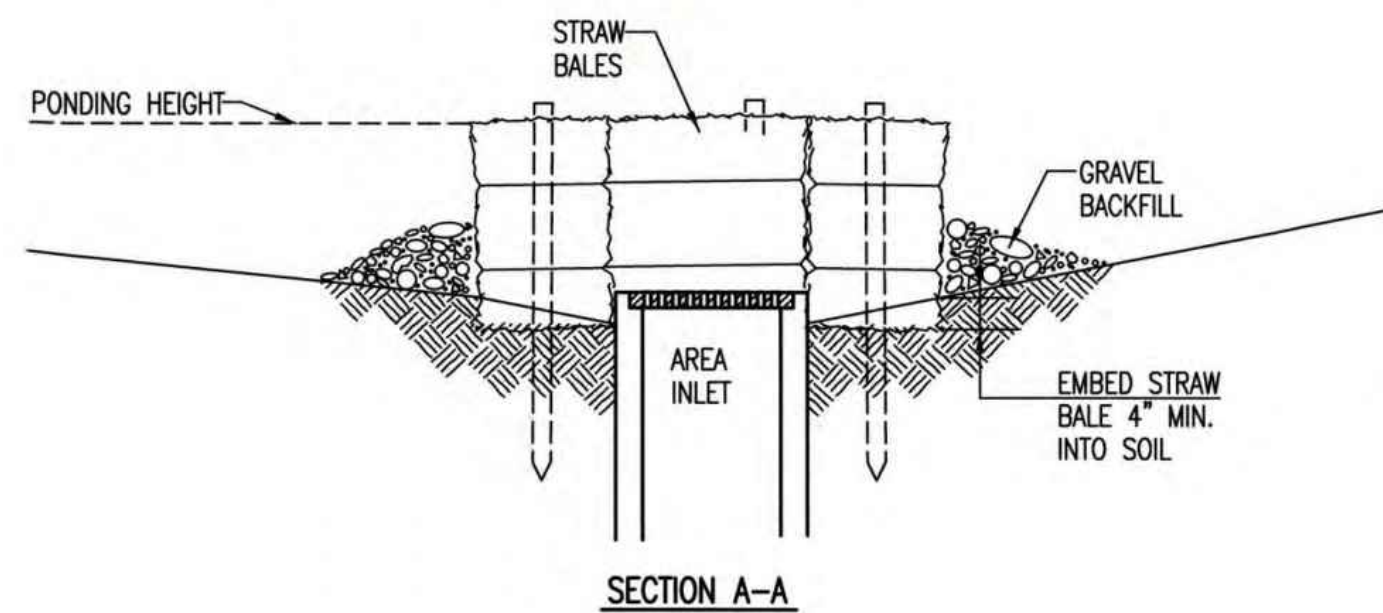
LIST OF COMMON PLACEMENT/INSTALLATION MISTAKES TO AVOID:

DO NOT PLACE A BALE DITCH CHECK DIRECTLY IN FRONT OF A CULVERT OUTLET. IT WILL NOT STAND UP TO THE CONCENTRATED FLOW.
DO NOT PLACE BALE DITCH CHECKS IN DITCHES THAT WILL LIKELY EXPERIENCE HIGH FLOWS. THEY WILL NOT STAND UP TO CONCENTRATED FLOW.
FOLLOW PRESCRIBED DITCH-CHECK SPACING GUIDELINES. IF SPACING GUIDELINES ARE EXCEEDED, EROSION WILL OCCUR BETWEEN THE DITCH CHECKS.
DO NOT ALLOW WATER TO FLOW AROUND THE DITCH CHECK. MAKE SURE THAT THE DITCH CHECK IS LONG ENOUGH SO THAT THE GROUND LEVEL AT THE ENDS OF THE CHECK IS HIGHER THAN THE TOP OF THE LOWEST CENTER BALE.
DO NOT PLACE BALE DITCH CHECKS IN CHANNELS WITH SHALLOW SOILS UNDERLAIN BY ROCK. IF THE CHECK IS NOT ANCHORED SUFFICIENTLY, IT WILL WASH OUT.
BALE DITCH CHECKS MUST BE DUG INTO THE GROUND. BALES AT GROUND LEVEL DO NOT WORK BECAUSE THEY ALLOW WATER TO FLOW UNDER THE CHECK.

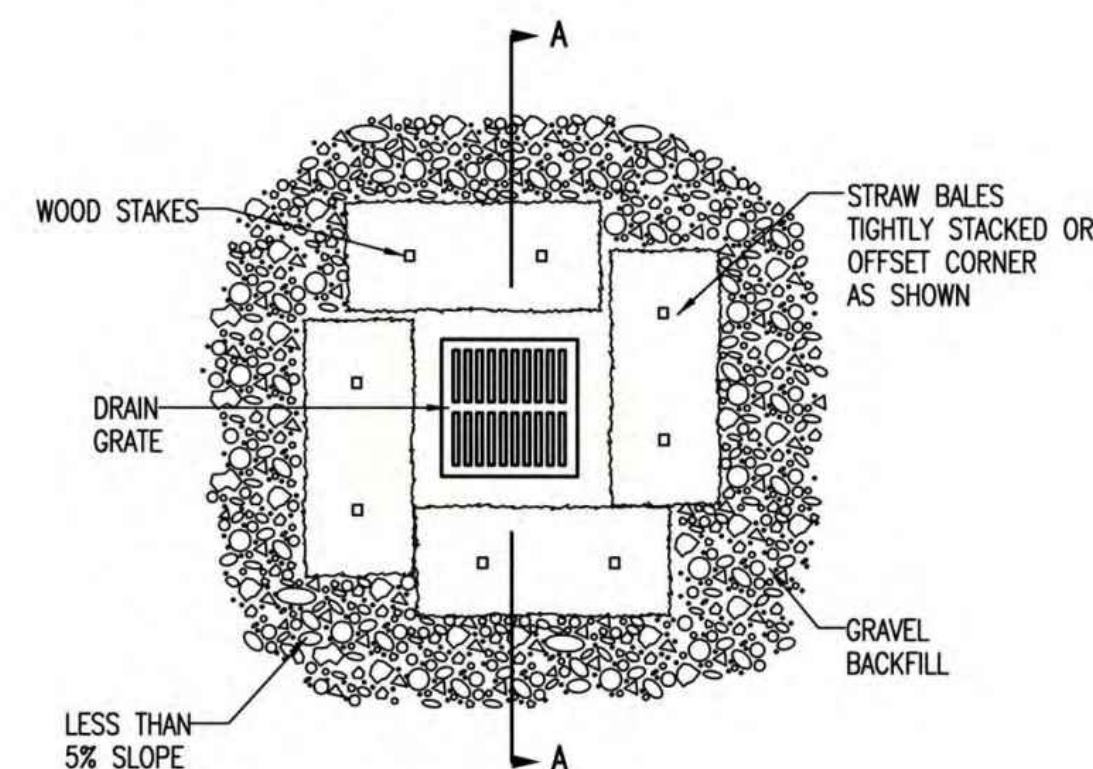
INSPECTION AND MAINTENANCE:

BALE DITCH CHECKS SHOULD BE INSPECTED EVERY 7 DAYS AND WITHIN 24 HOURS OF A RAINFALL OF 1/2" OR MORE. THE FOLLOWING IS A LIST OF QUESTIONS THAT SHOULD BE ADDRESSED DURING EACH INSPECTION:

- DOES WATER FLOW AROUND THE DITCH CHECK?
- DOES WATER FLOW UNDER THE DITCH CHECK?
- DOES WATER FLOW THROUGH SPACES BETWEEN ABUTTING BALES?
- ARE ANY BALES AND/OR SCOUR APRONS (OPTIONAL) DISLODGED?
- ARE BALES DECOMPOSING DUE TO AGE AND/OR WATER DAMAGE?
- DOES SEDIMENT NEED TO BE REMOVED FROM BEHIND THE DITCH CHECK?



SECTION A-A



**STRAW BALE BARRIERS FOR AREA INLETS
(INLET PROTECTION)**

MATERIAL SPECIFICATION:

BALE AREA INLET BARRIERS SHOULD BE CONSTRUCTED OF WHEAT STRAW, OAT STRAW, PRAIRIE HAY, OR BROMEGRASS HAY THAT IS FREE OF WEEDS DECLARED NOXIOUS BY THE KANSAS STATE BOARD OF AGRICULTURE. THE STAKES USED TO ANCHOR THE BALES SHOULD BE A HARDWOOD MATERIAL WITH THE FOLLOWING MINIMUM DIMENSIONS: 2" SQUARE (NOMINAL) BY 4' LONG. TWINE SHOULD BE USED TO BIND BALES. THE USE OF WIRE BINDING IS PROHIBITED BECAUSE IT DOES NOT BIODEGRADE READILY.

PLACEMENT:

BALE AREA INLET BARRIERS SHOULD BE PLACED DIRECTLY AROUND THE PERIMETER OF A DROP INLET. WHEN A BALE AREA INLET BARRIER IS LOCATED NEAR AN INLET THAT HAS STEEP APPROACH SLOPES, THE STORAGE CAPACITY BEHIND THE BARRIER IS DRASTICALLY REDUCED. TIMELY REMOVAL OF SEDIMENT MUST OCCUR FOR A BARRIER TO OPERATE PROPERLY IN THIS LOCATION.

PROPER INSTALLATION METHOD:

EXCAVATE A TRENCH AROUND THE PERIMETER OF THE AREA INLET THAT IS AT LEAST 4" DEEP BY A BALE'S WIDTH WIDE. PLACE THE BALES IN THE TRENCH, MAKING SURE THAT THEY ARE BUTTED TIGHTLY. SOME BALES MAY NEED TO BE SHORTENED TO FIT INTO THE TRENCH AROUND THE AREA INLET. TWO STAKES SHOULD BE DRIVEN THROUGH EACH BALE, APPROXIMATELY 6" TO 8" IN FROM THE BALE ENDS. STAKES SHOULD BE DRIVEN AT LEAST 12" INTO THE GROUND. ONCE ALL THE BALES HAVE BEEN INSTALLED AND ANCHORED, PLACE THE EXCAVATED SOIL AGAINST THE RECEIVING SIDE OF THE BARRIER AND COMPACT IT. THE COMPACTED SOIL SHOULD BE NO MORE THAN 3" TO 4" DEEP. NOTE: WHEN A BALE AREA INLET BARRIER IS PLACED IN A SHALLOW MEDIAN DITCH, MAKE SURE THAT THE TOP OF THE BARRIER IS NOT HIGHER THAN THE PAVED ROAD. IN THIS CONFIGURATION, WATER MAY SPREAD ONTO THE ROADWAY CAUSING A HAZARDOUS CONDITION.

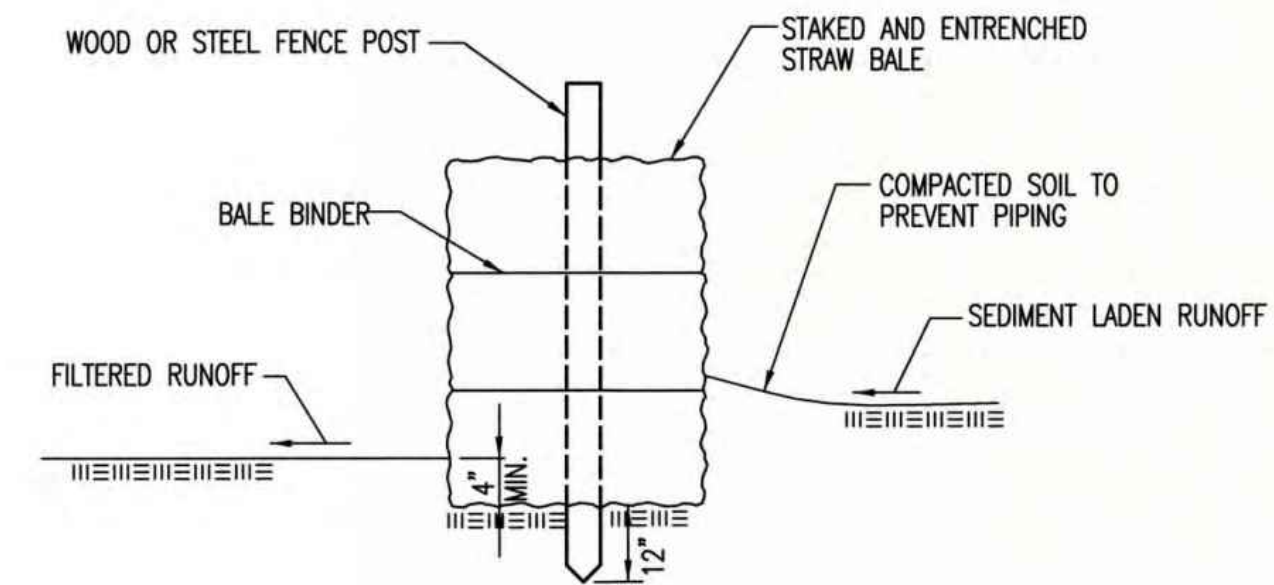
LIST OF COMMON PLACEMENT INSTALLATION MISTAKES TO AVOID:

BALES SHOULD BE PLACED DIRECTLY AGAINST THE PERIMETER OF THE AREA INLET. THIS ALLOWS OVERTOPPING WATER TO FLOW DIRECTLY INTO THE INLET INSTEAD OF ONTO NEARBY SOIL CAUSING SCOUR. BALE AREA INLET BARRIERS MUST BE DUG INTO THE GROUND. BALES AT GROUND LEVEL DO NOT WORK BECAUSE THEY ALLOW WATER TO FLOW UNDER THE BARRIER.

INSPECTION AND MAINTENANCE:

BALE AREA INLET BARRIERS SHOULD BE INSPECTED EVERY 7 DAYS AND WITHIN 24 HOURS OF A RAINFALL OF 1/2" OR MORE. THE FOLLOWING IS A LIST OF QUESTIONS THAT SHOULD BE ADDRESSED DURING EACH INSPECTION:

- DOES WATER FLOW UNDER THE AREA INLET BARRIER?
- DOES WATER FLOW THROUGH SPACES BETWEEN ABUTTING BALES?
- ARE ANY BALES DISLODGED?
- ARE BALES DECOMPOSING DUE TO AGE AND/OR WATER DAMAGE?
- DOES SEDIMENT NEED TO BE REMOVED FROM BEHIND THE AREA INLET BARRIER?



STRAW BALE BARRIERS

MATERIAL SPECIFICATION:

BALE SLOPE BARRIERS MAY BE CONSTRUCTED OF WHEAT STRAW, OAT STRAW, PRAIRIE HAY, OR BROMEGRASS HAY THAT IS FREE OF WEEDS DECLARED NOXIOUS BY THE KANSAS STATE BOARD OF AGRICULTURE. THE STAKES USED TO ANCHOR THE BALES SHOULD BE A HARDWOOD MATERIAL WITH THE FOLLOWING MINIMUM DIMENSIONS: 2" SQUARE (NOMINAL) BY 4' LONG. TWINE SHOULD BE USED TO BIND BALES. THE USE OF WIRE BINDING IS PROHIBITED BECAUSE IT DOES NOT BIODEGRADE READILY.

PLACEMENT:

A SLOPE BARRIER SHOULD BE USED AT THE TOE OF A SLOPE WHEN A DITCH DOES NOT EXIST. THE SLOPE BARRIER SHOULD BE PLACED ON NEARLY LEVEL GROUND 5' TO 10' AWAY FROM THE TOE OF A SLOPE. THE BARRIER IS PLACED AWAY FROM THE TOE OF THE SLOPE TO PROVIDE ADEQUATE STORAGE FOR SETTLING OUT SEDIMENT. WHEN PRACTICABLE, BALE SLOPE BARRIERS SHOULD BE PLACED ALONG CONTOURS TO AVOID A CONCENTRATION OF FLOW. BALE SLOPE BARRIERS CAN ALSO BE PLACED ALONG RIGHT-OF-WAY FENCE LINES TO KEEP SEDIMENT FROM CROSSING ONTO ADJACENT PROPERTY. WHEN PLACED IN THIS MANNER, THE SLOPE BARRIER WILL NOT LIKELY FOLLOW CONTOURS.

PROPER INSTALLATION METHOD:

EXCAVATE A TRENCH THE LENGTH OF THE PLANNED SLOPE BARRIER THAT IS 4" DEEP AND A BALE'S WIDTH WIDE. MAKE SURE THAT THE TRENCH IS EXCAVATED ALONG A SINGLE CONTOUR. WHEN PRACTICABLE, SLOPE BARRIERS SHOULD BE PLACED ALONG CONTOURS TO AVOID A CONCENTRATION OF FLOW. PLACE THE SOIL ON THE UPSLOPE SIDE OF THE TRENCH FOR LATER USE. PLACE THE BALES IN THE TRENCH, MAKING SURE THAT THEY ARE BUTTED TIGHTLY. TWO STAKES SHOULD BE DRIVEN THROUGH EACH BALE ALONG THE CENTERLINE OF THE DITCH CHECK, APPROXIMATELY 6" TO 8" IN FROM THE BALE ENDS. STAKES SHOULD BE DRIVEN AT LEAST 12" INTO THE GROUND. ONCE ALL THE BALES HAVE BEEN INSTALLED AND ANCHORED, PLACE THE EXCAVATED SOIL AGAINST THE UPSLOPE SIDE OF THE CHECK AND COMPACT IT. THE COMPACTED SOIL SHOULD BE NO MORE THAN 3" TO 4" DEEP.

LIST OF COMMON PLACEMENT/INSTALLATION MISTAKES TO AVOID:

WHEN PRACTICAL, DO NOT PLACE BALE SLOPE BARRIERS ACROSS CONTOURS. SLOPE BARRIERS SHOULD BE PLACED ALONG CONTOURS TO AVOID A CONCENTRATION OF FLOW. CONCENTRATED FLOW OVER A SLOPE BARRIER CREATES A SCOUR HOLE ON THE DOWNSLOPE SIDE OF THE BARRIER. THE SCOUR HOLE EVENTUALLY UNDERMINES THE BALES AND THE BARRIER FAILS. DO NOT PLACE BALE SLOPE BARRIERS IN AREAS WITH SHALLOW SOILS UNDERLAIN BY ROCK. IF THE BARRIER IS NOT ANCHORED SUFFICIENTLY, IT WILL WASH OUT. BALE SLOPE BARRIERS MUST BE DUG INTO THE GROUND. BALES AT GROUND LEVEL DO NOT WORK BECAUSE THEY ALLOW WATER TO FLOW UNDER THE BARRIER.

INSPECTION AND MAINTENANCE:

BALE SLOPE BARRIERS SHOULD BE INSPECTED EVERY 7 DAYS AND WITHIN 24 HOURS OF A RAINFALL OF 1/2" OR MORE. THE FOLLOWING IS A LIST OF QUESTIONS THAT SHOULD BE ADDRESSED DURING EACH INSPECTION:

- ARE THERE ANY POINTS ALONG THE SLOPE BARRIER WHERE WATER IS CONCENTRATING?
- DOES WATER FLOW UNDER THE SLOPE BARRIER?
- DOES WATER FLOW THROUGH SPACES BETWEEN ABUTTING BALES?
- ARE ANY BALES DISLODGED?
- ARE BALES DECOMPOSING DUE TO AGE AND/OR WATER DAMAGE?
- DOES SEDIMENT NEED TO BE REMOVED FROM BEHIND THE SLOPE BARRIER?

REVISION DATE: MAY 2013



STRAW BALE DITCH CHECK AND BARRIER DETAILS

CITY ENGINEER
GARY JANZEN, P.E.

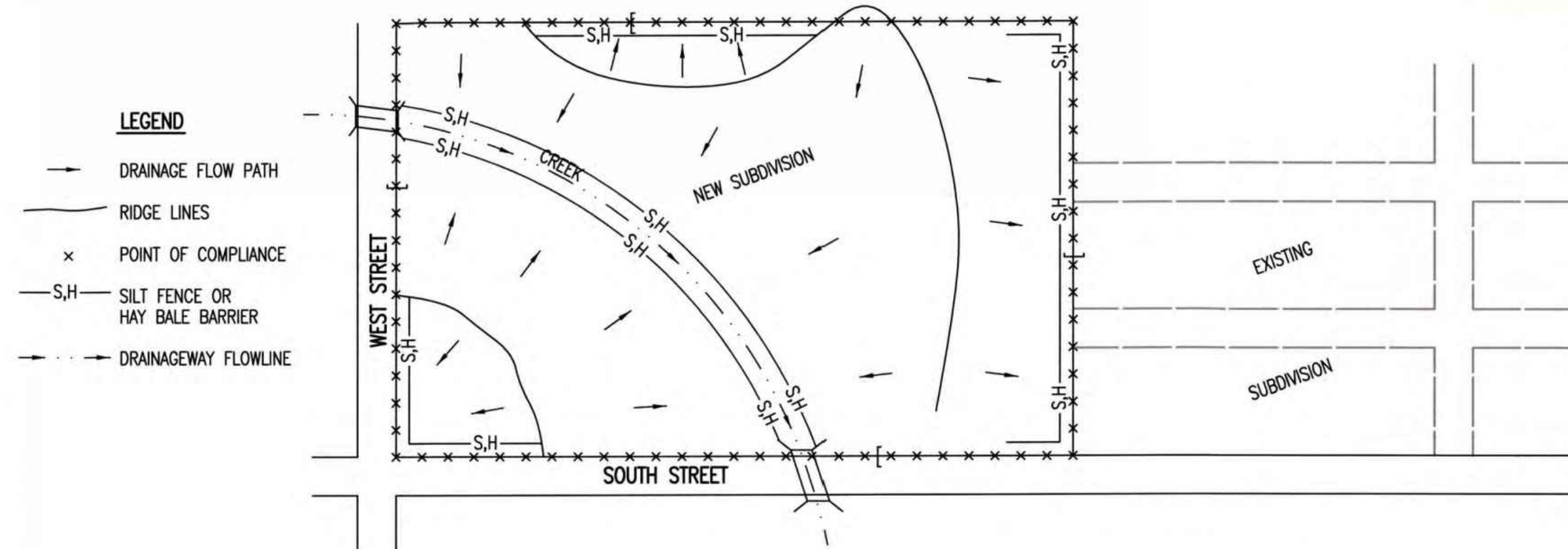
PROJECT NUMBER OCA NUMBER DATE

CITY ENGINEER'S OFFICE
CITY HALL - SEVENTH FLOOR
455 NORTH MAIN STREET
WICHITA, KANSAS 67202-1620
(316) 268-4501

SHEET

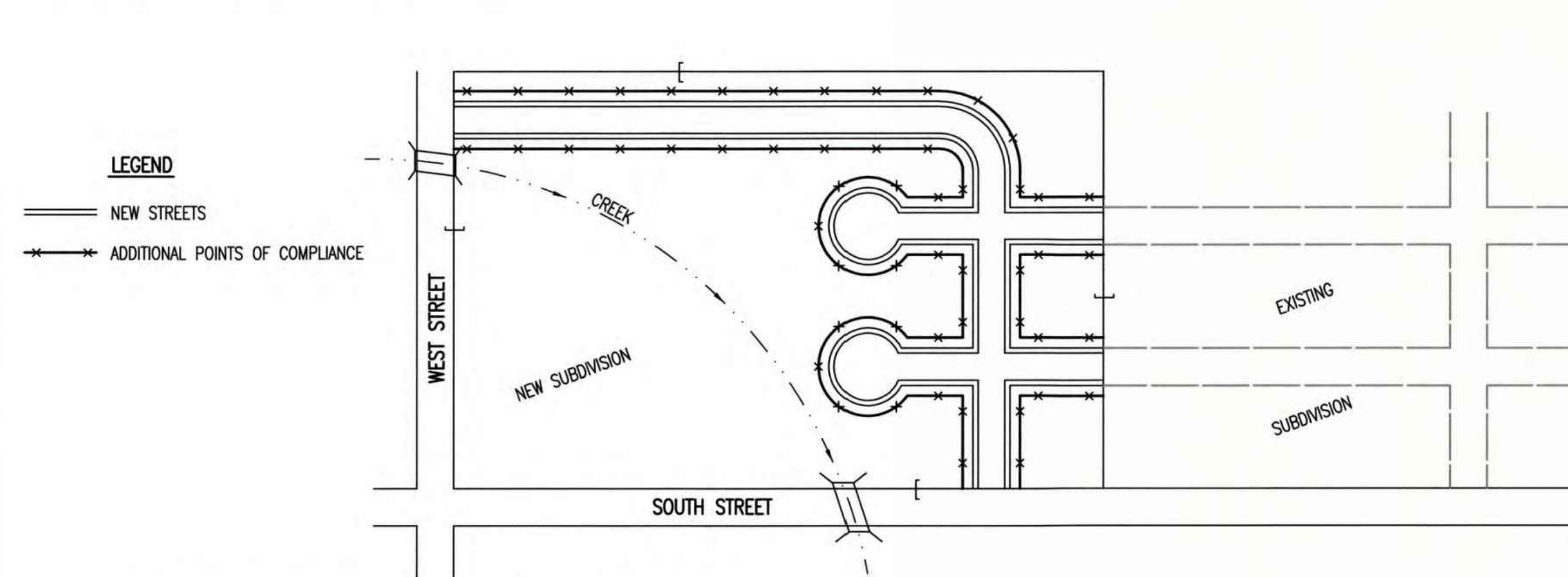
LA QUINTA INN 2660 N GREENWICH COURT WICHITA, KANSAS	EROSION CONTROL DETAILS	PROJ. NO.	G15_0227
		DESIGNER	SRS
DRAWN BY	EAM	CFN	0227DDET
		SHEET	12
REV		0	2-03-16
DESCRIPTION		PRELIM SET FOR COW REVIEW	DSN
DATE		2-03-16	DWN
REV		0	CHK

PHASE 1 – INITIAL EARTHWORK AND UTILITIES (EXCEPT STORM SEWER)



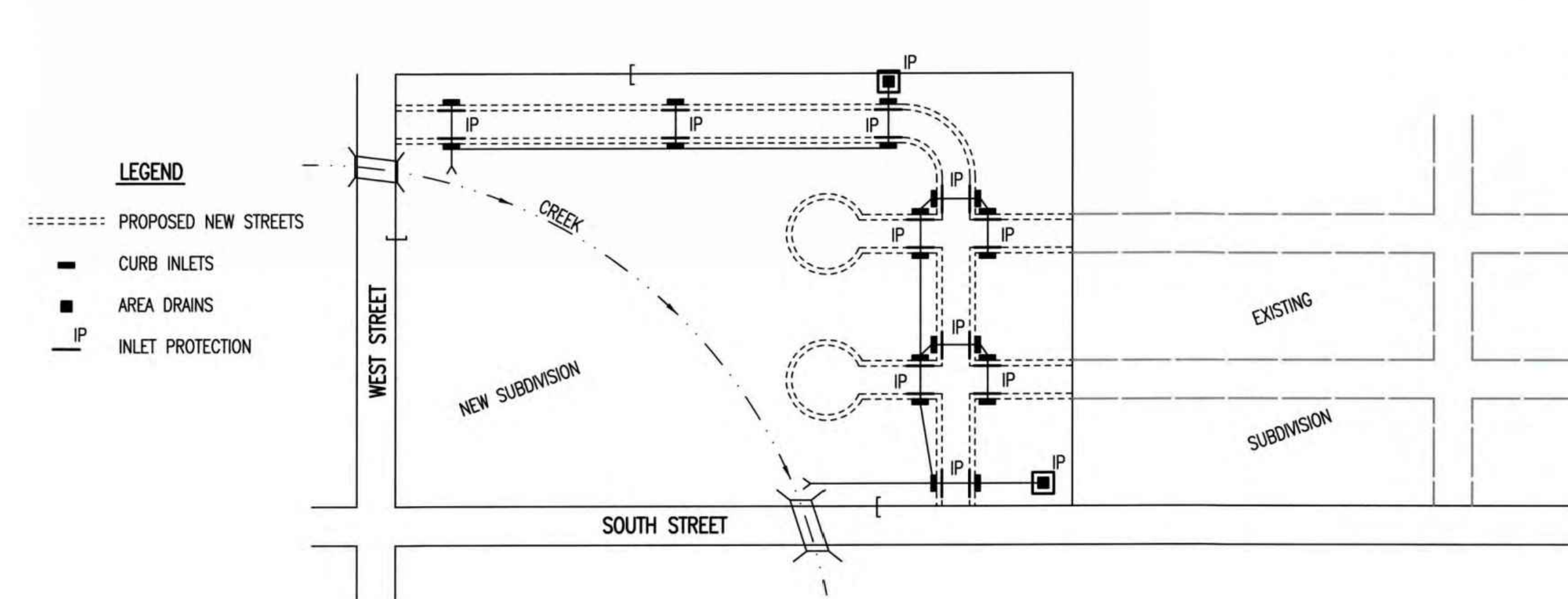
- DURING THIS PHASE OF SUBDIVISION CONSTRUCTION, THE POINTS OF COMPLIANCE ARE THE PERIMETER BOUNDARIES AND ANY DRAINAGE WAYS OR STORM SEWERS DRAINING THROUGH OR FROM THE SITE. SHOULD LAKES BE CONSTRUCTED WITHIN THE SUBDIVISION THAT WILL DISCHARGE DURING STORMS, THEY ARE ALSO A POINT OF COMPLIANCE.
- HAY BALES OR SILT FENCE MUST BE CONSTRUCTED ALONG THE PROPERTY LINE WHERE ON SITE WATER CAN DRAIN OFF THE PROPERTY. THESE EROSION CONTROL DEVICES WILL ALSO BE INSTALLED ALONG ANY DRAINAGE DITCH OR LAKE THAT CAN DISCHARGE.
- SHOULD SILT OR SEDIMENT ENTER THE DITCHES OR STREETS ON THE ADJACENT BOUNDARY STREETS, APPROPRIATE EROSION CONTROL DEVICES WILL BE PLACED WITHIN THE SUBDIVISION TO PREVENT THIS.
- ANY MUD TRACKED ONTO ADJACENT STREETS WILL BE REMOVED WITHIN 48 HOURS OR BY FRIDAY AT 6:00 PM, WHICHEVER IS EARLIER.
- CONTRACTORS WORKING WITHIN THE SITE WILL NOT BE REQUIRED TO USE INDIVIDUAL EROSION CONTROL DEVICES AS LONG AS THOSE SPECIFIED ABOVE ARE IN PLACE AND EFFECTIVE. CONTRACTORS WORKING ON THE BOUNDARY LINE STREETS OR ON ADJACENT PROPERTIES TO EXTEND UTILITIES ARE EXPECTED TO USE EROSION CONTROL DEVICES AT THEIR WORK LOCATIONS, AS NEEDED.
- UTILIZE STABILIZED CONSTRUCTION ENTRANCE AT ENTRANCE AND EXIT ONTO ANY EXISTING PUBLIC STREETS.
- IF THE INITIAL EARTH WORK AND UTILITIES ARE DONE AS PART OF A PUBLIC IMPROVEMENT PROJECT, THESE EROSION CONTROL DEVICES WILL BE INSTALLED BY THE CONTRACTOR AS SPECIFIED IN THE INDIVIDUAL PROJECT CONTRACTS. THE CONTRACTOR WILL MAINTAIN THE DEVICES UNTIL COMPLETION OF THE CONTRACT, AT WHICH TIME THE DEVELOPER WILL ASSUME MAINTENANCE RESPONSIBILITIES. IF THESE CONTRACTS ARE NOT PUBLIC IMPROVEMENT PROJECTS, THE DEVELOPER WILL BE RESPONSIBLE FOR INSTALLING AND MAINTAINING THESE DEVICES.
- WITHIN 14 DAYS OF COMPLETION OF EARTHWORK ACTIVITIES IN ANY GIVEN AREA, THAT AREA SHALL BE TEMPORARILY OR PERMANENTLY SEEDED AND MULCHED.

PHASE 3 – STREET CONSTRUCTION



- DURING THIS PHASE OF SUBDIVISION CONSTRUCTION, NEW STREETS ARE INSTALLED. ALL EROSION CONTROL DEVICES INSTALLED DURING PHASE 1 AND 2 MUST STILL BE MAINTAINED. THE POINT OF COMPLIANCE NOW SHIFTS TO THE BACK OF CURB ALONG EACH STREET.
- CURB OPENING INLET PROTECTION:
 - SUMP AREAS – INLET PROTECTION SHALL BE PROVIDED WHEN STREET SUBGRADE WORK IS COMPLETED.
 - NON-SUMP LOCATIONS – PROVIDE INLET PROTECTION AS SOON AS BASE COURSE ASPHALT IS INSTALLED, BEFORE THE SURFACE COURSE LIFT.
- EROSION CONTROL DEVICES WILL BE REQUIRED BACK OF CURB WHEREVER WATER CAN FLOW OVER THE CURB AND THE CURB HAS BEEN BACKFILLED TO WITHIN 3" OR LESS OF THE TOP OF CURB (SEE CURB BACKFILL DETAIL). FOR CURBS NOT YET ENTIRELY BACKFILLED (3" OR MORE BELOW TOP OF CURB), ADDITIONAL DEVICES WILL BE REQUIRED AT POINTS WHERE WATER BREAKS OVER CURB WHICH COULD RESULT IN THE PLACEMENT OF SEDIMENT IN THE GUTTER.
- SEE DETAIL SHEET FOR BACK OF CURB PROTECTION.
- THE BACK OF CURB PROTECTION SPECIFIED ON THIS PLAN MAY HAVE TO BE SUPPLEMENTED WITH HAY BALE OR SILT FENCE EROSION CONTROL DEVICES AT LOCATIONS WHERE CONCENTRATED FLOW RESULTS IN SEDIMENT BEING CARRIED OVER THE EXCELSIOR MATS.
- THE STREET CONTRACTOR WILL BE RESPONSIBLE FOR INSTALLING BACK OF CURB EROSION CONTROL DEVICES.
- THE INDIVIDUAL LOT OWNERS WILL BE RESPONSIBLE FOR MAINTAINING THE BACK OF CURB EROSION CONTROL DEVICES IN FRONT OF THEIR LOTS UNTIL SUCH TIME AS ADJACENT DISTURBED EARTH IS STABILIZED WITH GRASS OR SOD.

PHASE 2 – INSTALLATION OF STORM SEWER

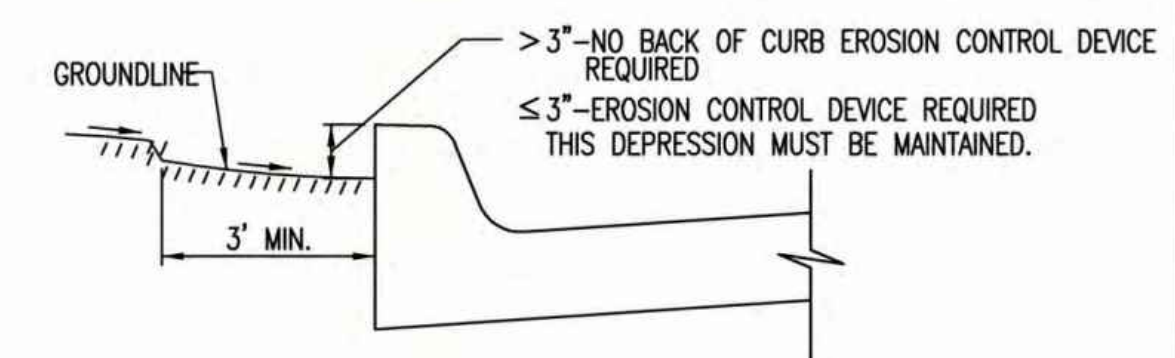


- DURING THIS PHASE OF SUBDIVISION DEVELOPMENT, ALL EROSION CONTROL DEVICES REQUIRED IN PHASE 1 SHALL REMAIN IN PLACE AND BE MAINTAINED.
- AS NEW STORM SEWERS, WITH INLETS, ARE INSTALLED, THE STORM SEWERS MUST NOW BE PROTECTED SO ALL NEW INLETS BECOME POINTS OF COMPLIANCE.
- AREA DRAINS – AS SOON AS WATER CAN FLOW INTO THESE DRAINS, HAY BALE OR SILT FENCE PROTECTION WILL BE INSTALLED AROUND THEM.
- CURB OPENING INLETS – AS SOON AS WATER CAN FLOW INTO THESE DRAINS, INLET PROTECTION DEVICES MUST BE INSTALLED. IF WATER CANNOT FLOW INTO CURB INLETS UNTIL STREET CONSTRUCTION IS COMPLETE, THEN STREET CONTRACTOR WILL INSTALL INLET PROTECTION. SEE PHASE 3 – STREET CONSTRUCTION.
- THE STORM SEWER CONTRACTOR WILL BE RESPONSIBLE FOR INSTALLING THESE DEVICES.
- THE SUBDIVISION DEVELOPER WILL MAINTAIN THESE EROSION CONTROL DEVICES ONCE INSTALLED.
- ALL DISTURBED GROUND WILL BE FINAL GRADED AND TEMPORARILY OR PERMANENTLY SEEDED WITHIN 14 DAYS IF COMPLETION OF WORK IN ANY GIVEN PART OF THE SUBDIVISION.
- ONCE ALL DISTURBED GROUND DRAINING TO AN INLET HAS BEEN RESTABILIZED WITH GRASS OR SOD, THE SUBDIVISION DEVELOPER WILL BE RESPONSIBLE FOR PERMANENTLY REMOVING THE INLET PROTECTION.

GENERAL NOTES

- THE INTENT OF ALL EROSION CONTROL DEVICES IS TO PREVENT ERODED SOIL FROM ENTERING DITCHES, STORM SEWERS, LAKES, STREETS OR ANY OTHER DRAINAGE FEATURE.
- THIS SHEET IS INTENDED TO PROVIDE GUIDELINES AS TO WHAT TYPE OF EROSION CONTROL DEVICES WILL BE INSTALLED DURING THE CONSTRUCTION PROCESS. CONTRACTORS ARE EXPECTED TO BID PROJECTS ACCORDINGLY.
- EROSION CONTROL DEVICES SHALL BE MAINTAINED DURING THE CONSTRUCTION PROCESS TO REMAIN EFFECTIVE. MAINTENANCE SHALL BE AS INDICATED ON SOIL EROSION BMP'S DETAIL SHEETS.
- PERSONS DESTROYING EROSION CONTROL DEVICES SHALL BE RESPONSIBLE FOR IMMEDIATELY REPAIRING THEM OR INSTALLING SUITABLE REPLACEMENT DEVICES.
- THE DEVELOPMENT OF ANY SUBDIVISION THAT DISTURBS 1 ACRE OR MORE WILL REQUIRE A FEDERAL/STATE NPDES STORMWATER PERMIT. THE PREPARATION OF A STORMWATER POLLUTION PREVENTION PLAN IS REQUIRED. EROSION CONTROL DEVICES ARE REQUIRED. THE DETAILS SHOWN ON THIS SHEET ARE THE MINIMUM STANDARDS TO BE SHOWN ON POLLUTION PREVENTION PLANS.
- FOR SUBDIVISIONS SMALLER THAN 1 ACRE, SOIL EROSION DEVICES ARE REQUIRED. ALSO, DEVELOPERS AND CONTRACTORS ARE ENCOURAGED TO DEVELOP POLLUTION PREVENTION PLANS FOR EACH PROJECT PRIOR TO CONSTRUCTION.
- FAILURE TO USE AND MAINTAIN SOIL EROSION DEVICES IS A VIOLATION OF SECTION 16.32 OF THE CITY CODE AND WILL SUBJECT THE SUBDIVISION DEVELOPER AND CONTRACTORS TO THE PENALTIES PROVIDED THEREIN.
- THE APPLICATION OF EROSION CONTROL DEVICES SHOWN ON THIS SHEET IS FOR SITUATIONS NORMALLY ENCOUNTERED. FROM TIME TO TIME, SITUATIONS WILL ARISE THAT MAY REQUIRE DEVICES OTHER THAN THAT SHOWN. EROSION CONTROL DEVICES, OTHER THAN THOSE SHOWN, MAY BE UTILIZED SO LONG AS THEY ARE EFFECTIVE AND MAINTAINED.
- A STABILIZED EARTH SURFACE IS DEFINED AS ONE THAT IS HARD SURFACED WITH CONCRETE, ASPHALT, OR THE LIKE, OR ONE ON WHICH 70% OF THE GRASS HAS GERMINATED ON THE ENTIRE SURFACE.

SEE DETAIL SHEET FOR BACK OF CURB PROTECTION DETAIL



CURB BACKFILL DETAIL (STREET CONSTRUCTION ONLY)

THIS IS A TEMPORARY MEASURE ONLY, WHEN APPROVED BY THE PROJECT ENGINEER. THE DIRT GRADE BEHIND THE CURB SHALL BE BROUGHT TO THE TOP OF CURB, WITH TEMPORARY EROSION CONTROL MAT OR PERMANENT VEGETATION PLACED, PRIOR TO THE COMPLETION OF ALL PROJECTS.

REVISION DATE: MAY 2013



SUBDIVISION DEVELOPMENT PROCESS		
CITY ENGINEER GARY JANZEN, P.E.		
PROJECT NUMBER	OCA NUMBER	DATE
CITY ENGINEER'S OFFICE CITY HALL - SEVENTH FLOOR 455 NORTH MAIN STREET WICHITA, KANSAS 67202-1620 (316) 268-4501		
SHEET		

PROJ. NO.	G15_0227	DESIGNER	SRS	DRAWN BY	EAM
CFN	0227DDET	SHEET	14	REV	0
REV	0	DATE	2-03-16	DESCRIPTION	PRELIM SET FOR COW REVIEW
SCOTT R. SERVIS ENGINEER KS # 17874					
200 N. EMPORIA, SUITE 100 WICHITA, KANSAS 67203-4400-4309 PH: (316) 268-4501 www.kawvalley.com info@kawvalley.com					
KAW VALLEY ENGINEERING KAW VALLEY ENGINEERING, INC. IS AUTHORIZED TO OFFER ENGINEERING SERVICES IN THE STATE OF KANSAS UNDER CERTIFICATE OF AUTHORIZATION # E-113. EXPIRES 12/31/16.					
LA QUINTA INN 2660 N GREENWICH COURT WICHITA, KANSAS					
EROSION CONTROL DETAILS					

