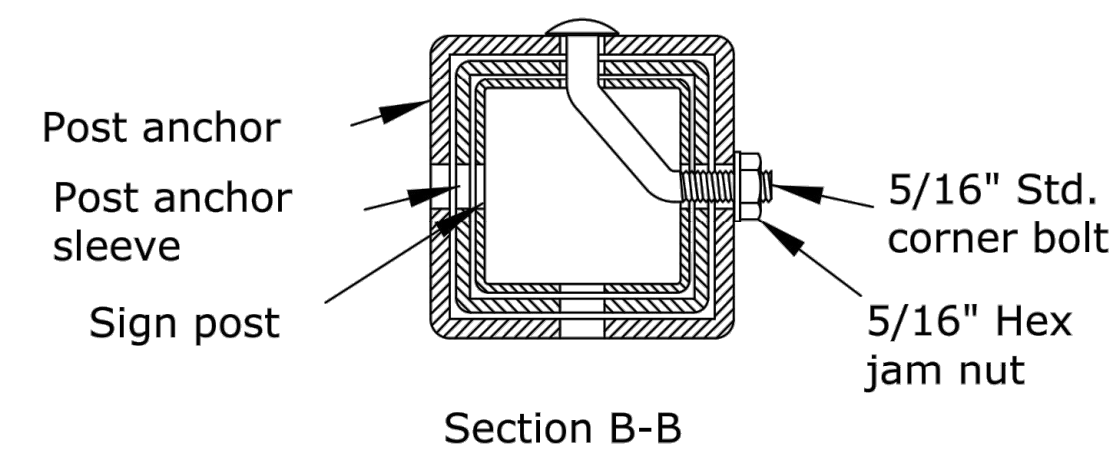
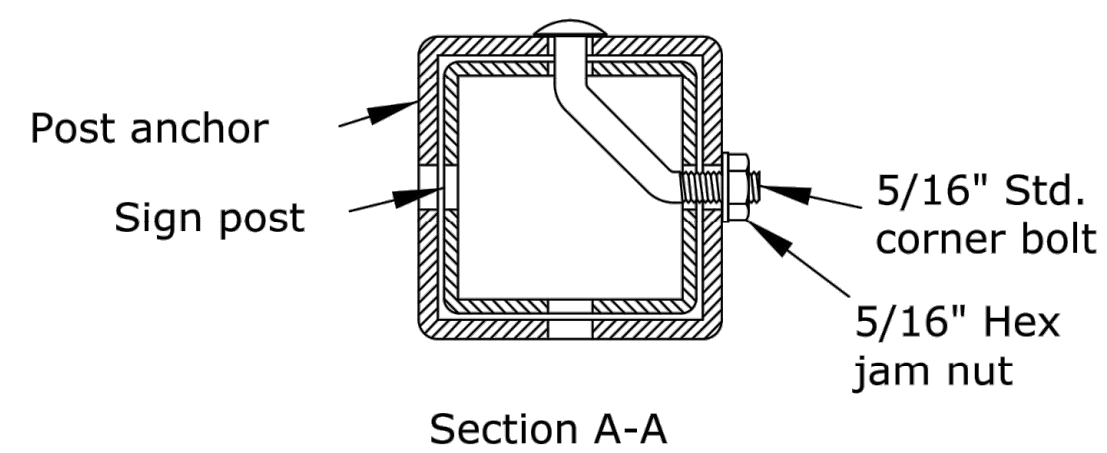
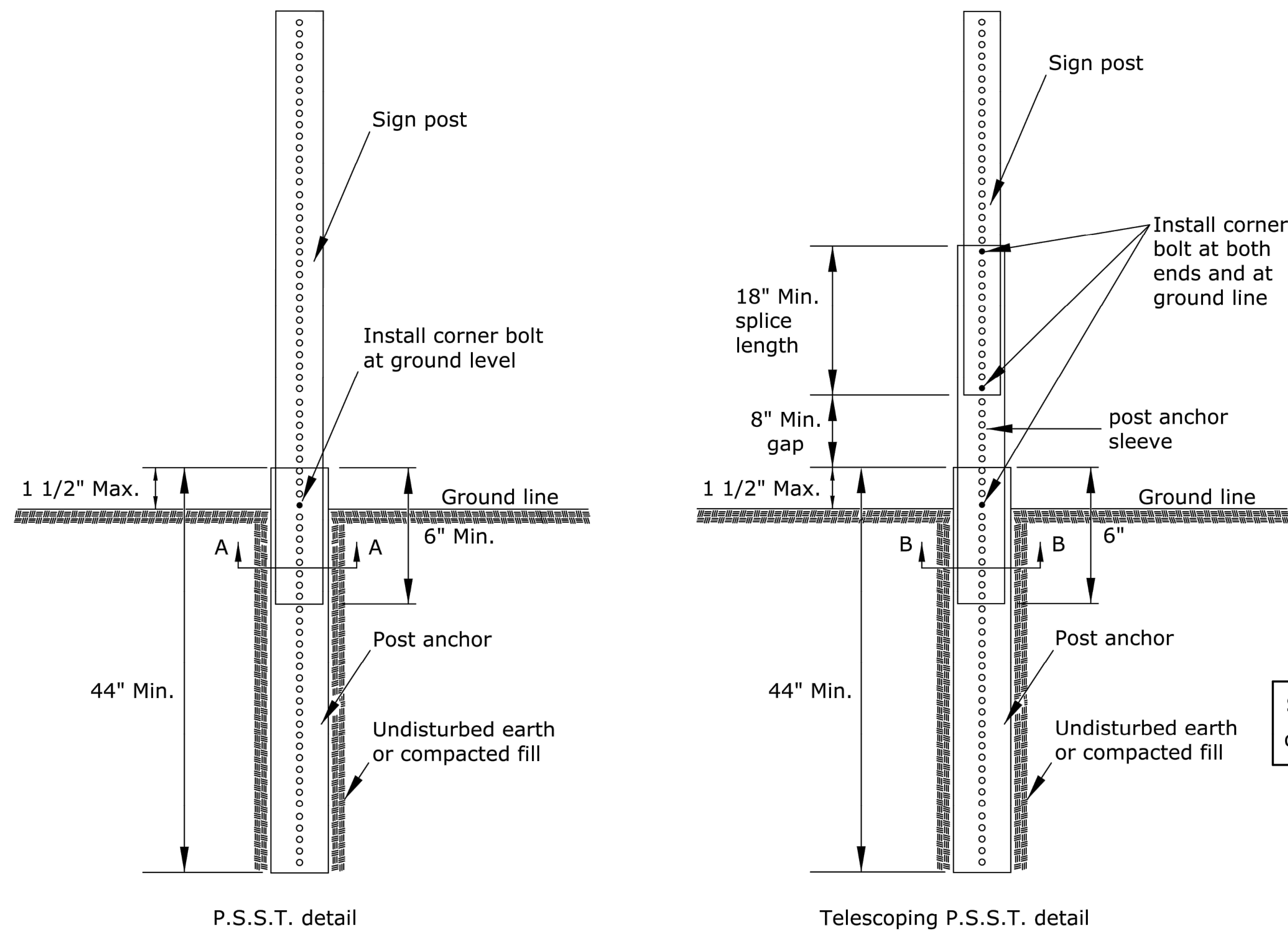
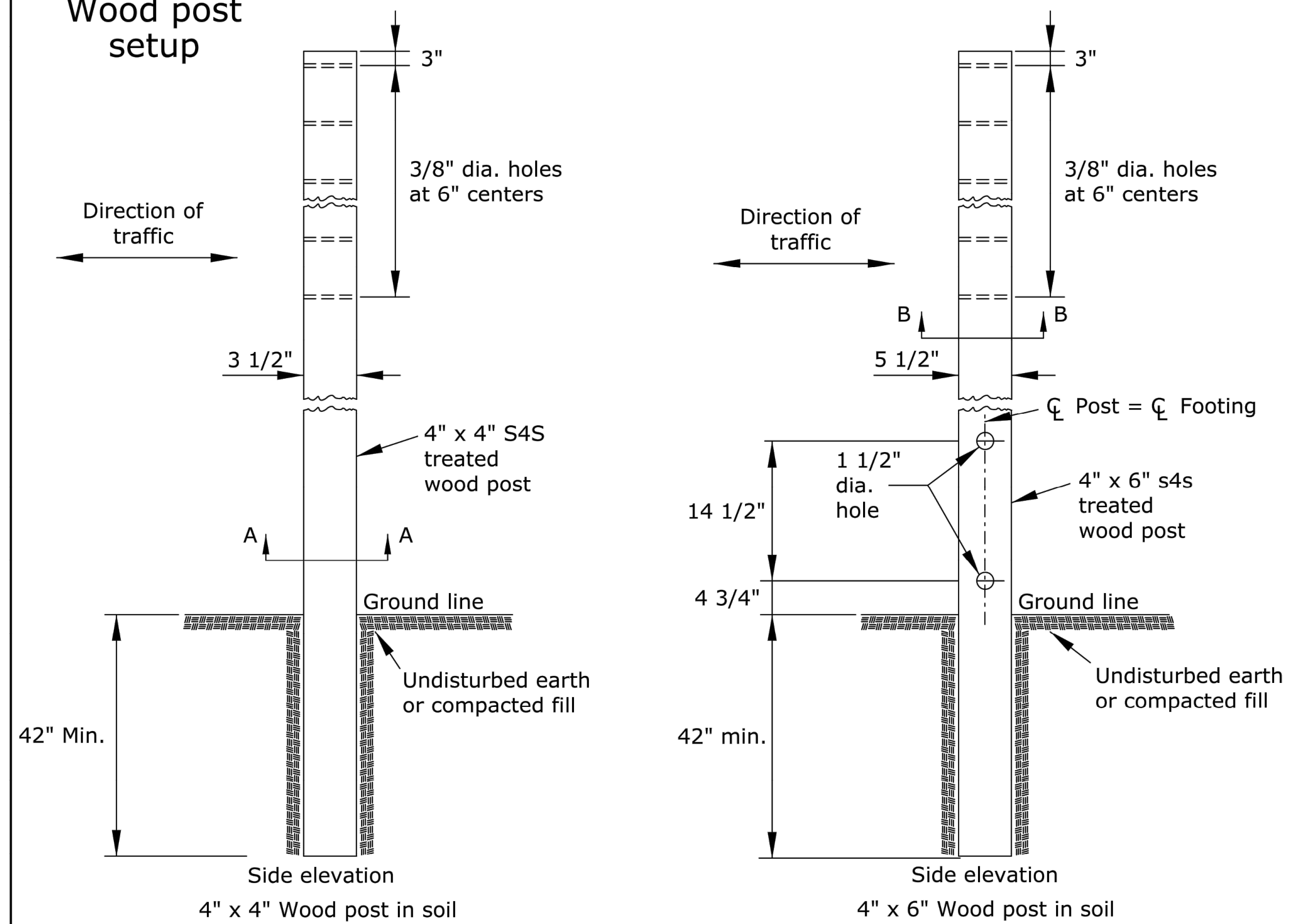


Perforated square steel tube (P.S.S.T.) post setup

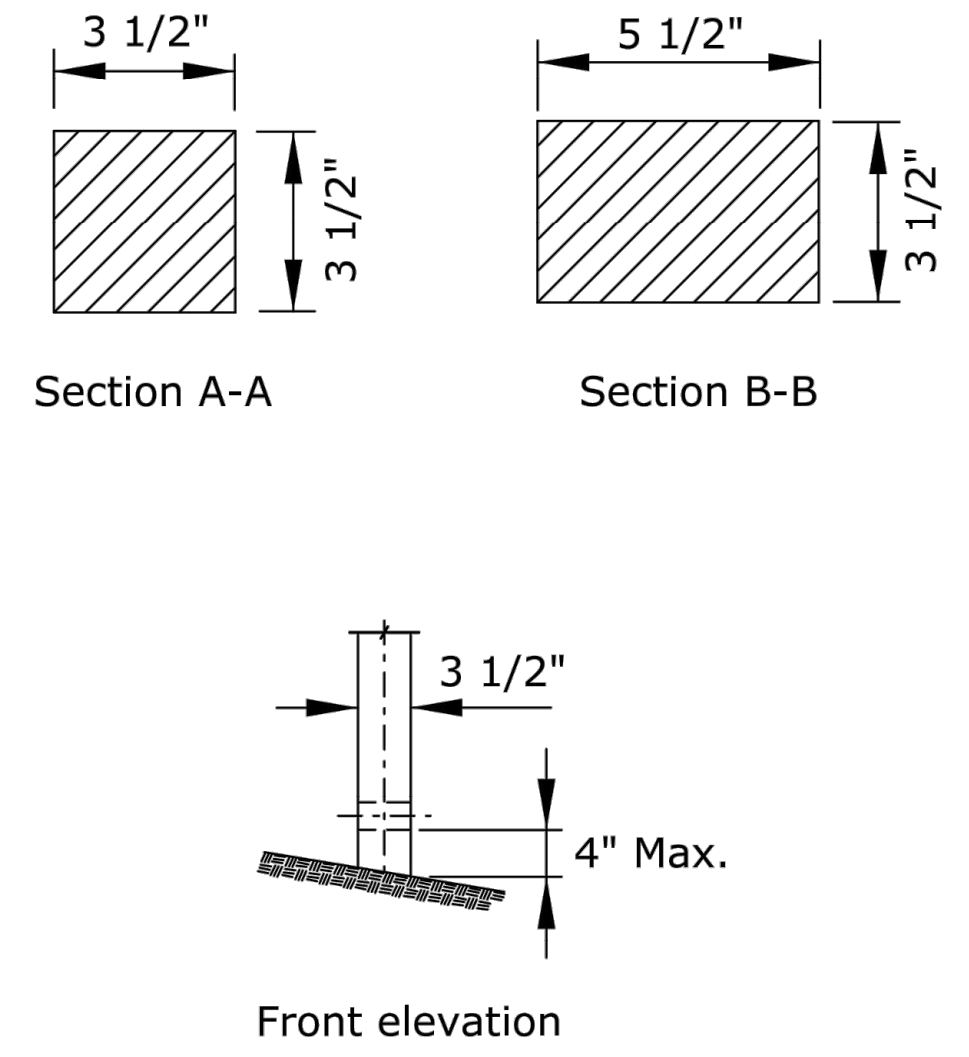


Details for 2", 2 1/4", or 2 1/2" sign posts
Place bolts in the same corner along each sign post.

Wood post setup

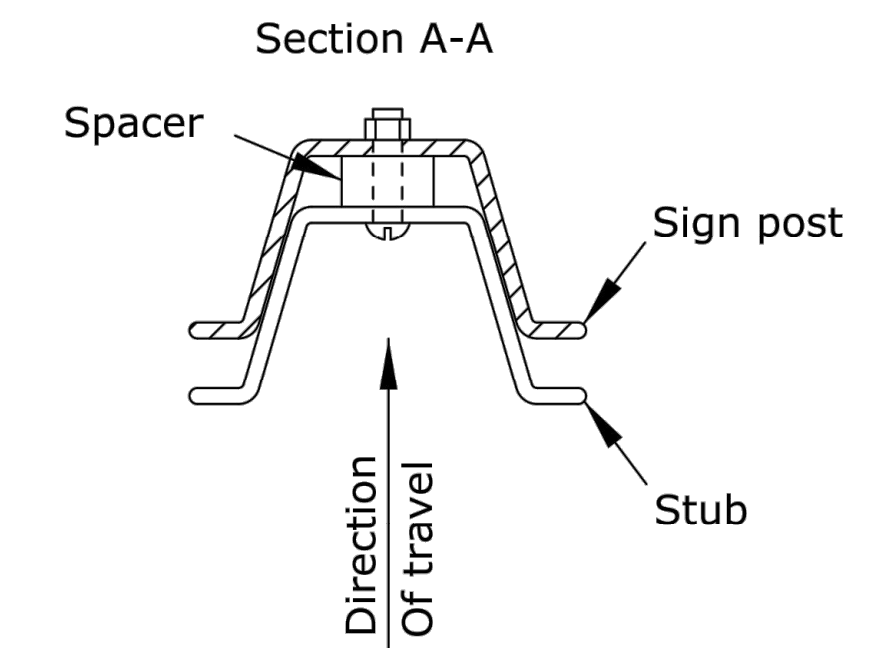
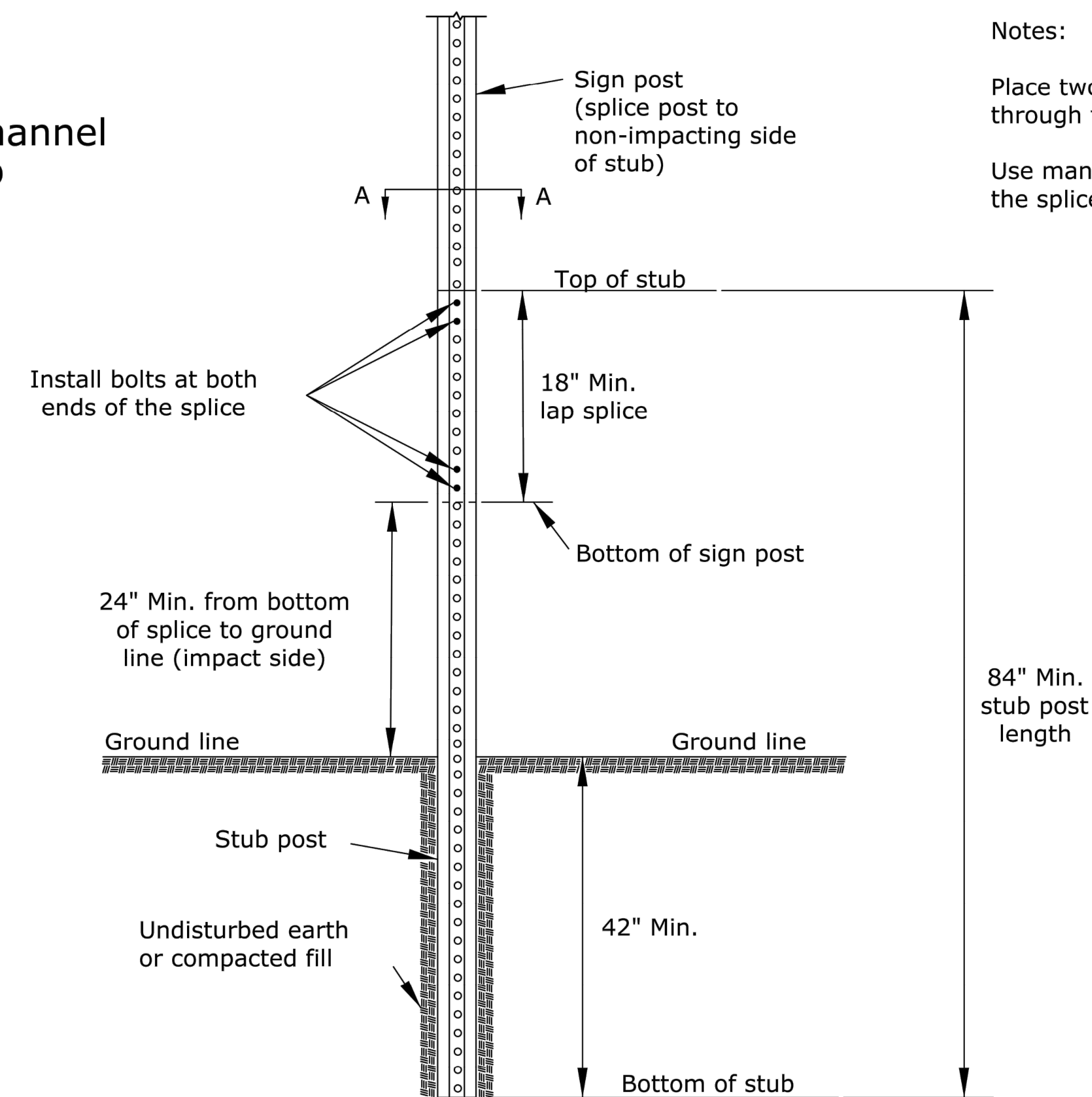


STATE	PROJECT NO.	YEAR	SHEET NO.	TOTAL SHEETS
KANSAS	472-85215	2016	53	54



See TE710 for additional details and requirements

3 lb/f U-Channel setup



NO.	DATE	REVISIONS	BY	APP'D
3				
2				
1				

KANSAS DEPARTMENT OF TRANSPORTATION

TRAFFIC CONTROL SIGN POSTS

TE712

DESIGNED: B.A.H. DETAIL: R.W.B. QUANTITIES: TRACED: KRISTINA PYLE
 DESIGN CK.: DETAIL CK.: QUAN. CK.: TRACE CK.: