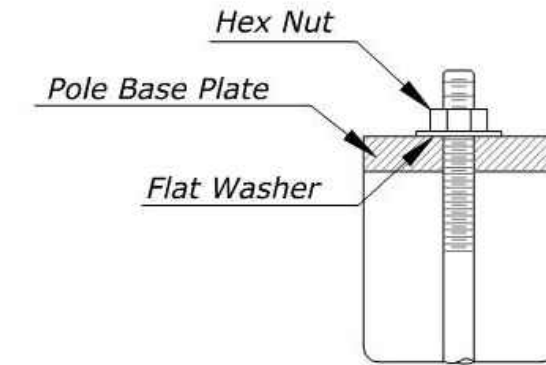
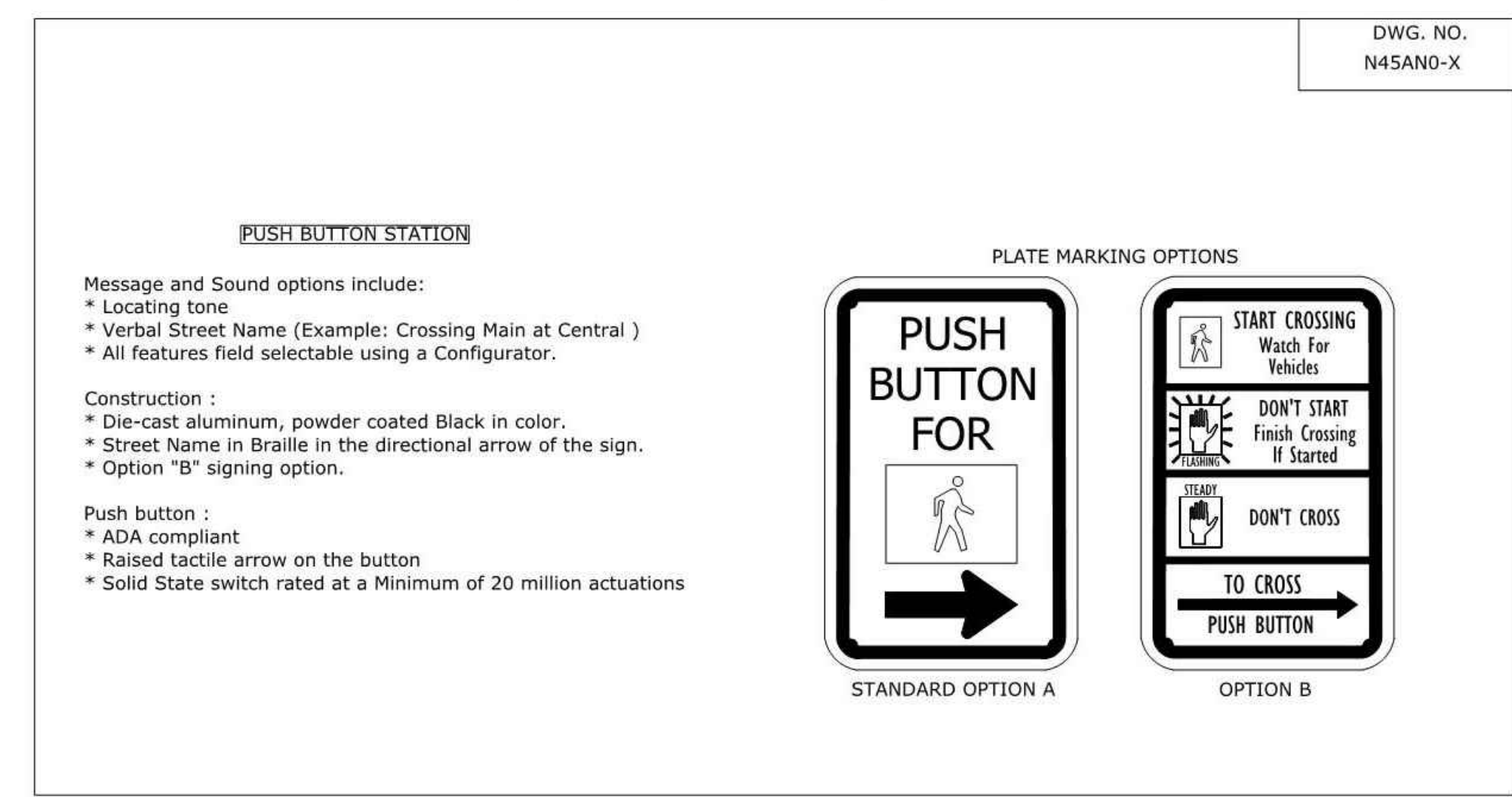
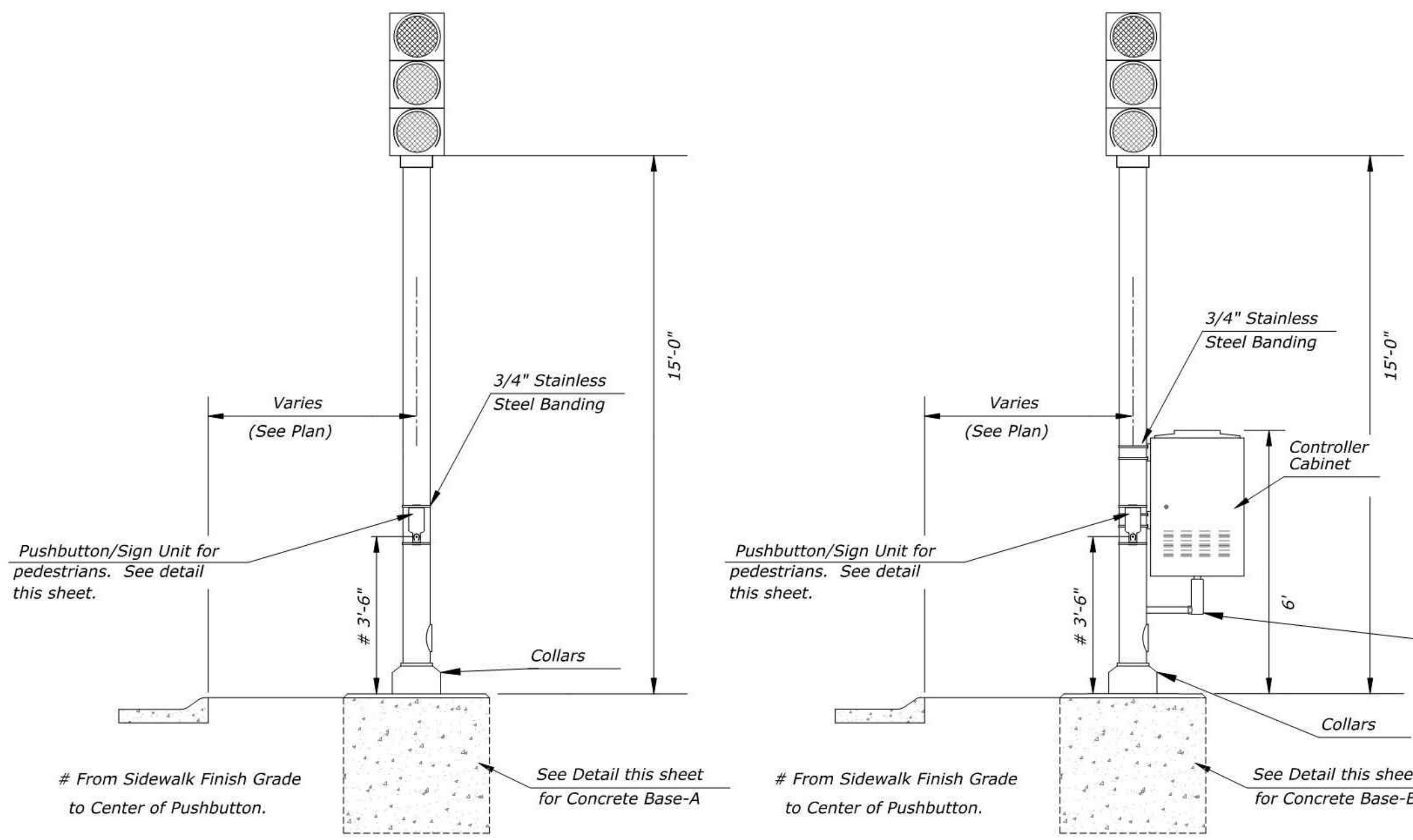
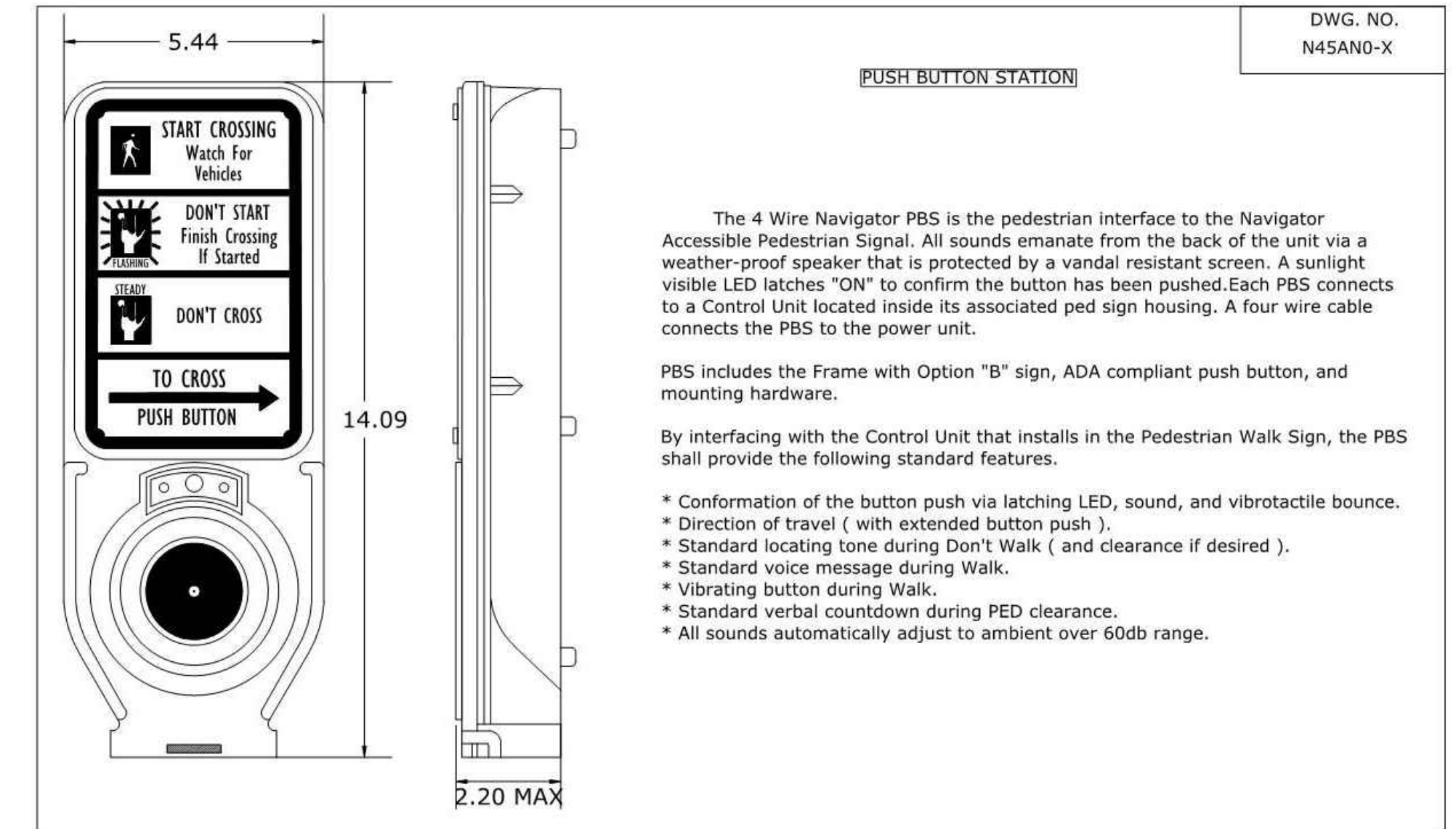
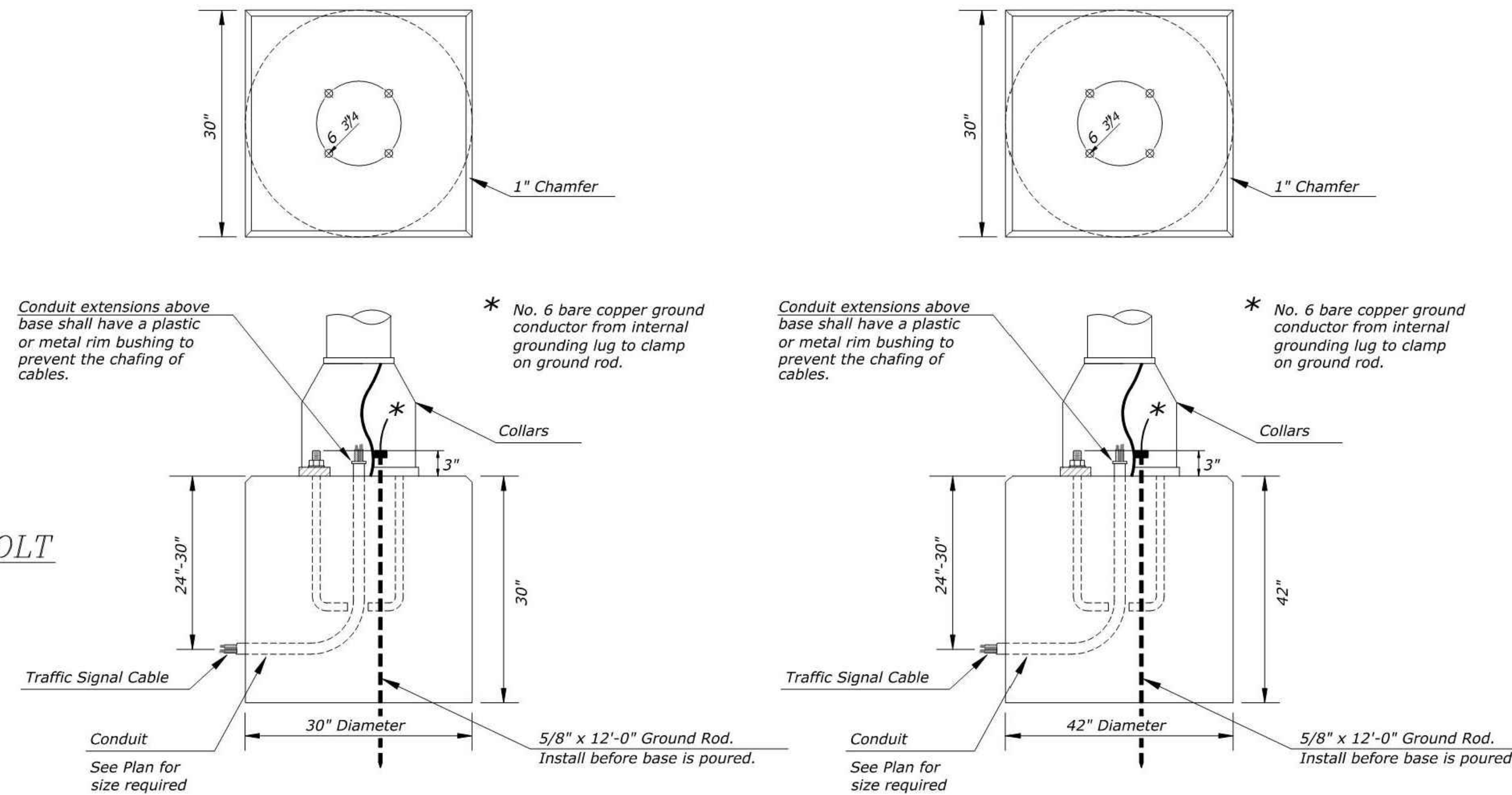


Use Keystone "No-Weld Number 1 Anti-Seize Compound" on all bolts & nuts.



**ANCHOR BOLT
DETAIL**



SIGNAL PEDESTAL & BASE WITH ADA PUSH BUTTON

TRAFFIC ENGINEER
BRIAN A. COON P.E.

PROJECT NUMBER OCA NUMBER DATE

CITY ENGINEER'S OFFICE
CITY HALL - SEVENTH FLOOR
455 NORTH MAIN STREET
WICHITA, KANSAS 67202-1620
(316) 268-4501

SHEET

CENTRAL AND NIMS SIGNALIZATION
PROJECT NUMBER 472-85280
WICHITA, KANSAS

SIGNAL PEDESTAL & BASE WITH ADA PUSH BUTTON

PROJ. NO. F18D0205
DESIGNER KDB DRAWN BY NMP
CFN
SHEET 0205DET REV
22 OF 36 0

1104 E. 12TH AVENUE
EMPORIA, KANSAS 66801
PH. (620) 208-5240 | FAX (785) 762-7744
emp@kveeng.com | www.kveeng.com

KAW VALLEY ENGINEERING

KAW VALLEY ENGINEERING, INC., IS AUTHORIZED TO OFFER ENGINEERING SERVICES BY KANSAS STATE CERTIFICATE OF AUTHORIZATION # E-113. EXPIRES 12/31/18

0	6-7-17	BID SET	DESCRIPTION
REV	DATE		
DSN	DWN	CHK	
KDB			
KDB			