

**BENCHMARKS:**

**BM #1:** Disc on Top of Curb  
South side of 27th St. N. and  
West of 27th Ct. N. Woods  
North 3rd Addition  
Elev. = 1397.69 NAVD88

**BM #2:** Northwest 1/4 Corner,  
Government Lot 2, Sec. 3, TWP.  
27-S, R-2-E  
Elev. = 1405.78 NAVD88

Curve #8  
Curve Data Based on Face of Curb  
Rad. = 175' Delta = 77°21' Tangent = 10.89'  
Arc = 21.76' L.C. = 21.74' Def./Ft. = 9.84677 Min.

Station / Offset	Face Arc Length	Face Chord Lengths	Defl.	Total Defl.
Sta. 17+17.78/17.00' Lt.	-	-	0'00"00"	0'00"00"
Sta. 17+28.65/17.34' Lt.	10.88'	11.38'	1'46"50"	1'46"50"
Sta. 17+39.48/18.35' Lt.	10.88'	11.38'	1'46"50"	3'33"40"

Curve #9  
Curve Data Based on Face of Curb  
Rad. = 175' Delta = 77°21' Tangent = 10.89'  
Arc = 21.754' L.C. = 21.74' Def./Ft. = 9.84677 Min.

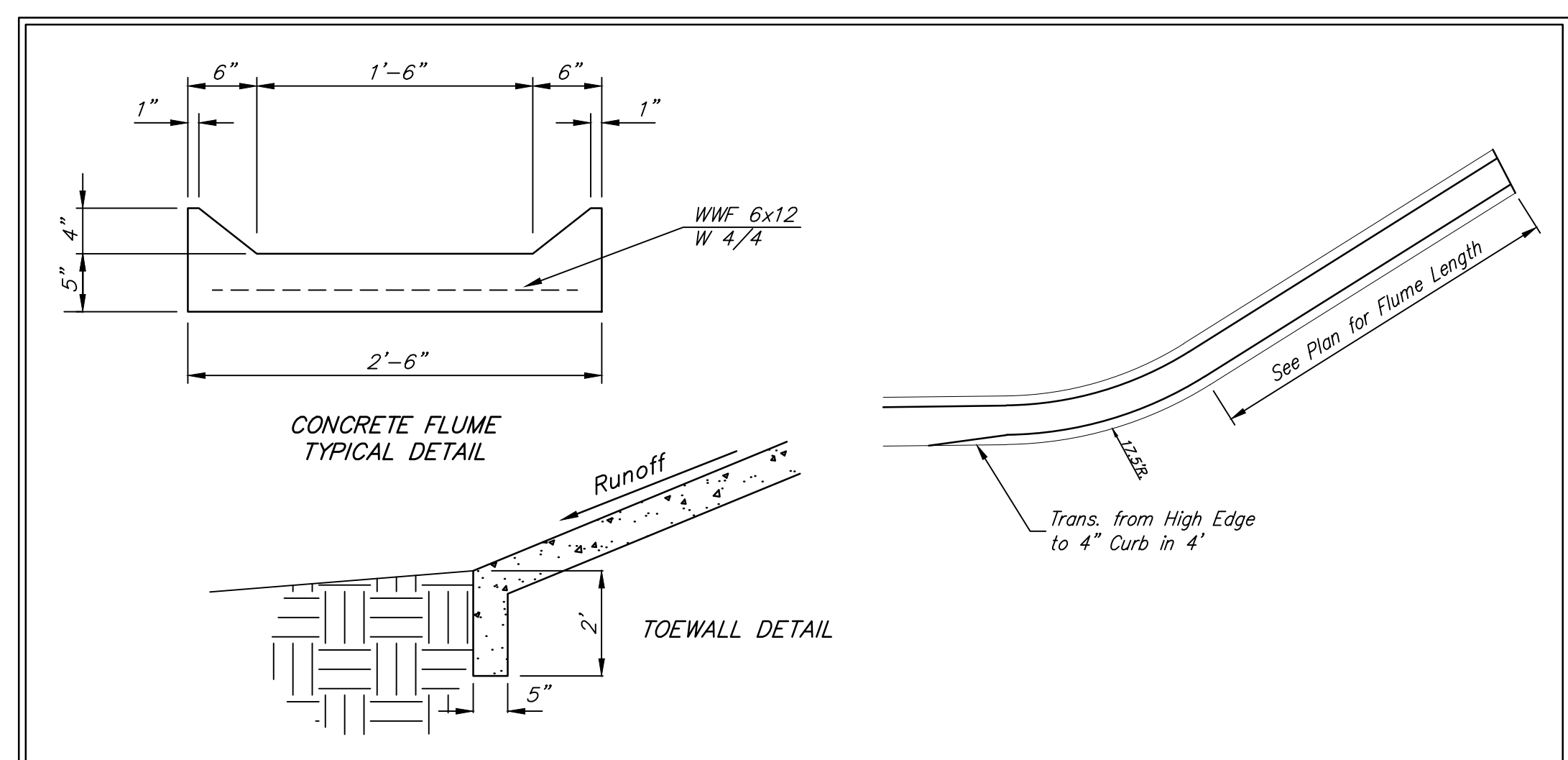
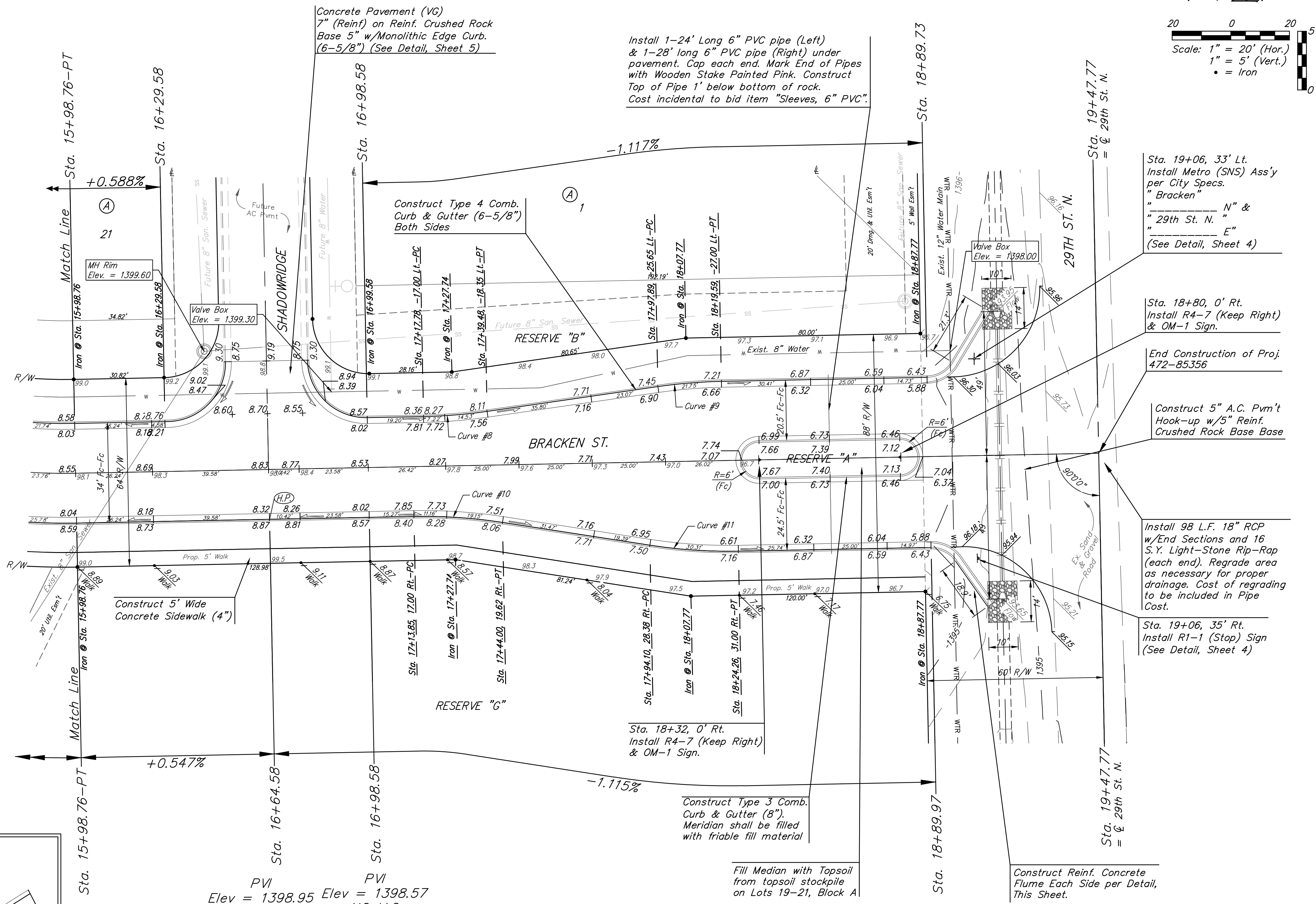
Station / Offset	Face Arc Length	Face Chord Lengths	Defl.	Total Defl.
Sta. 17+97.89/25.65' Lt.	-	-	0'00"00"	0'00"00"
Sta. 18+08.72/26.66' Lt.	10.88'	11.38'	1'46"50"	1'46"50"
Sta. 18+19.59/27.00' Lt.	10.88'	11.38'	1'46"50"	3'33"40"

Curve #10  
Curve Data Based on Face of Curb  
Rad. = 175' Delta = 9°55'22" Tangent = 15.19'  
Arc = 30.30' L.C. = 30.27' Def./Ft. = 9.87341 Min.

Station / Offset	Face Arc Length	Face Chord Lengths	Defl.	Total Defl.
Sta. 17+13.85/17.00' Rt.	-	-	0'00"00"	0'00"00"
Sta. 17+28.98/17.66' Rt.	15.15'	15.83'	2'28"50"	2'28"50"
Sta. 17+44.00/19.62' Rt.	15.15'	15.83'	2'28"50"	4'57"41"

Curve #11  
Curve Data Based on Face of Curb  
Rad. = 175' Delta = 9°55'22" Tangent = 15.19'  
Arc = 30.30' L.C. = 30.27' Def./Ft. = 9.87341 Min.

Station / Offset	Face Arc Length	Face Chord Lengths	Defl.	Total Defl.
Sta. 17+94.10/20.38' Rt.	-	-	0'00"00"	0'00"00"
Sta. 18+09.13/30.34' Rt.	15.15'	15.83'	2'28"50"	2'28"50"
Sta. 18+24.26/31.00' Rt.	15.15'	15.83'	2'28"50"	4'57"41"



**Baughman** Firefly Way Addition Ph. 1  
**BRACKEN ST.**  
Sta. 15+98.76 to Sta. 19+47.77

Baughman Company, P.A. 315 Ellis St. Wichita, KS 67211 P 316-262-7271 F 316-262-0149  
ENGINEERING | SURVEYING | PLANNING | LANDSCAPE ARCHITECTURE

PROJECT NUMBER 472-85356	DESIGN AEG	DRAWN DJL
REVISIONS:	APPROVED	DATE 3/17
	SCALE Noted	SHEET <b>14 OF 38</b>

E:\Projects\Firefly Way-Richie\_1604\F195\Engineering\Phase 1\STR\_1612-E628\Sr Plans-Entry.dwg