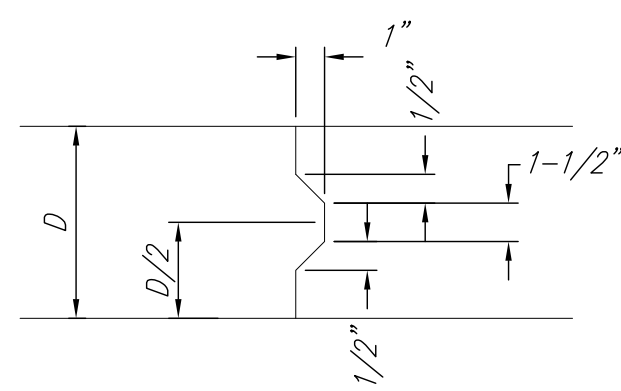


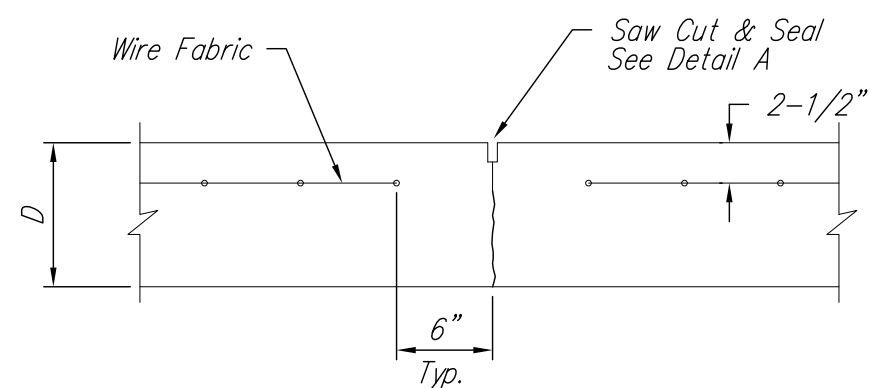


EXPANSION JOINT

NOTE: Extra Thickness to be Subsidiary to Price of Square Yards Pavement



KEYWAY DETAIL



CONTRACTION JOINT DETAIL (C.J.)



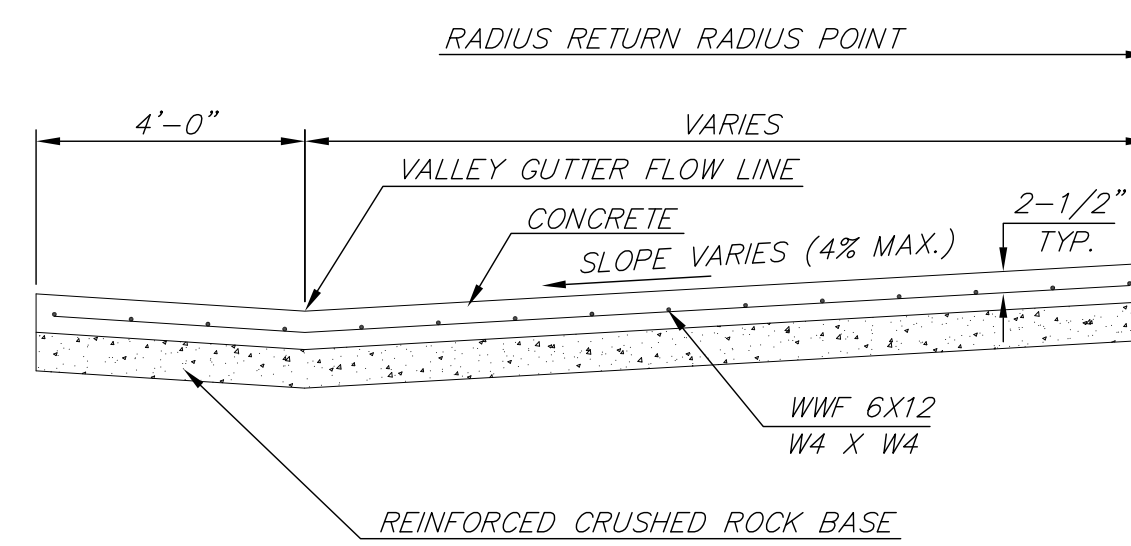
OPTIONAL CONTRACTION JOINT



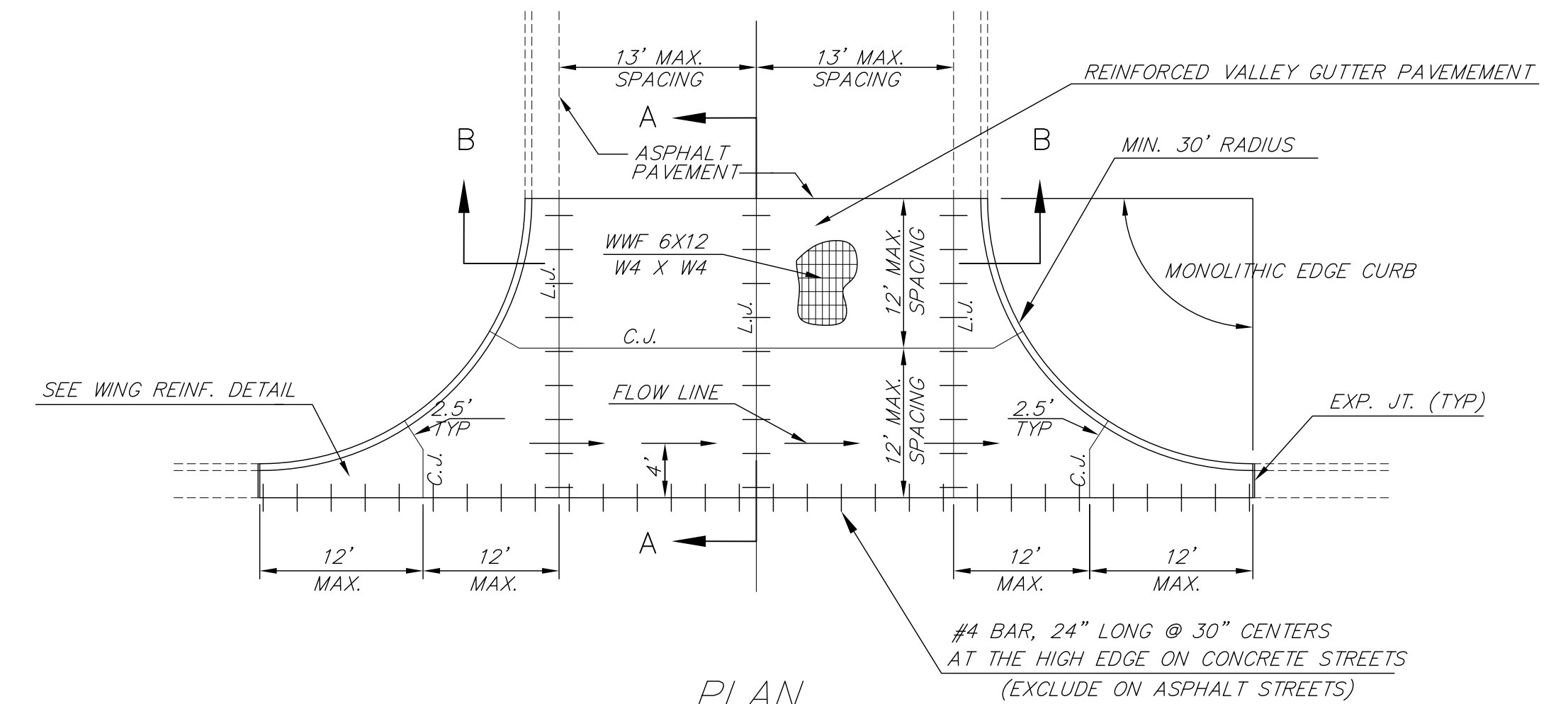
LONGITUDINAL JOINT DETAIL (L.J.)



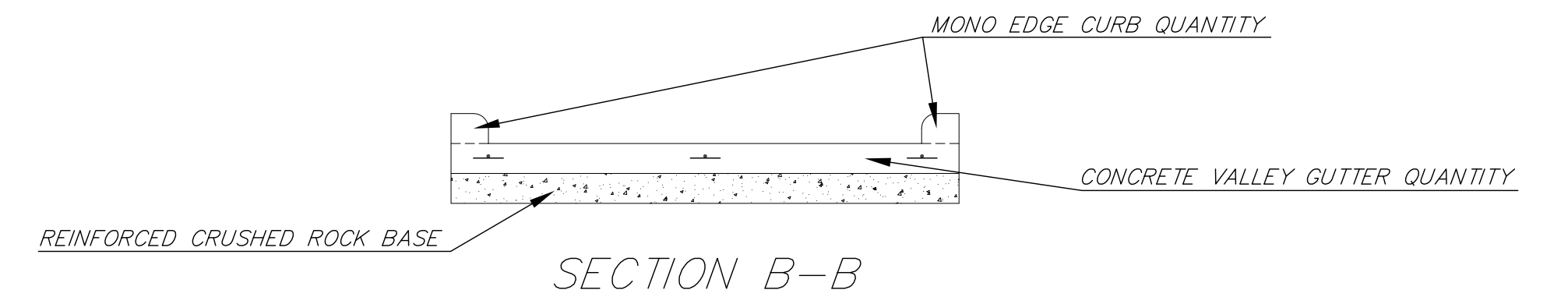
OPTIONAL LONGITUDINAL JOINT DETAIL (L.J.)



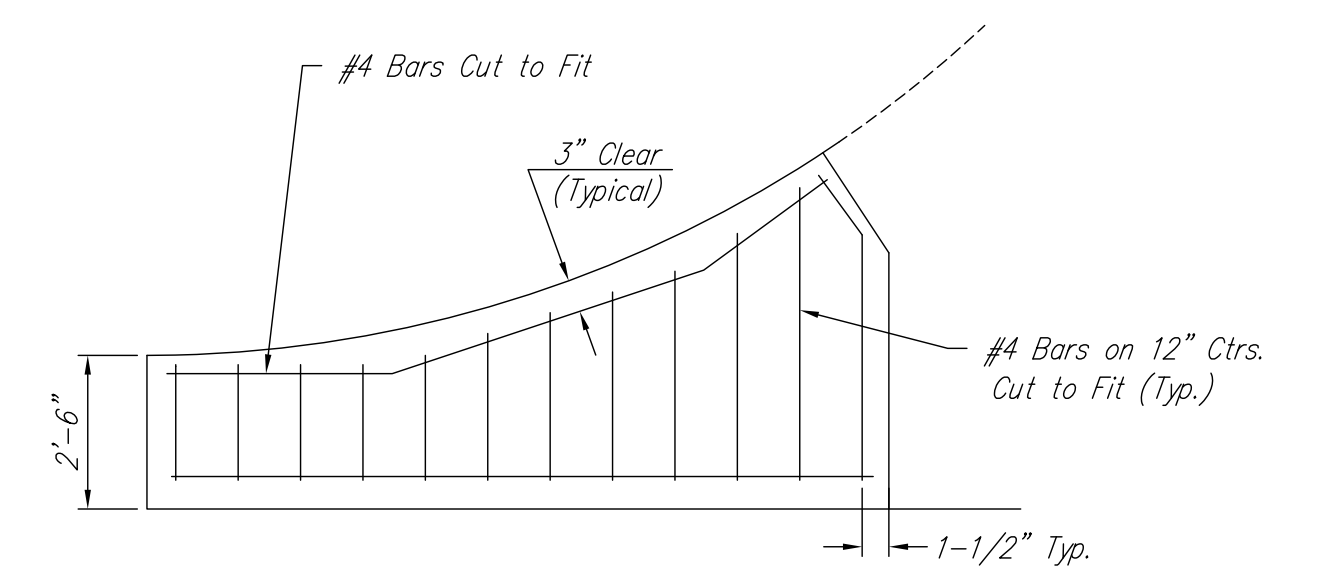
SECTION A-A



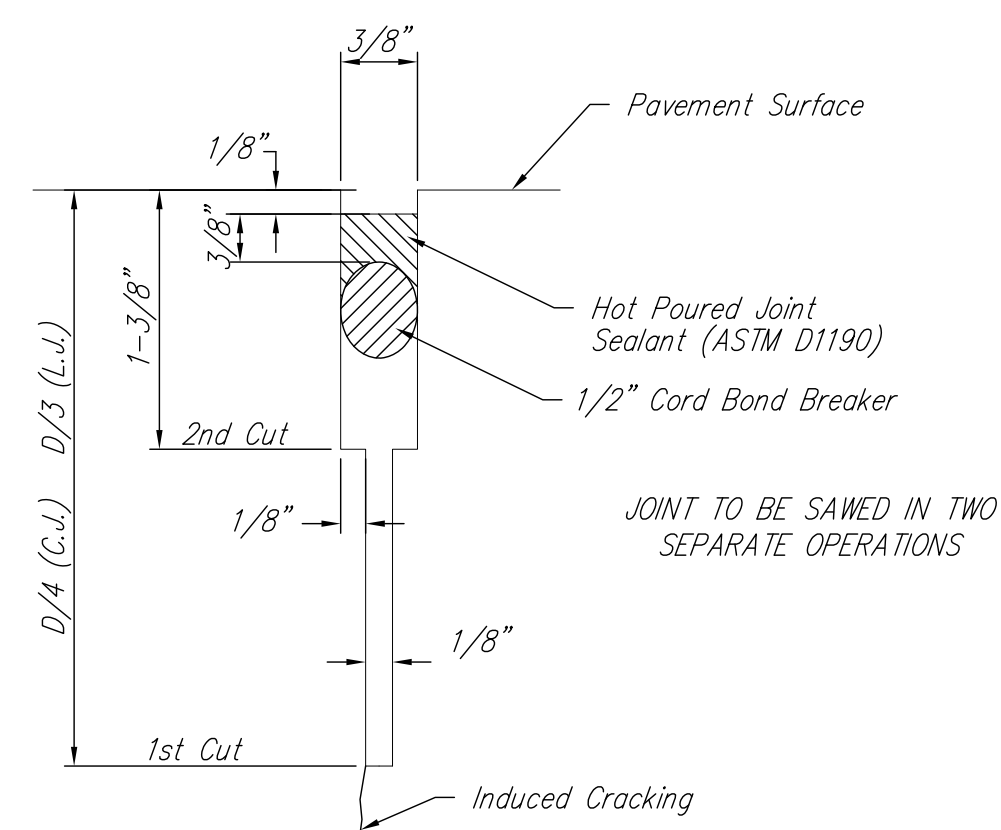
PLAN



REINFORCED VALLEY GUTTER DETAIL



WING REINFORCING DETAIL



SAW JOINT DETAIL (DETAIL A)

REVISED: NOVEMBER 2015

<p>CITY OF WICHITA PUBLIC WORKS &amp; UTILITIES ENGINEERING DIVISION</p>	<p>VALLEY GUTTER DETAILS</p>		
	<p>CITY ENGINEER <b>GARY JANZEN, P.E.</b></p>		
	PROJECT NUMBER	OCA NUMBER	DATE
<p>CITY ENGINEER'S OFFICE CITY HALL - SEVENTH FLOOR 455 NORTH MAIN STREET WICHITA, KANSAS 67202-1620 (316) 268-4501</p>		<p>SHEET <b>4 of 38</b></p>	