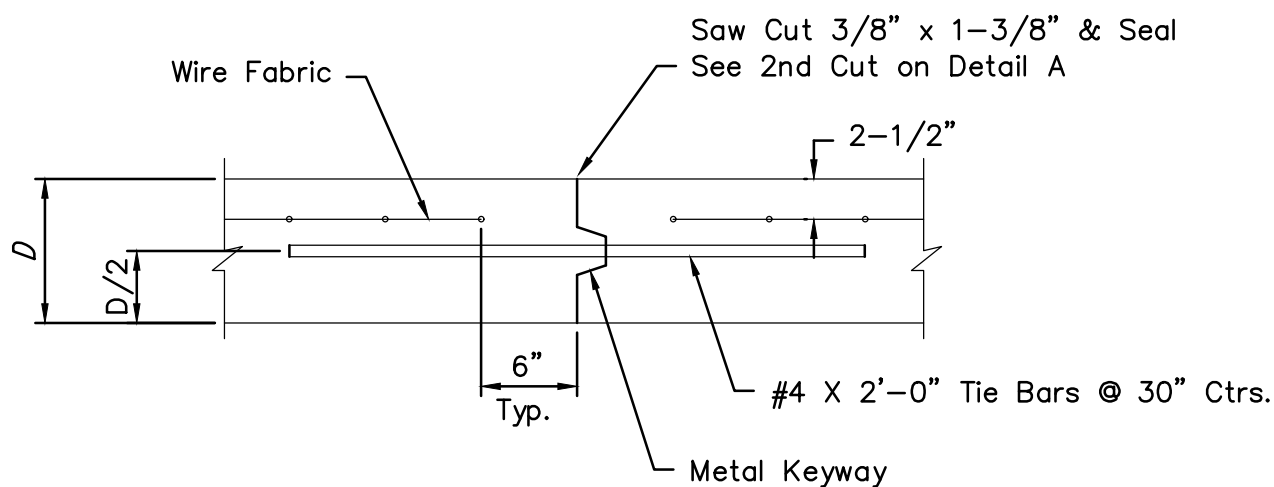
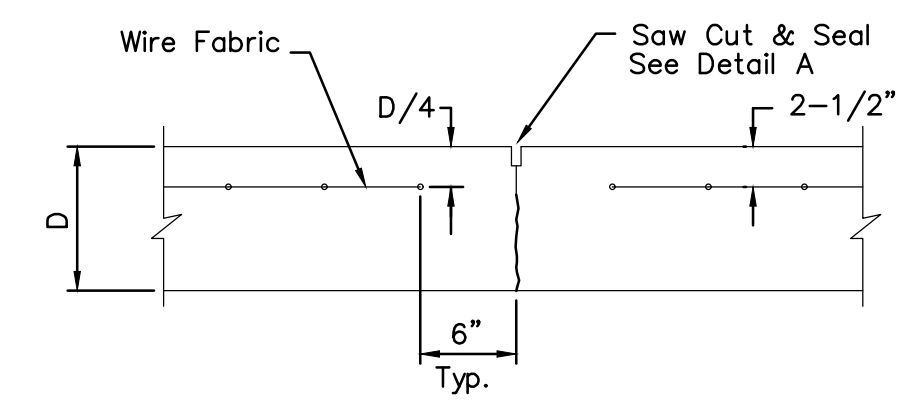


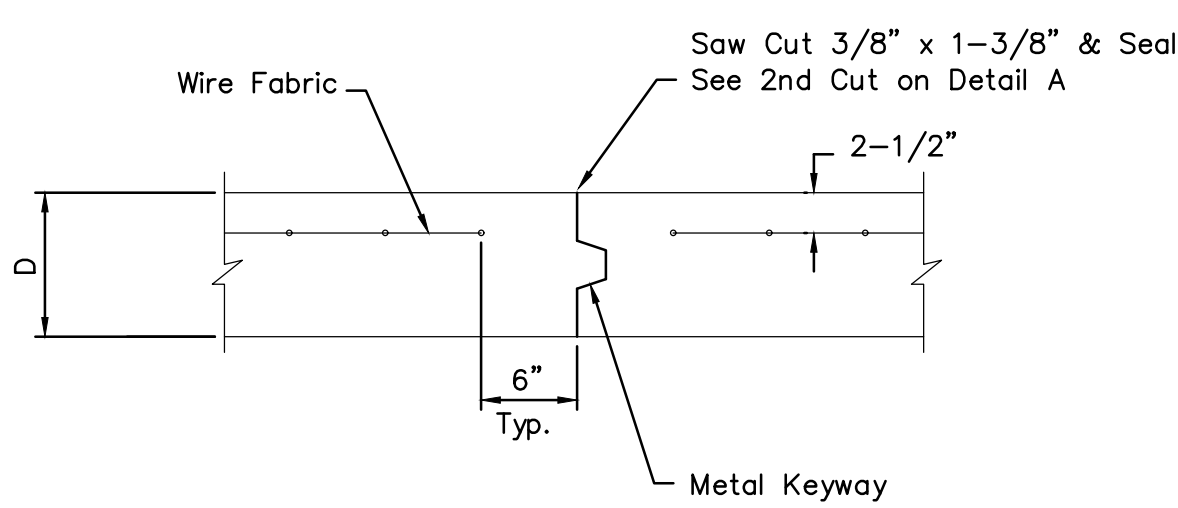
LONGITUDINAL JOINT DETAIL (L.J.)



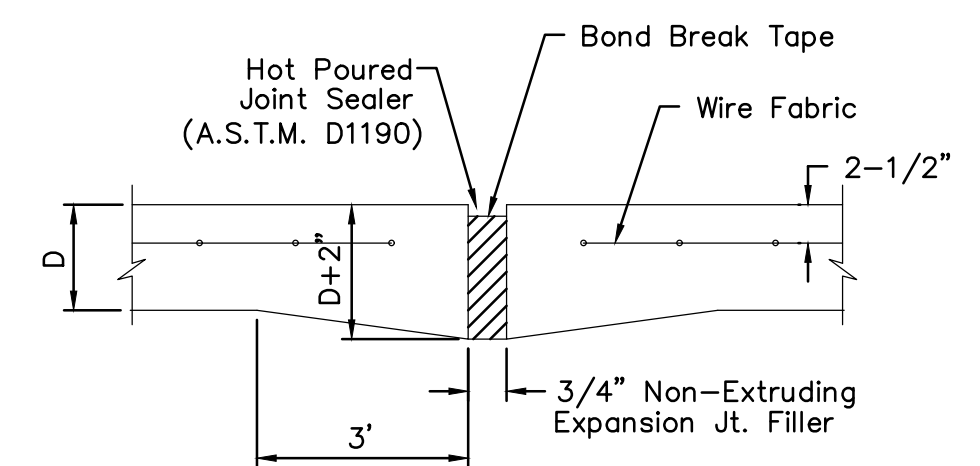
OPT. LONGITUDINAL JOINT DETAIL (L.J.)



CONTRACTION JOINT DETAIL (C.J.)

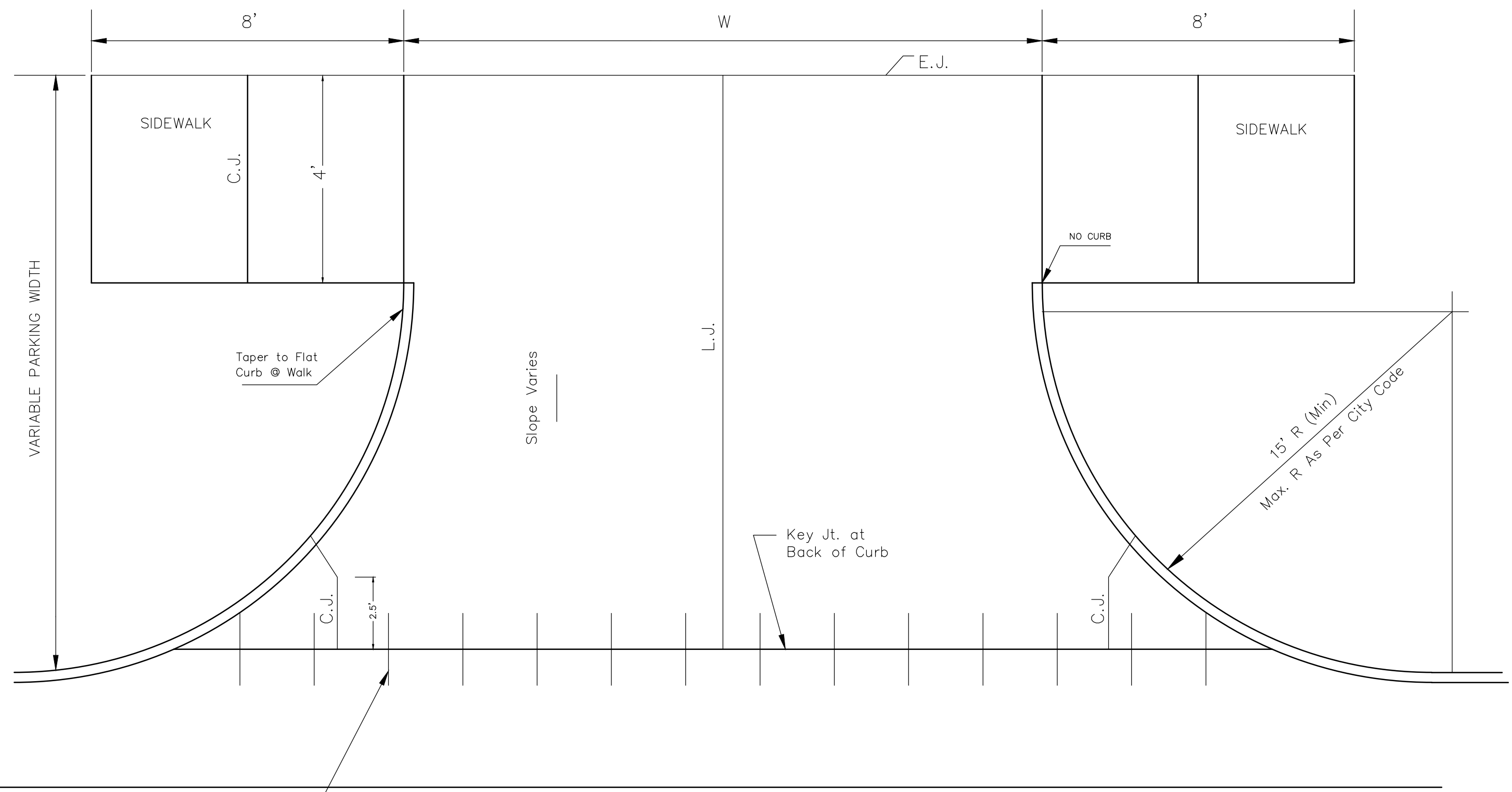


OPTIONAL CONTRACTION JOINT



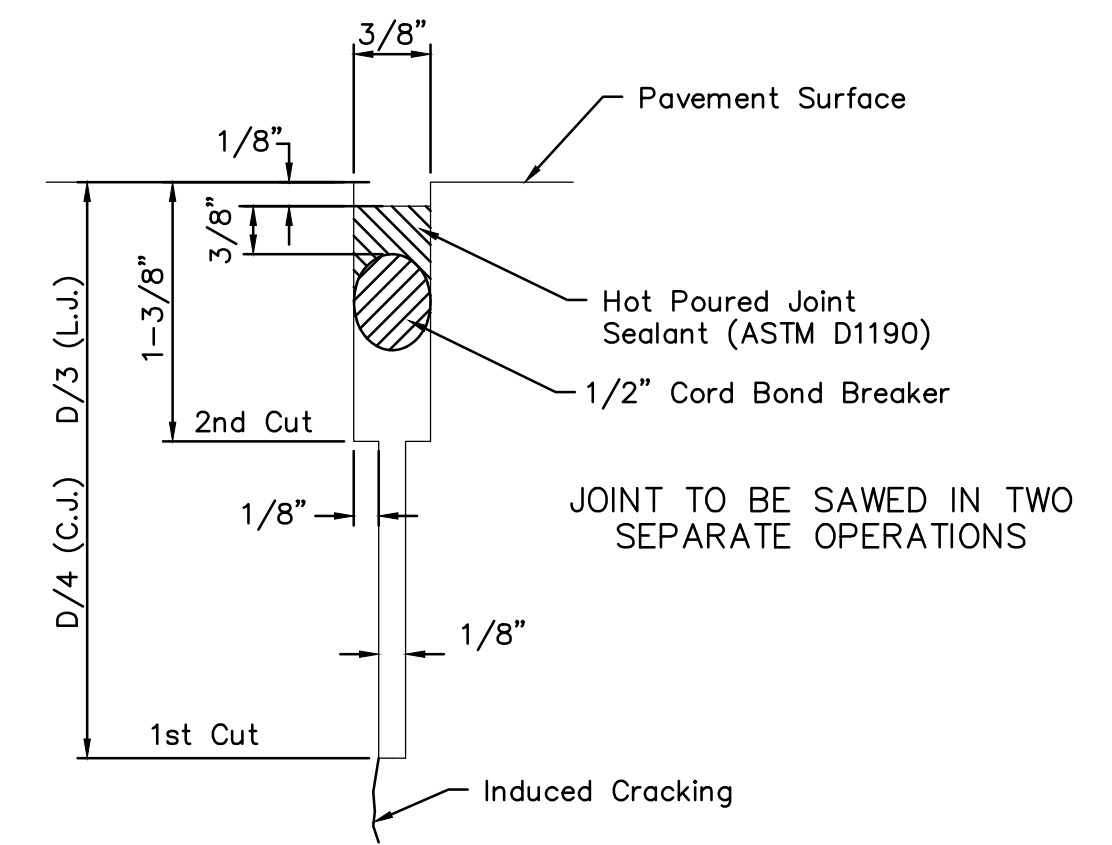
EXPANSION (ISOLATION) JOINT

NOTE: Extra Thickness to be Subsidiary to Price of Square Yards Pavement

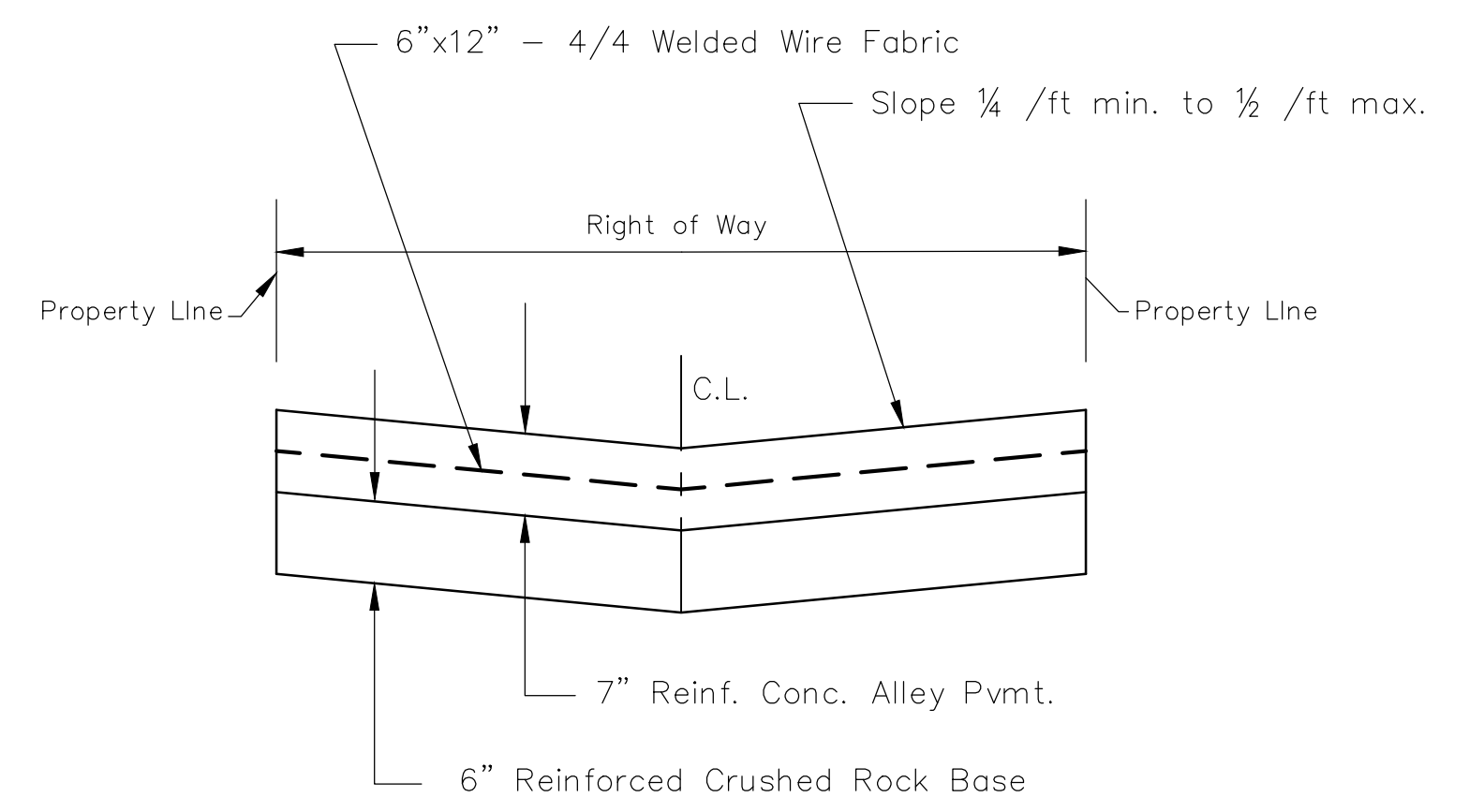


Use Ramp-Type Approach when distance between fc. wk. & bk. cb. is 8'-0" or less. Where parking width is 8'-0" or less ramp shall be constructed full width.

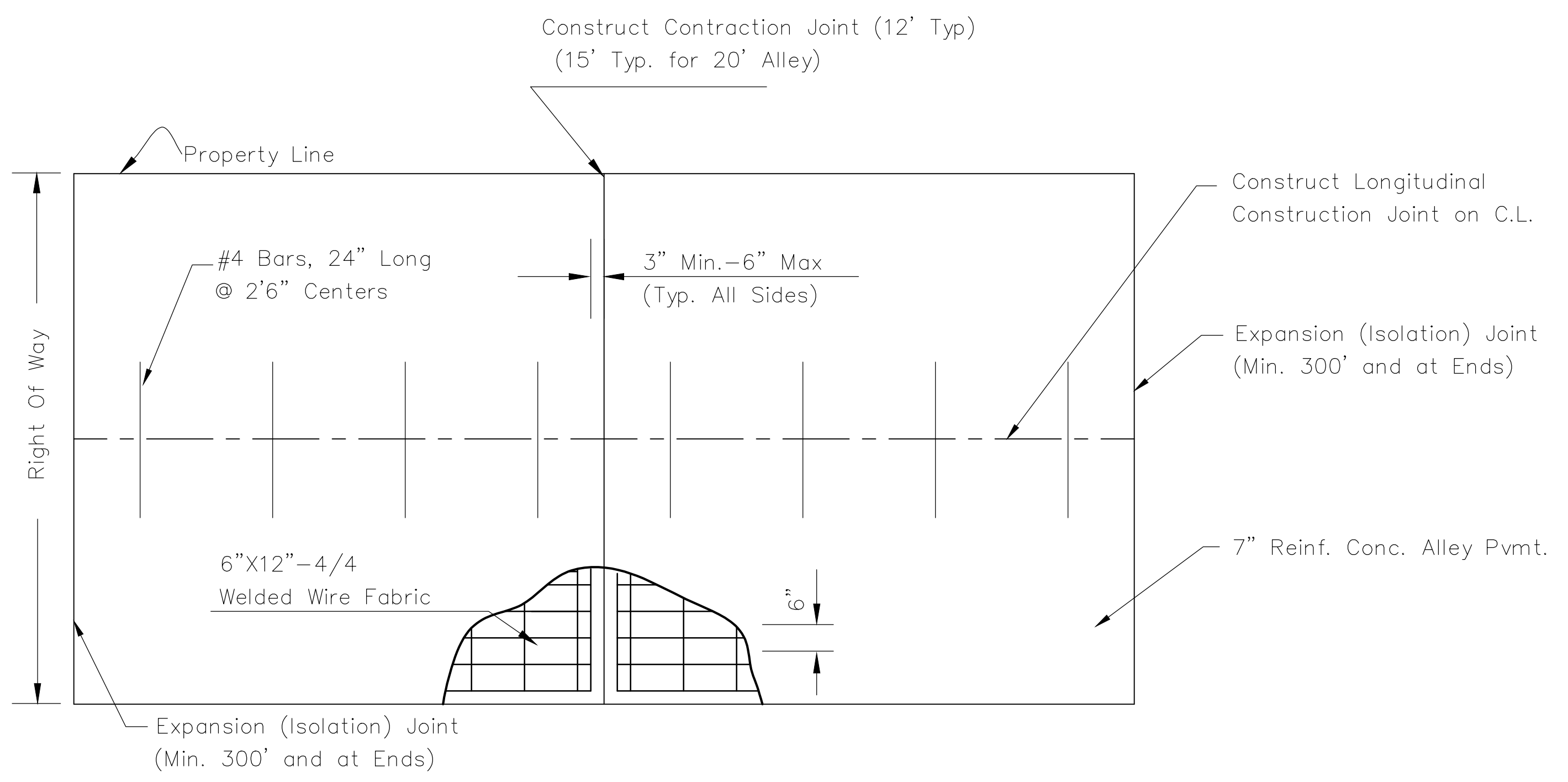
ALLEY APPROACH DETAIL



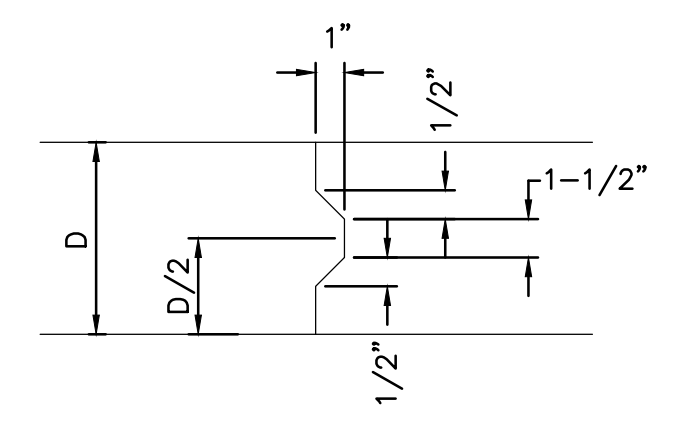
SAW JOINT DETAIL (Detail A)



TYPICAL PAVEMENT SECTION



SLAB REINFORCEMENT DETAIL



KEYWAY DETAIL



**REINFORCED CONCRETE ALLEY PAVING DETAIL**

CITY ENGINEER  
**GARY JANZEN, P.E.**

|                                    |                             |                        |
|------------------------------------|-----------------------------|------------------------|
| PROJECT NUMBER<br><b>472-85254</b> | OCA NUMBER<br><b>707098</b> | DATE<br><b>03/2017</b> |
|------------------------------------|-----------------------------|------------------------|

CITY ENGINEER'S OFFICE  
CITY HALL - SEVENTH FLOOR  
455 NORTH MAIN STREET  
WICHITA, KANSAS 67202-1620  
(316) 268-4501

SHEET  
**10 of 58**