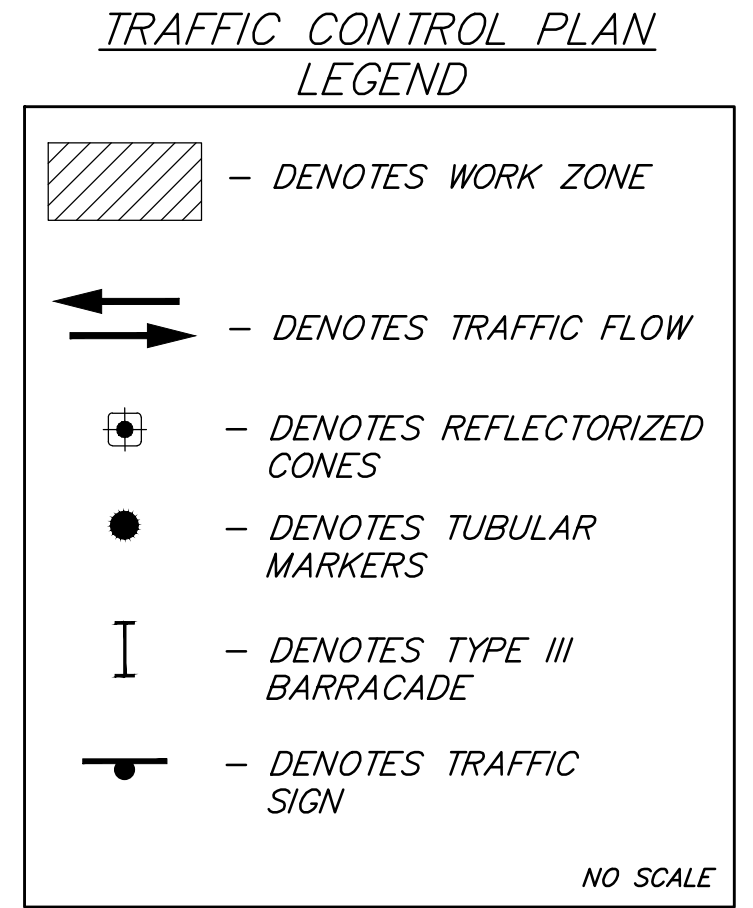
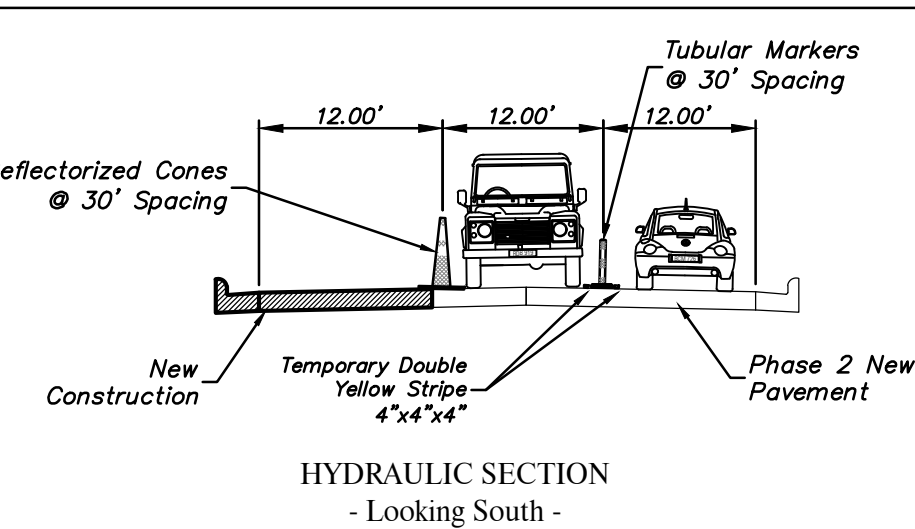
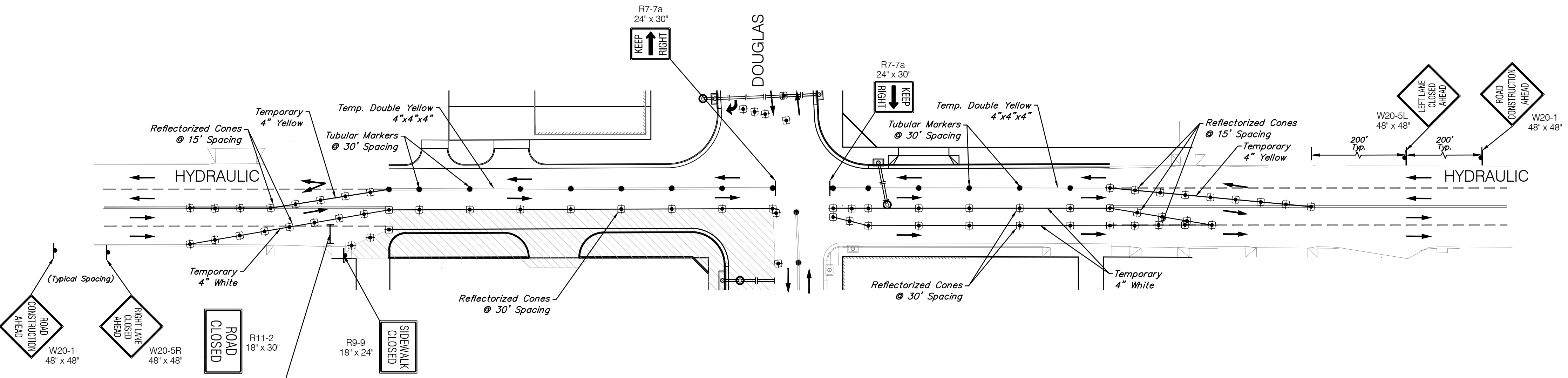
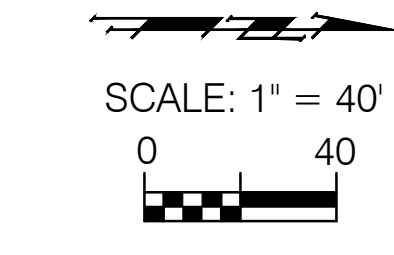


NOTE: INSTALL "NO LEFT TURN" SIGNS ON ALL FOUR DIRECTIONS IN INTERSECTION VISIBLE TO ONCOMING TRAFFIC

NOTE: REMOVE PAVEMENT MARKINGS AS NEEDED FOR LANE CHANGES LASTING > 3 CALENDAR DAYS



Phase 3

Construct the South 1/2 of the East Leg of Douglas and the East 1/2 of the South Leg of Hydraulic.
 Two Way Traffic at All Times on Existing and New Pavement.
 No Left Turns Allowed.
 No Detours.

Drawing File: E:\Projects\Douglas (Washington to Grove)\Civil 3d\Douglas Base
 Design: Ken Klag
 Drawn: LP
 Approved: T. Azicre
 Scale: Noted

Project No. 1307E933

DOUGLAS & HYDRAULIC INT.
 Construction Sequence Phase 3
 DOUGLAS - WASHINGTON to GROVE

Baughman Company, P.A.
 315 Ellis St. Wichita, KS 67211 P 316-263-7271 F 316-262-0149
 ENGINEERING | SURVEYING | PLANNING | LANDSCAPE ARCHITECTURE