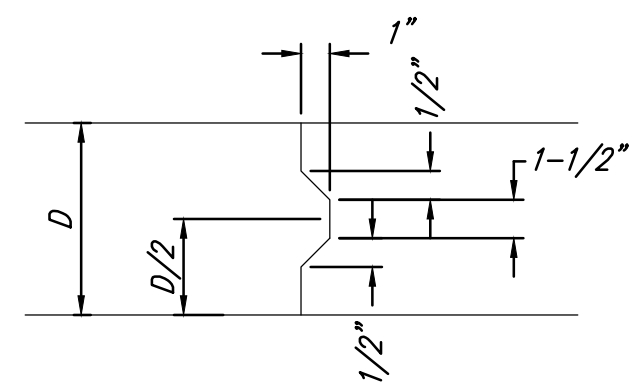
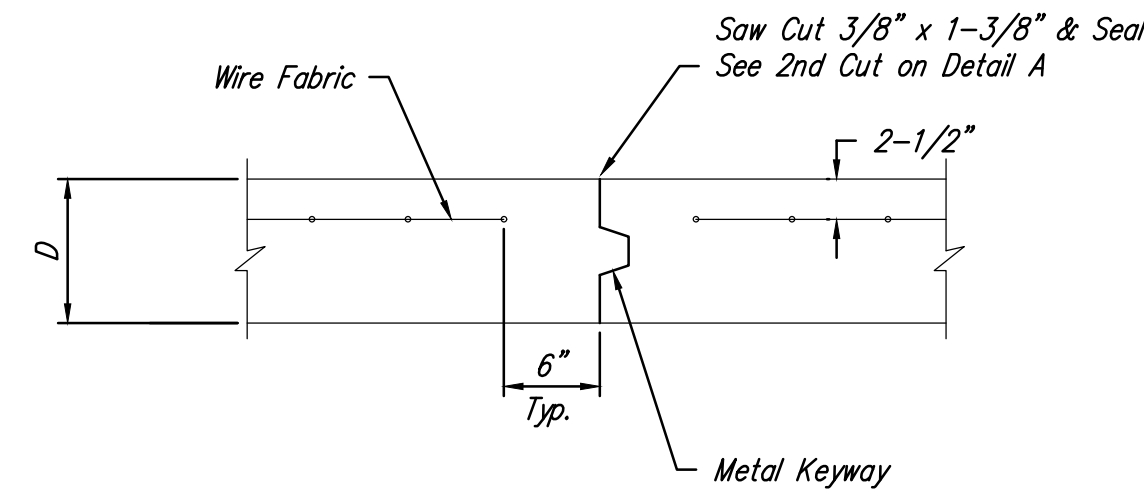


EXPANSION JOINT

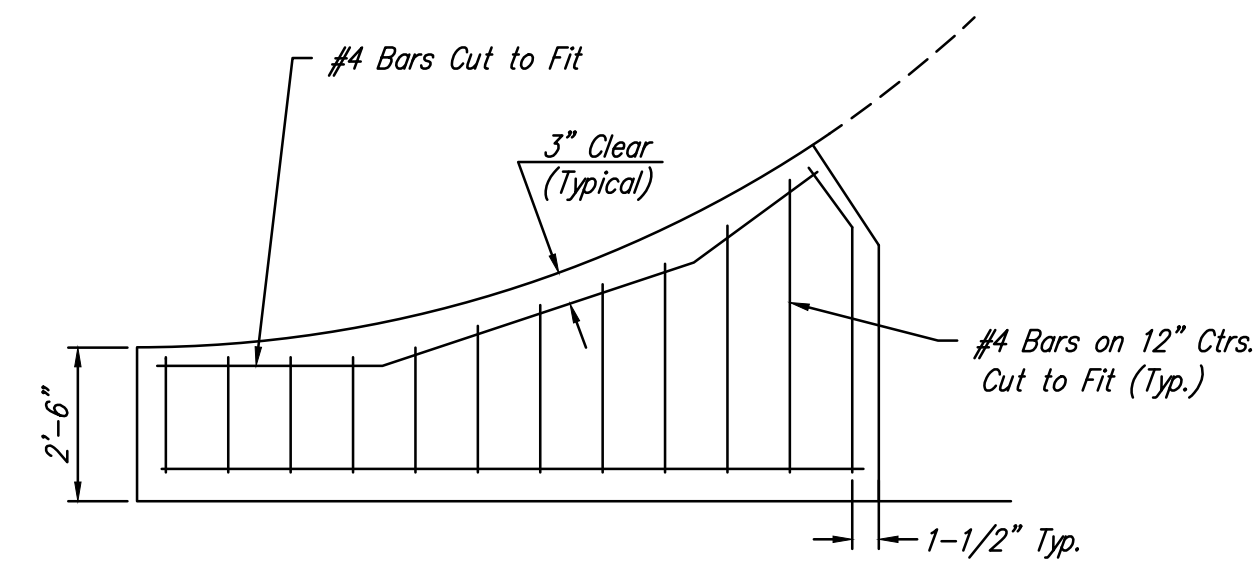
NOTE: Extra Thickness to be Subsidiary to Price of Square Yards Pavement



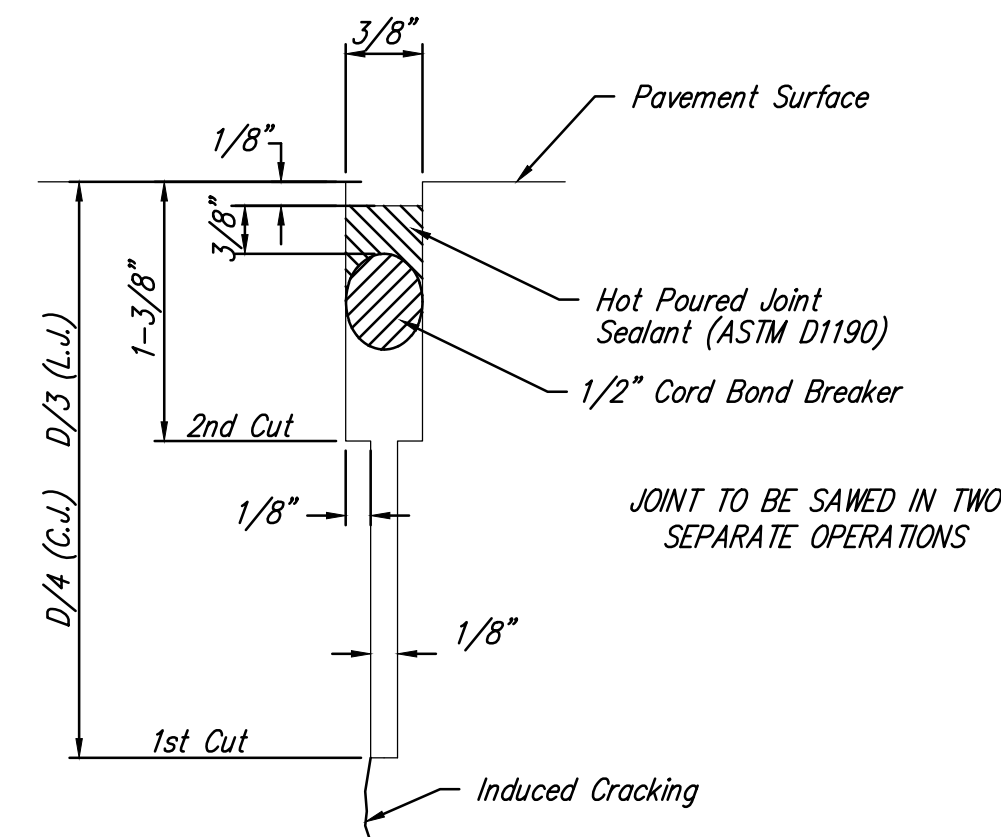
KEYWAY DETAIL



OPTIONAL CONTRACTION JOINT

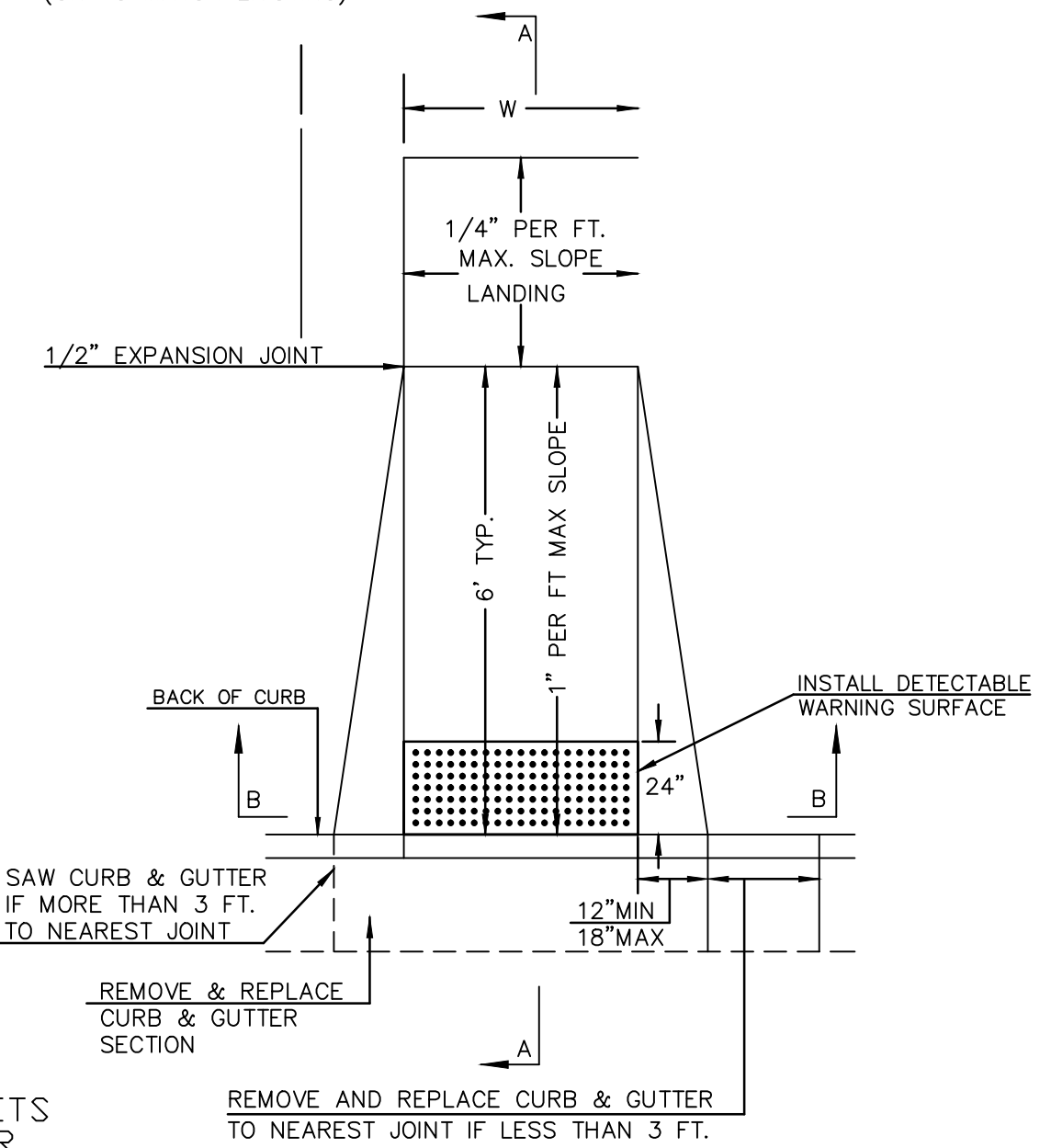


WING REINFORCING DETAIL

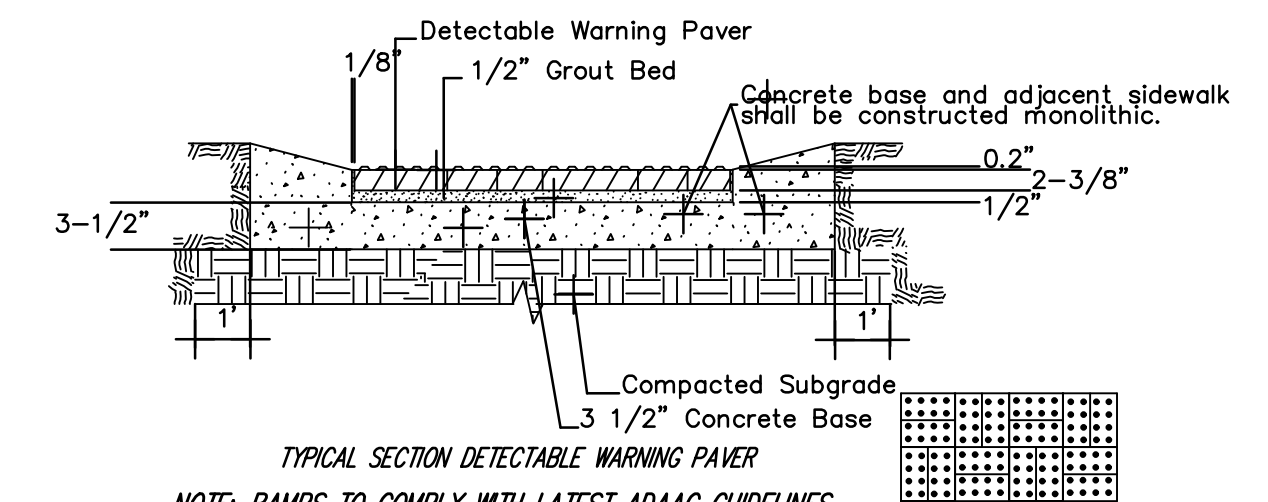


SAW JOINT DETAIL

W= 4'0" FOR STANDARD RAMP
W= 5'0" FOR RAMPS AT SCHOOL CROSSWALKS (OR TO MATCH EXISTING)

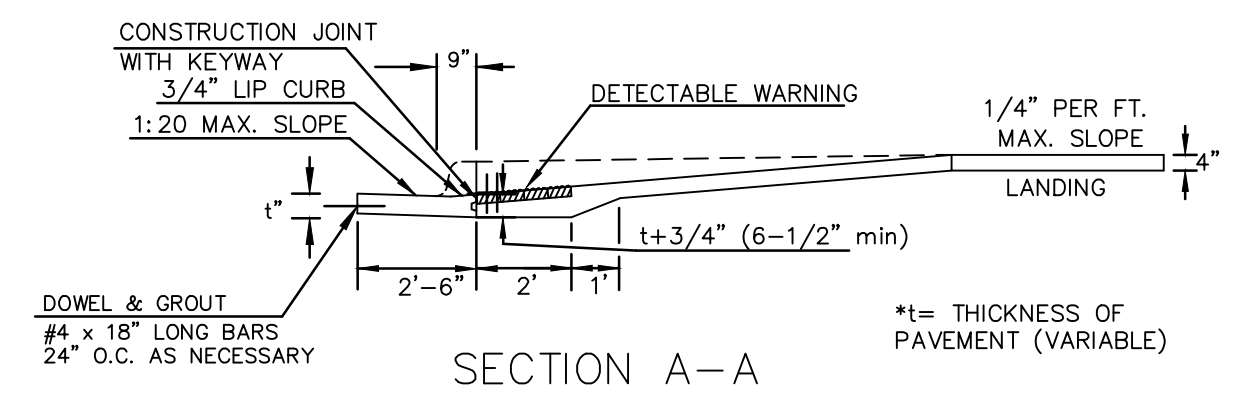
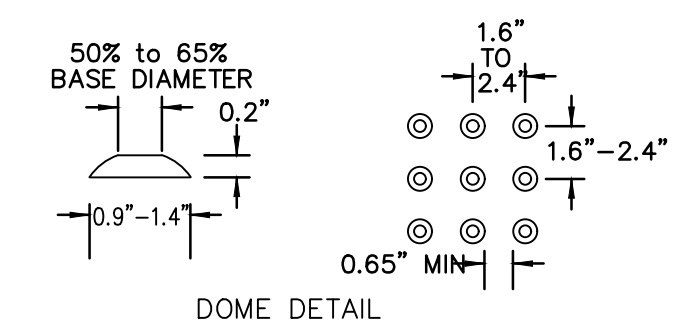


(TYPE A) STANDARD WHEELCHAIR RAMP WITH DETECTABLE WARNING CONSTRUCTION DETAIL FOR STREETS WITH COMBINED CURB & GUTTER

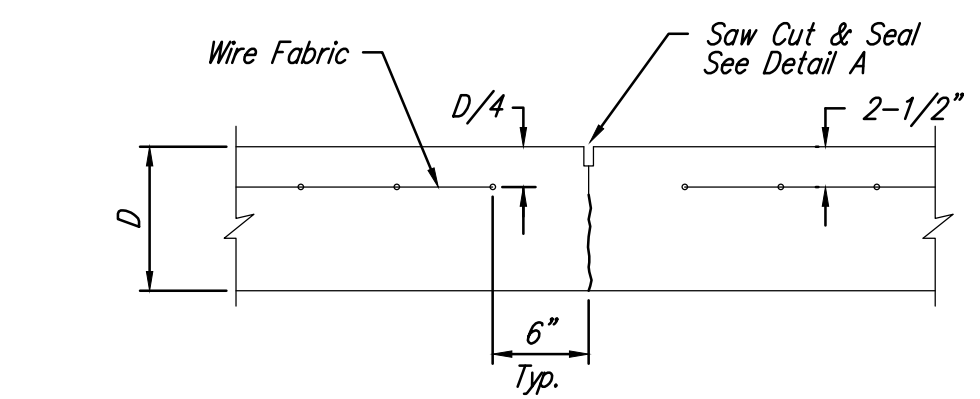


TYPICAL SECTION DETECTABLE WARNING PAVER
NOTE: RAMPS TO COMPLY WITH LATEST ADAAG GUIDELINES. PAVESTONE DETECTABLE WARNING PAVERS (OR AN APPROVED EQUAL) SHALL BE USED IN ALL WHEELCHAIR RAMPS. THE RED PAVER SHALL BE INSTALLED USING A BASKET WEAVE/PARQUET PATTERN. OTHER PATTERNS MAY BE USED WITH APPROVAL OF ENGINEER. SAND FILL JOINTS. ALIGN DOMES IN THE DIRECTION OF PEDESTRIAN TRAVEL.

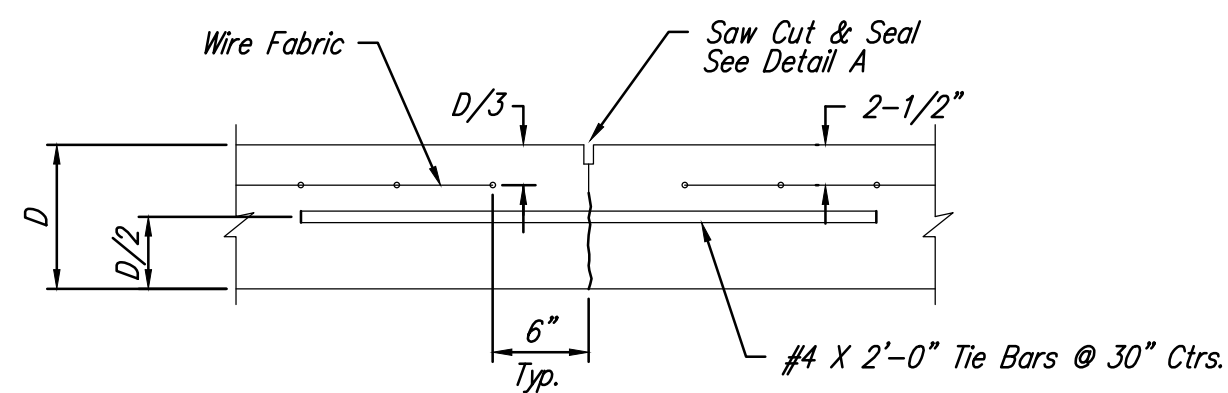
SECTION B-B



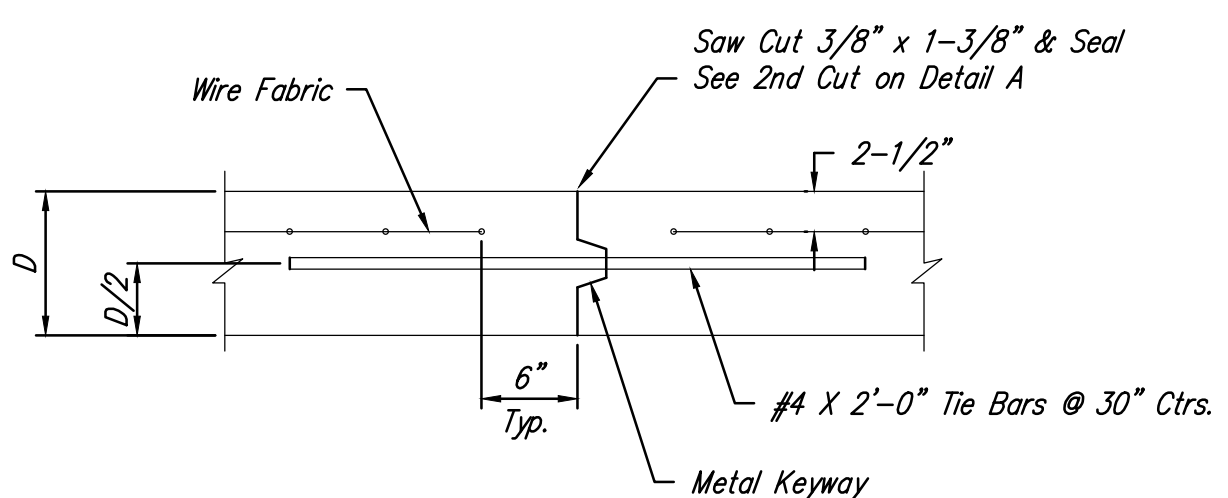
SECTION A-A



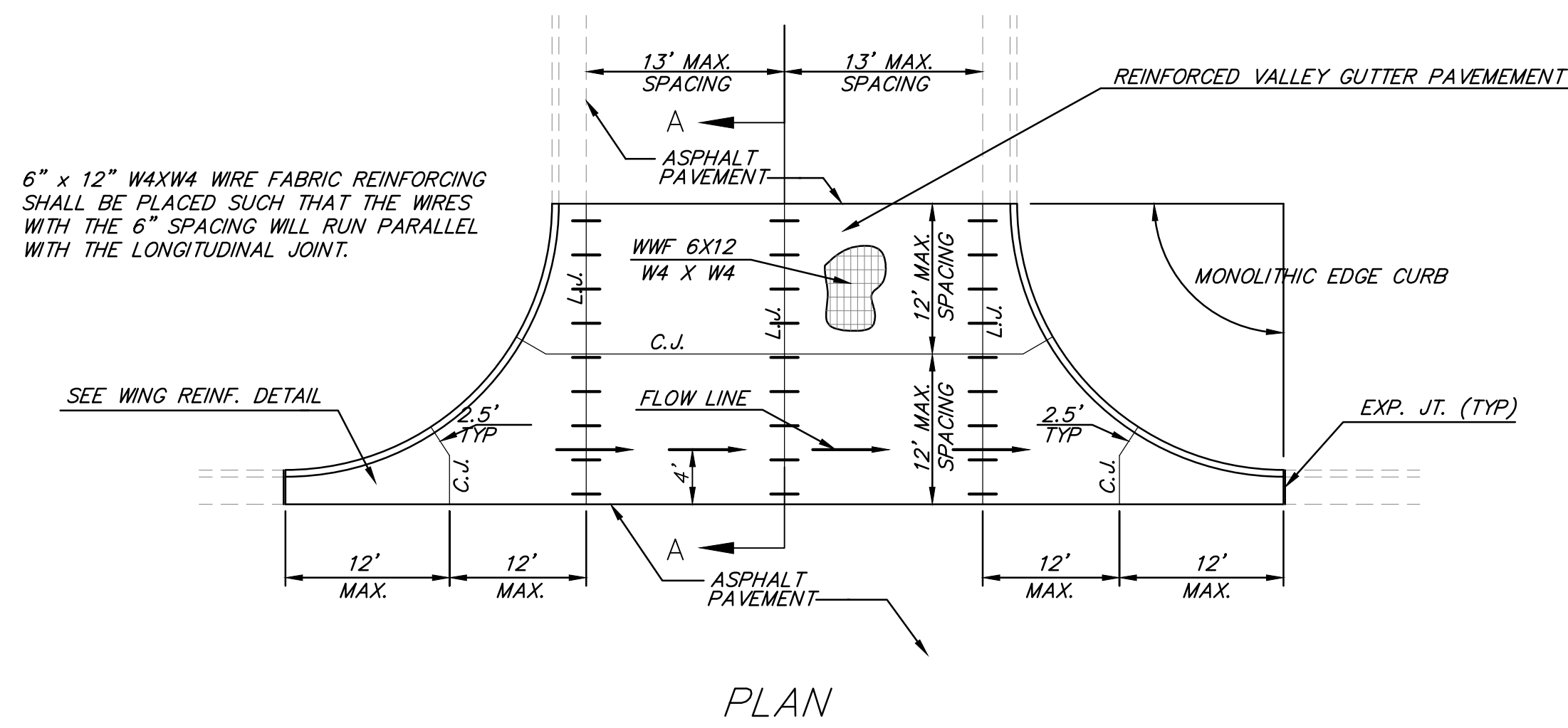
CONTRACTION JOINT DETAIL (C.J.)



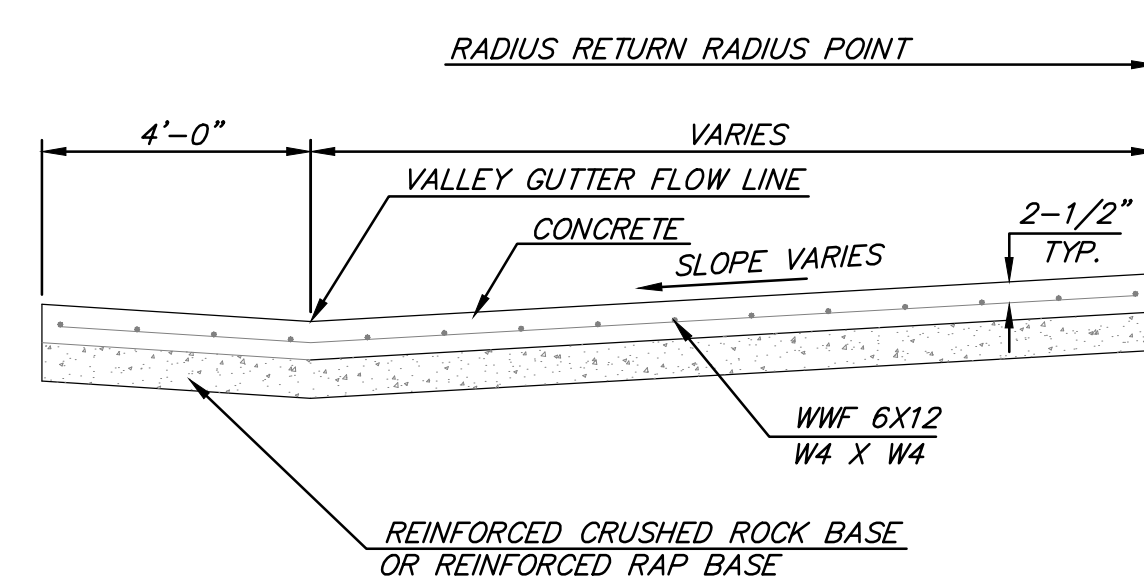
LONGITUDINAL JOINT DETAIL (L.J.)



OPTIONAL LONGITUDINAL JOINT DETAIL (L.J.)

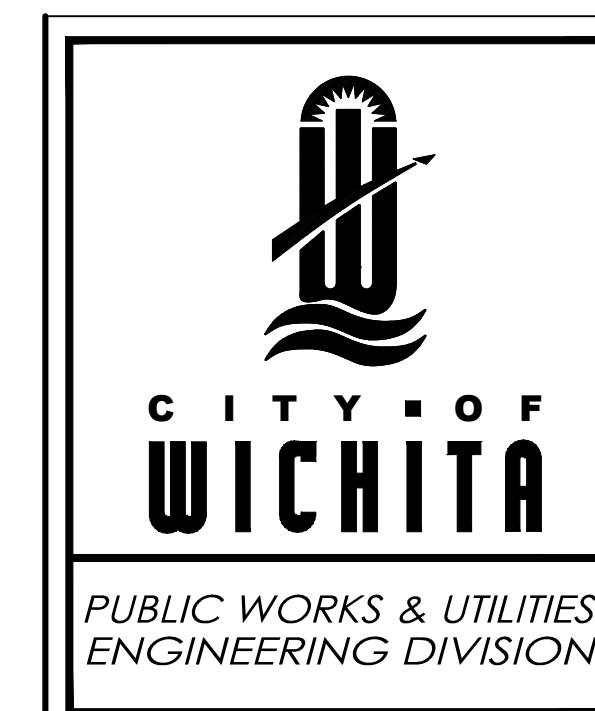


PLAN



SECTION A-A

REINFORCED VALLEY GUTTER DETAIL



VALLEY GUTTER DETAILS WHEELCHAIR RAMP DETAILS

CITY ENGINEER GARY JANZEN, P.E.		
PROJECT NUMBER 472-85254	OCA NUMBER 707098	DATE 03/2017
CITY ENGINEER'S OFFICE CITY HALL - SEVENTH FLOOR 455 NORTH MAIN STREET WICHITA, KANSAS 67202-1620 (316) 268-4501		SHEET 09 of 58