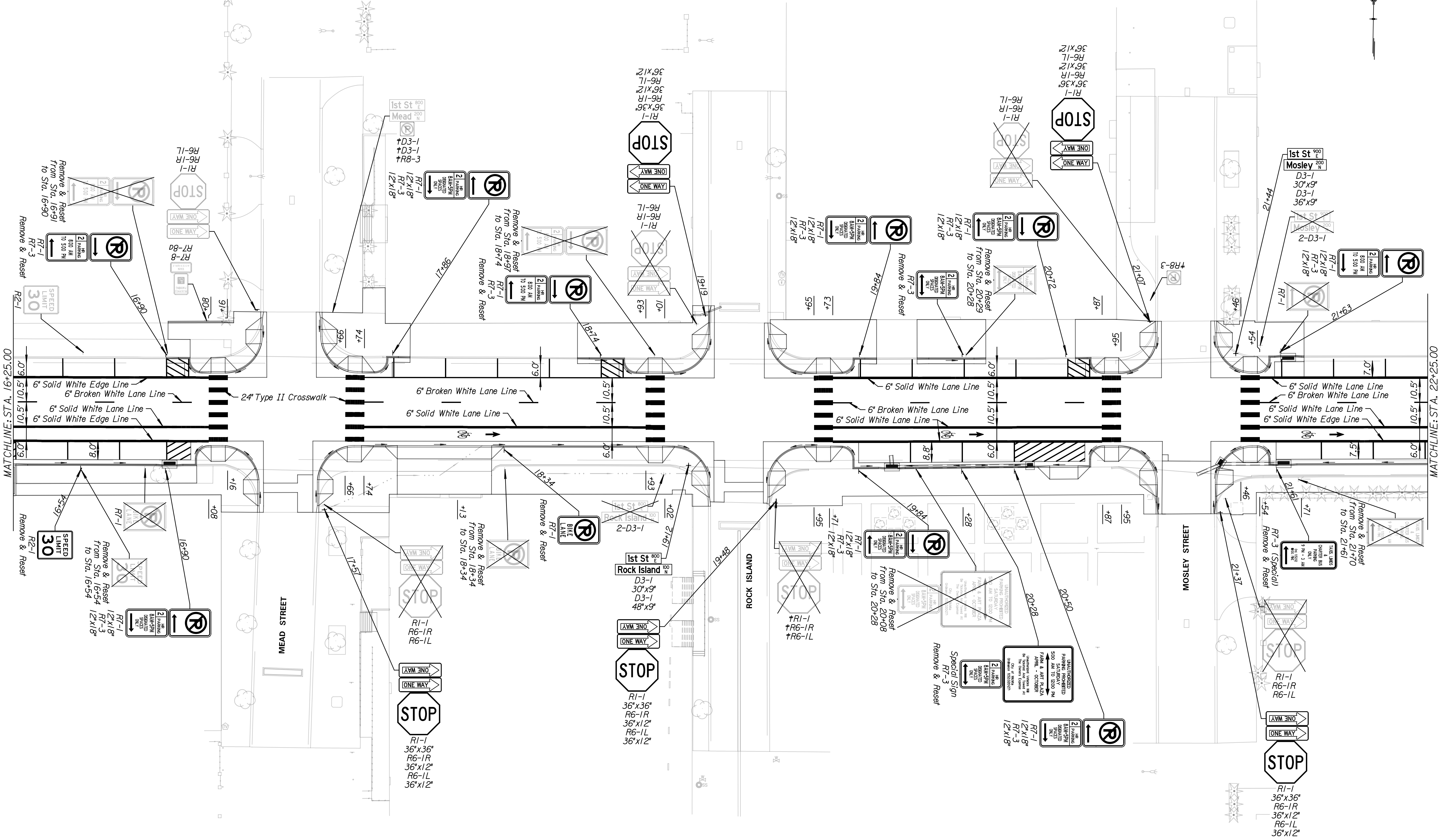
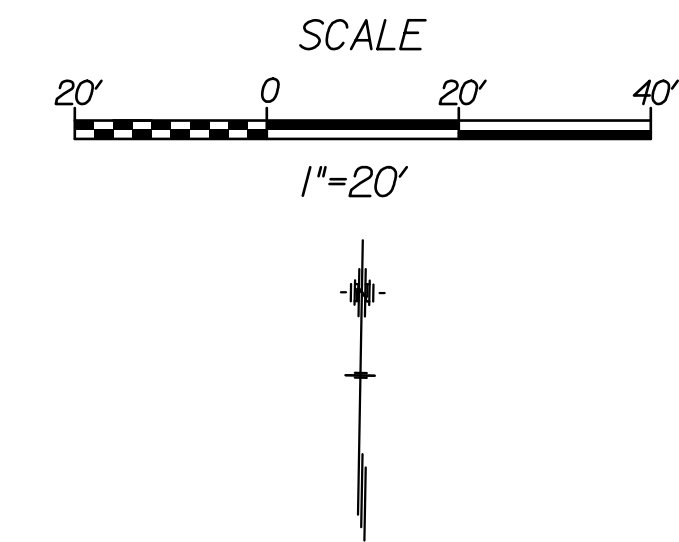


Note:
 *Existing signs are mounted on light poles that are to remain. These signs shall be left alone and not removed unless otherwise instructed to do so by the Engineer.



Tran Systems
 245 NORTH WACO
 SUITE 222
 WICHITA, KANSAS 67202
 PHONE: 316-303-3000
 FAX: 316-303-0166

CONSULTANTS:

 LK ARCHITECTURE, INC.
 345 RIVERVIEW
 SUITE 200
 WICHITA, KANSAS 67208
 PHONE: 316-268-0230

1ST STREET IMPROVEMENTS
 SANTA FE TO WASHINGTON IN OLD TOWN
 WICHITA, KANSAS

REVISIONS:	MARK	DATE	DESCRIPTION

PROJ NO: 472-85285
 SCALE: 1"=20'
 DATE: 7/5/2017
 DESIGNED BY: TAU
 DRAWN BY: TAU
 CHECKED BY: MDB

SHEET TITLE:
PAVMENT MARKING & SIGNING
 STA. 16+25.00 TO STA. 22+25.00

SHEET NO.
67
 SHEET 67 OF 90

taummbd
 7/5/2017
 c:\tran\systems\paw_bocalltransyscopr\paw\taummbd\482731C-PMK-A01-102.dgn