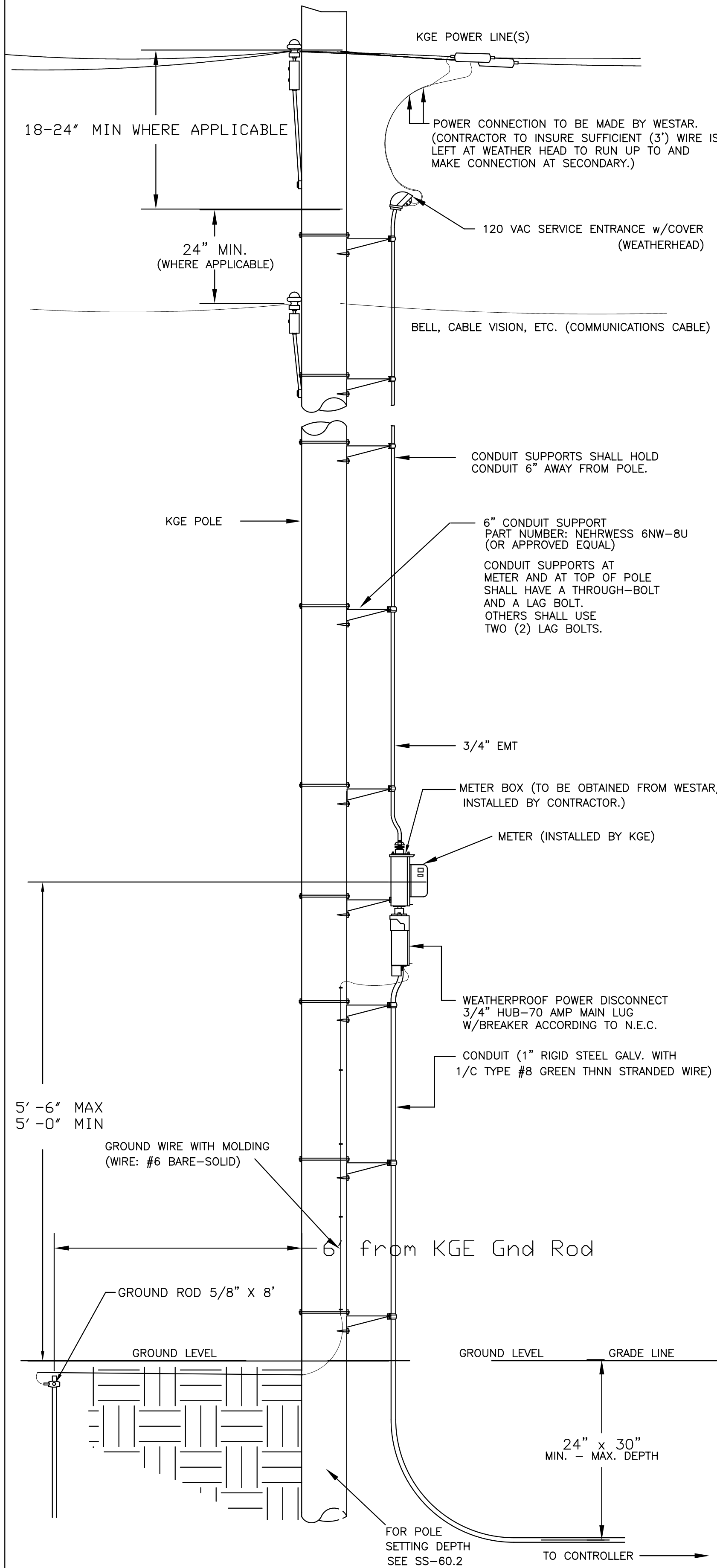
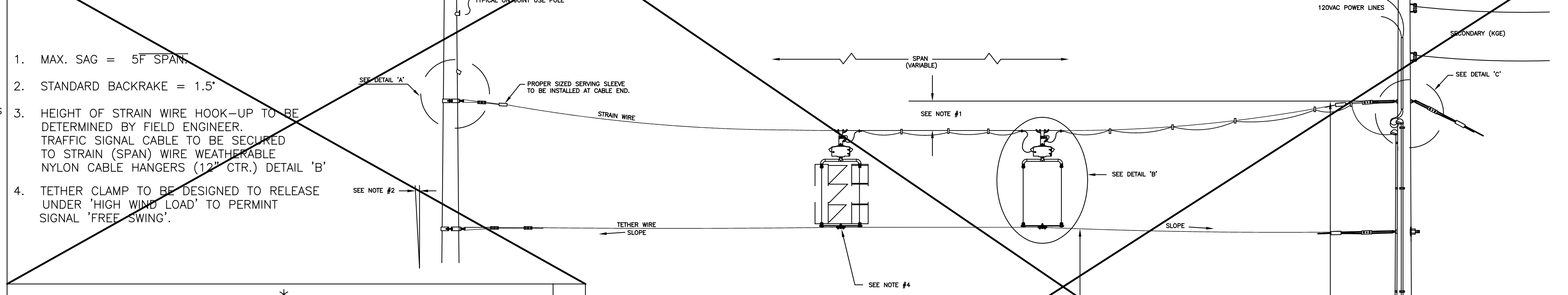


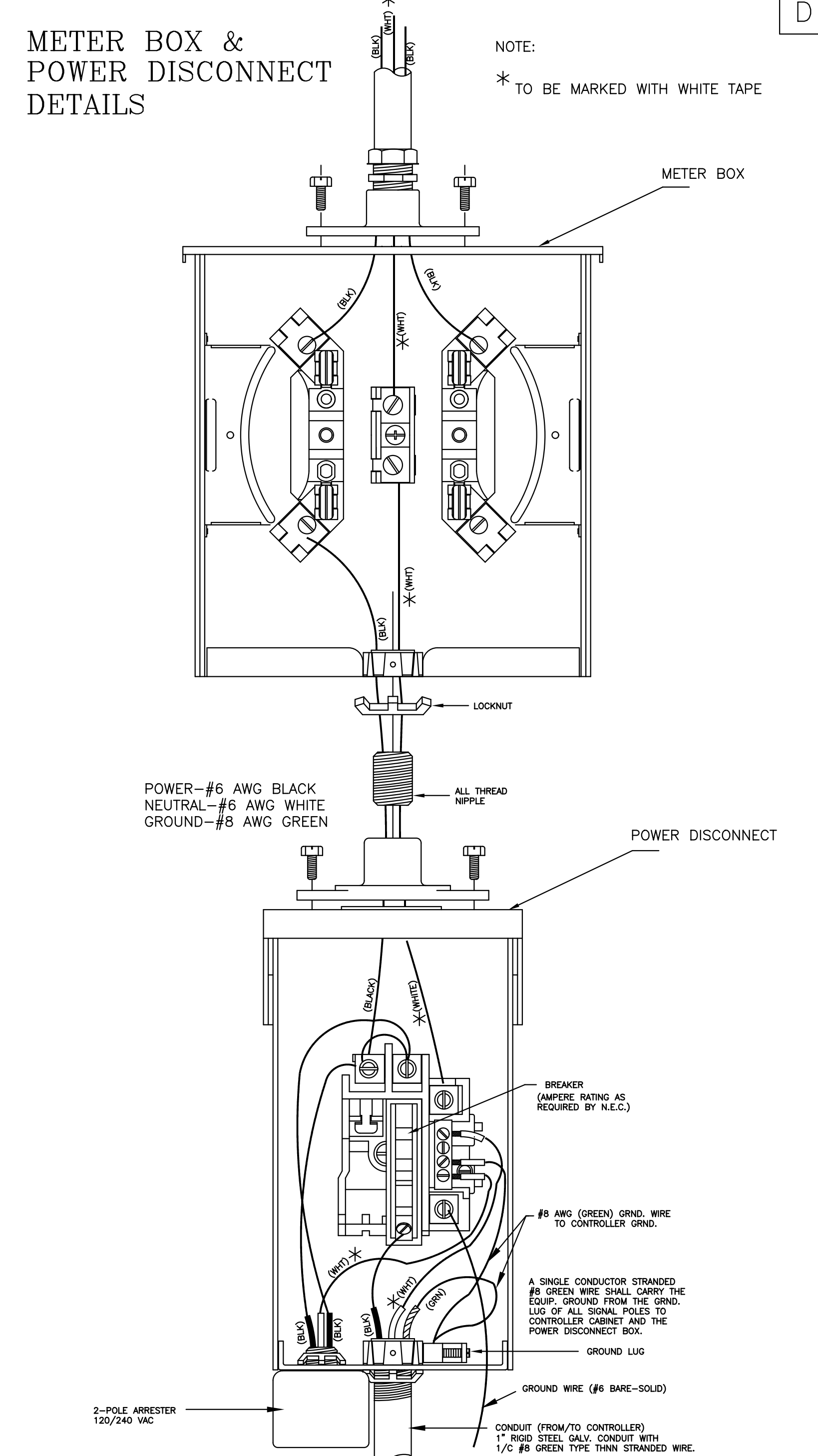
**POWER POLE DETAILS**



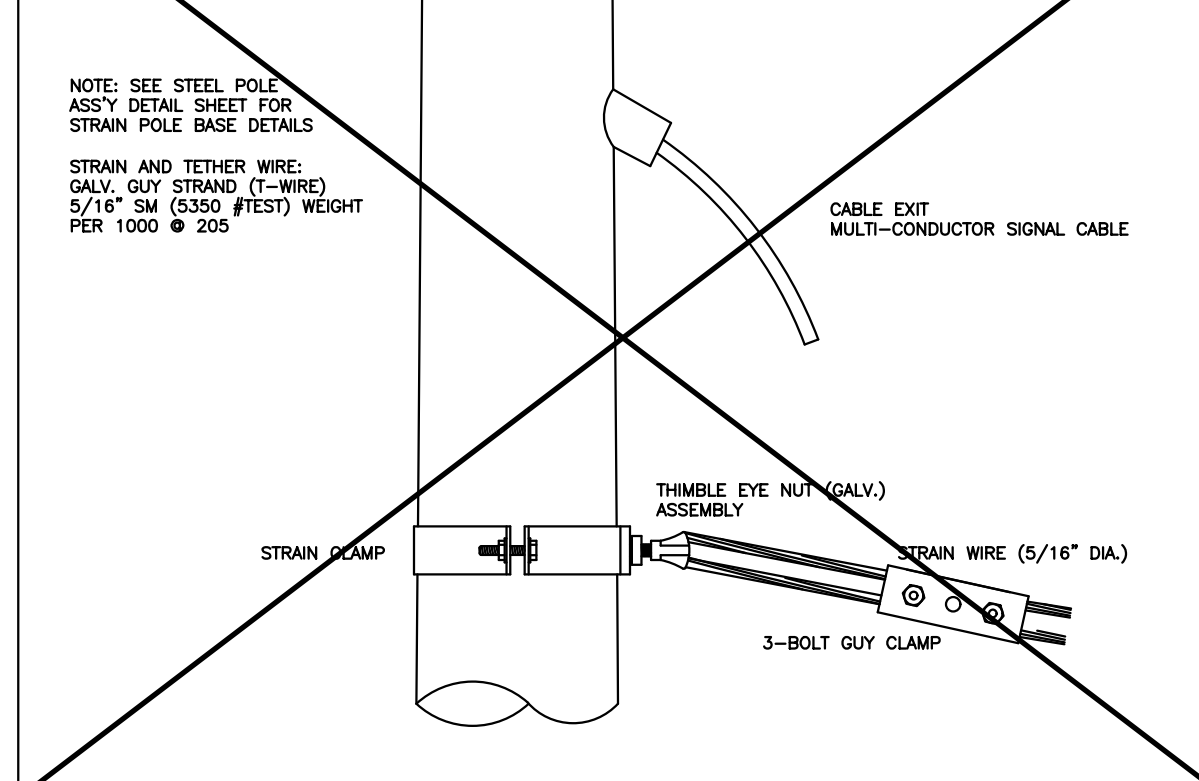
**SPANWIRE ASSEMBLY DETAILS**



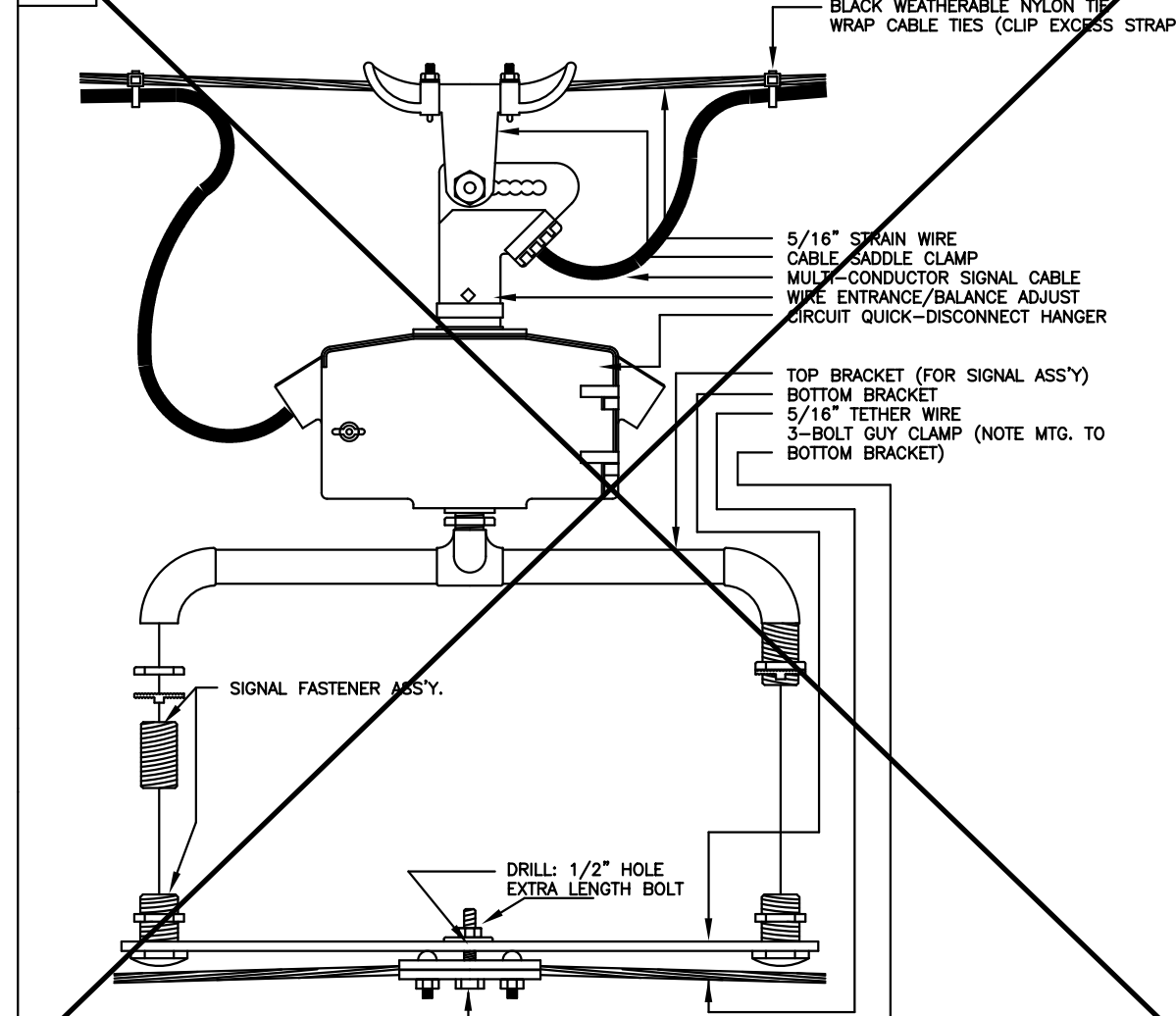
**METER BOX & POWER DISCONNECT DETAILS**



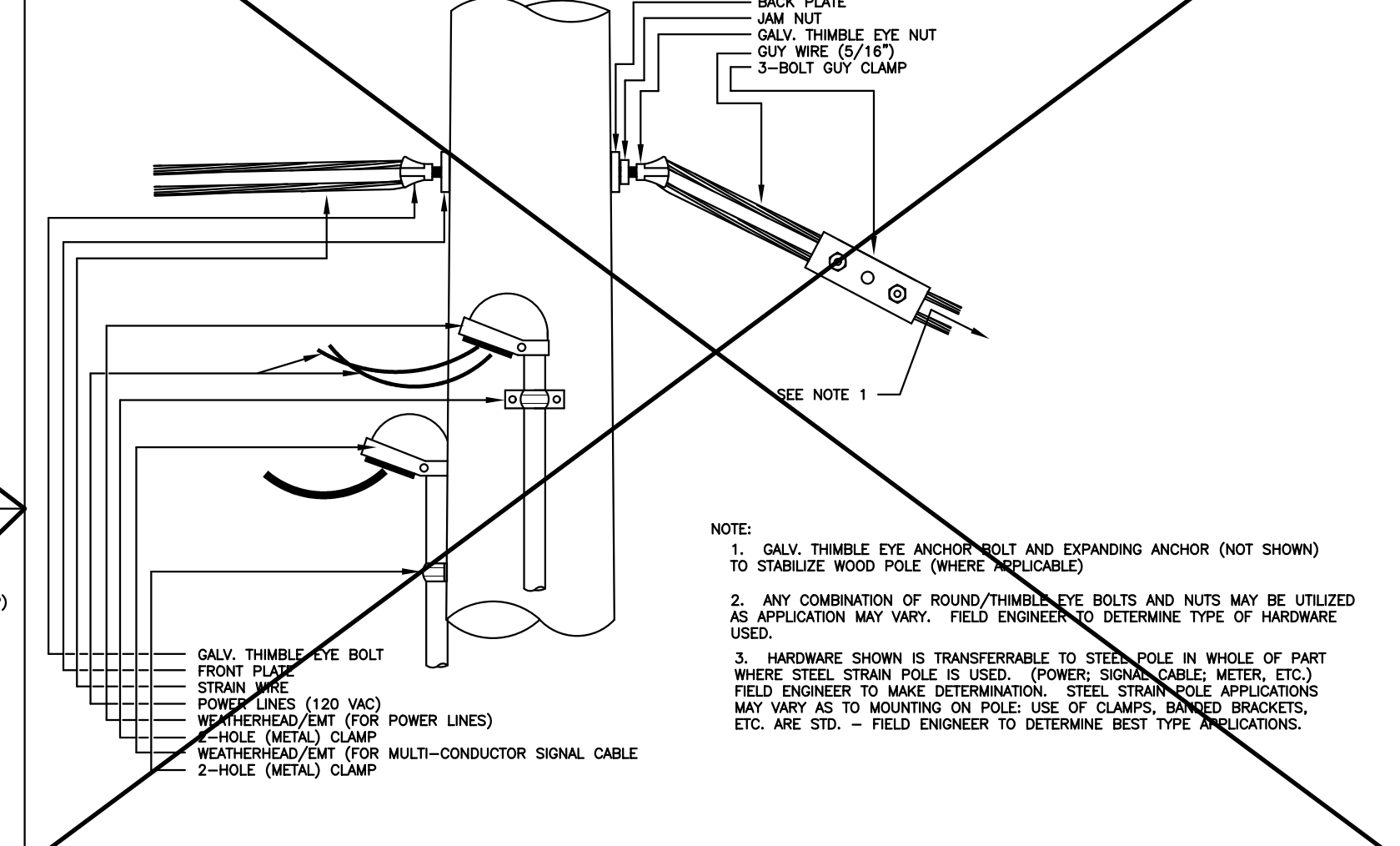
**STRAIN POLE ASSEMBLY**



**SIGNAL BRACKET ASSEMBLY DETAILS**



**WOOD POLE ASSEMBLY DETAILS  
KGE POLE EXCLUDED**



|  |                      |                   |
|--|----------------------|-------------------|
| <b>POWER POLE AND SPAN POLE ASSEMBLY DETAILS</b>   |                      |                   |
| TRAFFIC ENGINEER<br><b>PAUL GUNZELMAN, P.E.</b>  |                      |                   |
| PROJECT NUMBER<br>472-85285  | OCA NUMBER<br>707101 | DATE<br>7/5/2017  |
| CITY ENGINEER'S OFFICE<br>CITY HALL - SEVENTH FLOOR<br>455 NORTH MAIN STREET<br>WICHITA, KANSAS 67202-1620<br>(316) 268-4501 |                      | SHEET<br>78 of 90 |