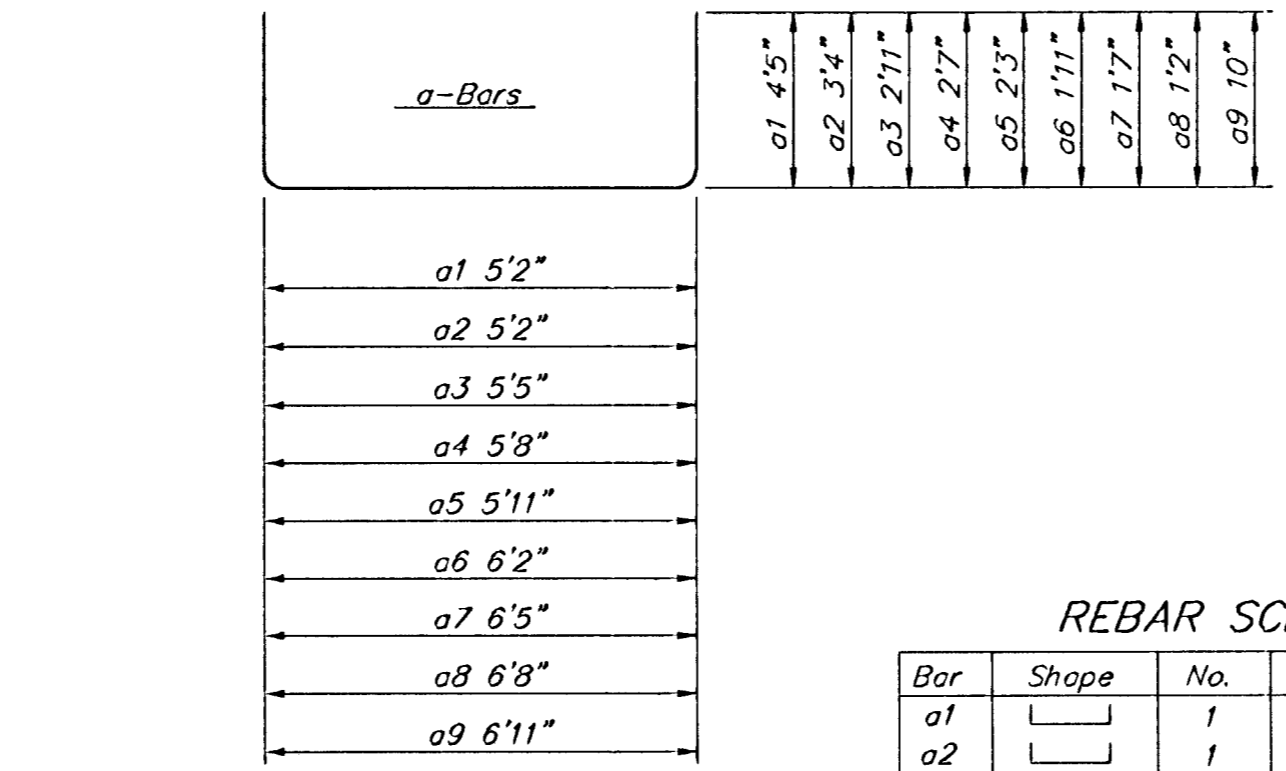
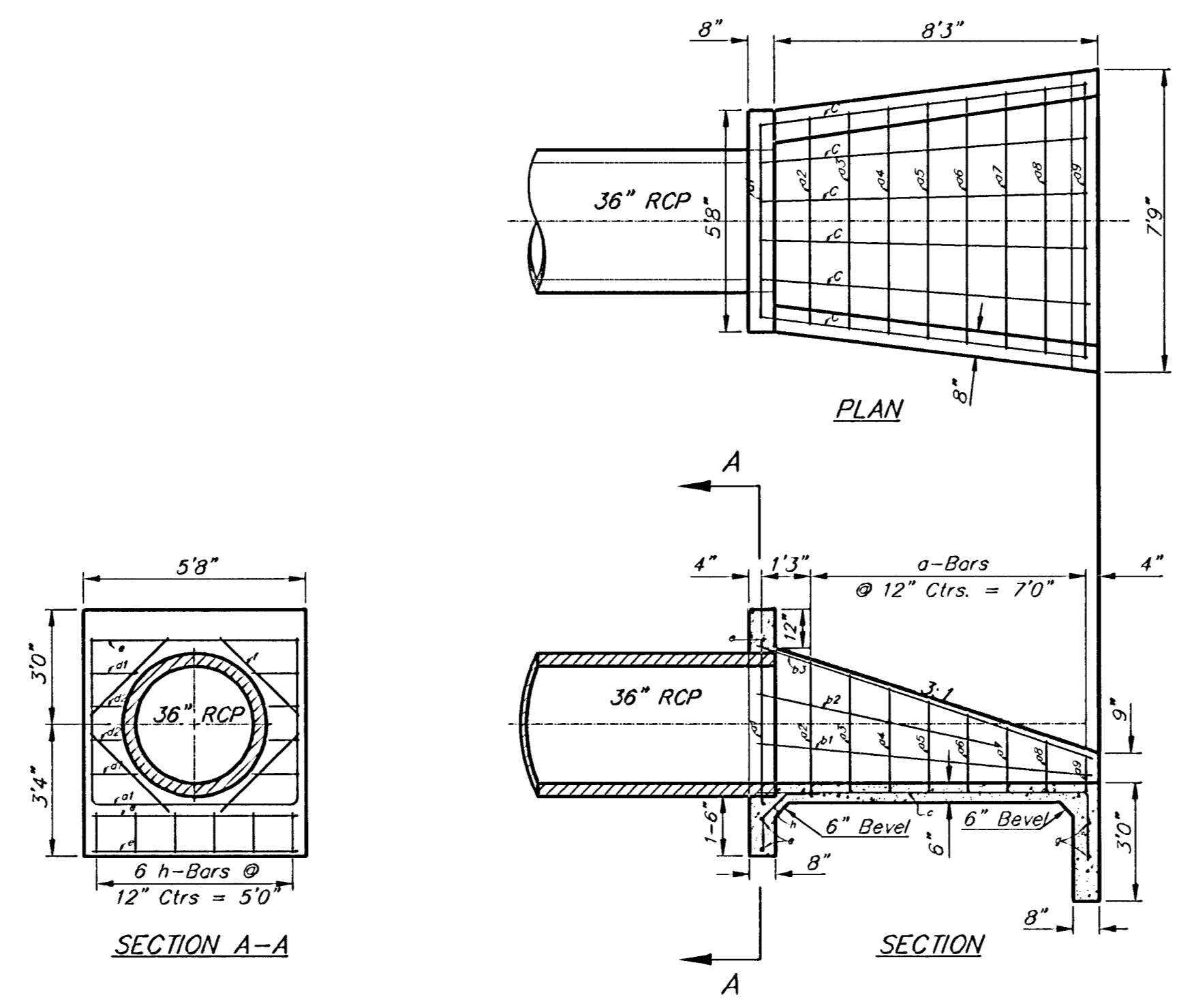


REBAR SCHEDULE

Bar	Shape	No.	Length	Weight
a1		1	15'7"	10.41
a2		1	13'10"	9.24
a3		1	13'5"	8.96
a4		1	13'0"	8.68
a5		1	12'6"	8.35
a6		1	12'1"	8.07
a7		1	11'8"	7.79
a8		1	11'3"	7.52
a9		1	10'9"	7.18
a10		1	10'5"	6.96
a11		1	10'0"	6.68
b1		2	10'2"	13.58
b2		2	7'3"	9.69
b3		2	10'8"	14.25
c		7	12'0"	56.11
d1		4	1'3"	3.34
d2		4	9"	2.00
e		3	5'10"	11.69
f		4	3'0"	30.06
g		2	8'0"	10.69
h		6	2'6"	6.68
Total Rebar			247.93 Lbs.	
Concrete			10.12 C.Y.	

A Deduction in Concrete Quantities Has Been Made for Pipe Openings Through the Headwall
 * Field Bend or Cut Reinforcing as Required for Clearance.
 All Concrete Reinforcement to be #4 Rebar
 All Rebar to Have Min. of 1 1/2" Conc. Cover

HEADWALL FOR 42" RCP

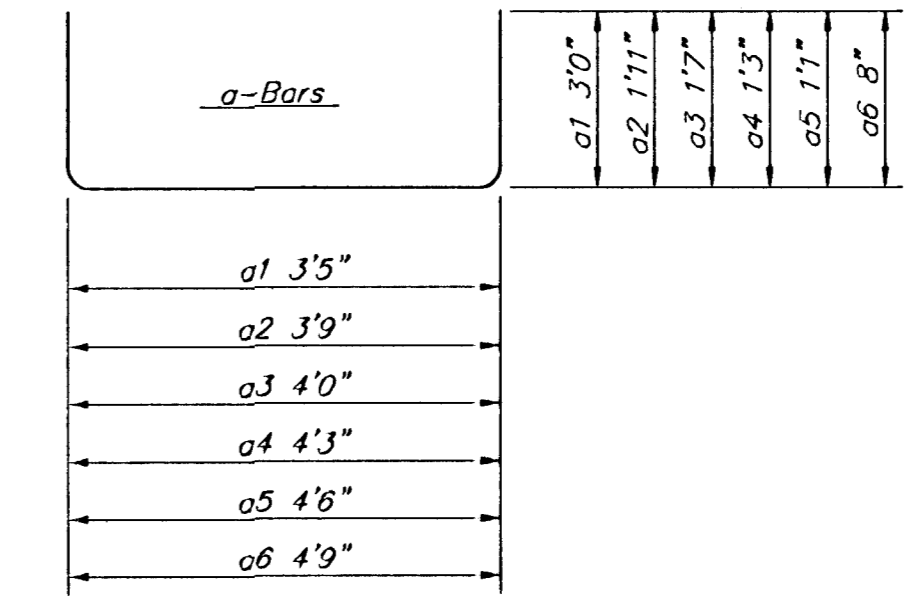
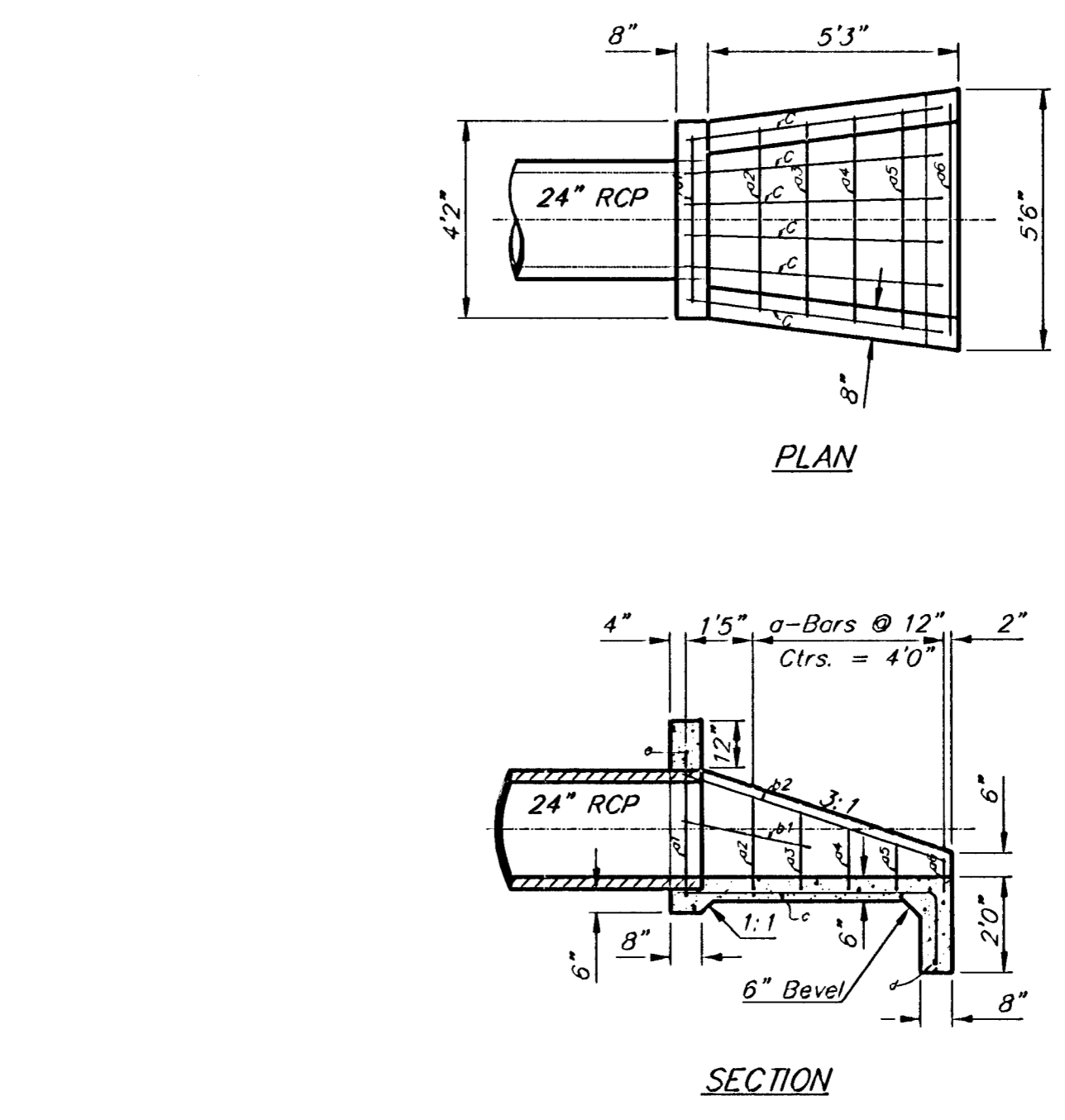


REBAR SCHEDULE

Bar	Shape	No.	Length	Weight
a1		1	14'0"	9.35
a2		1	11'10"	7.90
a3		1	11'3"	7.52
a4		1	10'10"	7.24
a5		1	10'5"	6.96
a6		1	10'0"	6.68
a7		1	9'7"	6.40
a8		1	9'0"	6.01
a9		1	8'7"	5.73
b1		2	8'5"	11.24
b2		2	4'7"	6.12
b3		2	9'0"	12.02
c		6	10'4"	41.42
d1		4	1'6"	4.01
d2		4	10"	2.23
e		3	5'4"	10.69
f		4	3'0"	8.02
g		2	7'0"	9.35
h		6	2'6"	10.25
Total Rebar			178.91 Lbs.	
Concrete			3.20 C.Y.	

A Deduction in Concrete Quantities Has Been Made for Pipe Openings Through the Headwall
 * Field Bend or Cut Reinforcing as Required for Clearance.
 All Concrete Reinforcement to be #4 Rebar
 All Rebar to Have Min. of 1 1/2" Conc. Cover

HEADWALL FOR 36" RCP



REBAR SCHEDULE

Bar	Shape	No.	Length	Weight
a1		1	9'5"	6.29
a2		1	7'2"	5.07
a3		1	7'2"	4.79
a4		1	6'9"	4.51
a5		1	6'4"	4.23
a6		1	6'1"	4.06
b1		2	2'9"	3.67
b2		2	5'10"	7.79
c		6	6'11"	27.72
d		1	5'0"	3.37
e		1	3'10"	2.56
Total Rebar			74.03 Lbs.	
Concrete			1.40 C.Y.	

A Deduction in Concrete Quantities Has Been Made for Pipe Openings Through the Headwall
 * Field Bend or Cut Reinforcing as Required for Clearance.
 All Concrete Reinforcement to be #4 Rebar
 All Rebar to Have Min. of 1 1/2" Conc. Cover

HEADWALL FOR 24" RCP

HEADWALL DETAIL

BAUGHMAN COMPANY P.A.
 ENGINEERING, SURVEYING, & PLANNING
 315-282-7271 • 315 ELLIS • WICHITA, KANSAS 67211

PROJECT NUMBER
488-83579

SHEET
20
 OF
32

DESIGN BLP/DMV	DRAWN JAK	APPROVED	DATE	SCALE NONE
-------------------	--------------	----------	------	---------------