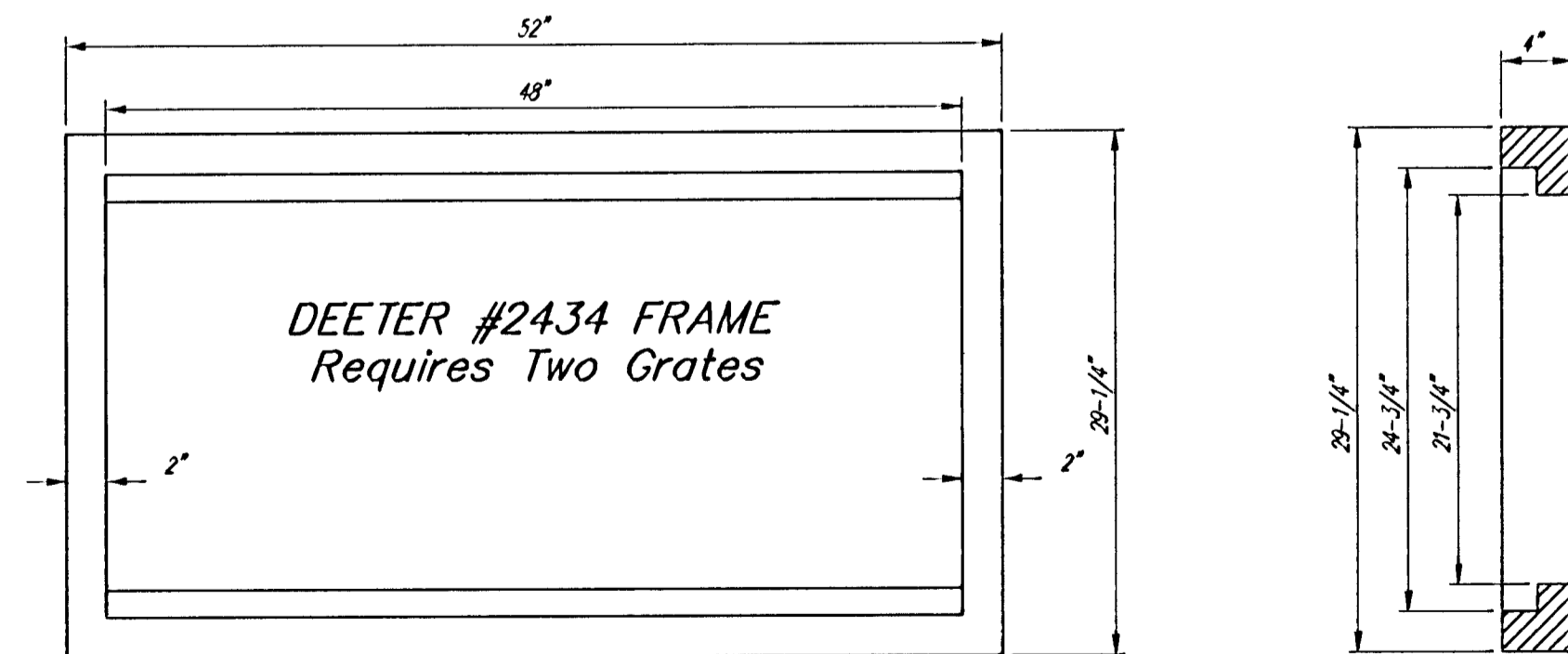


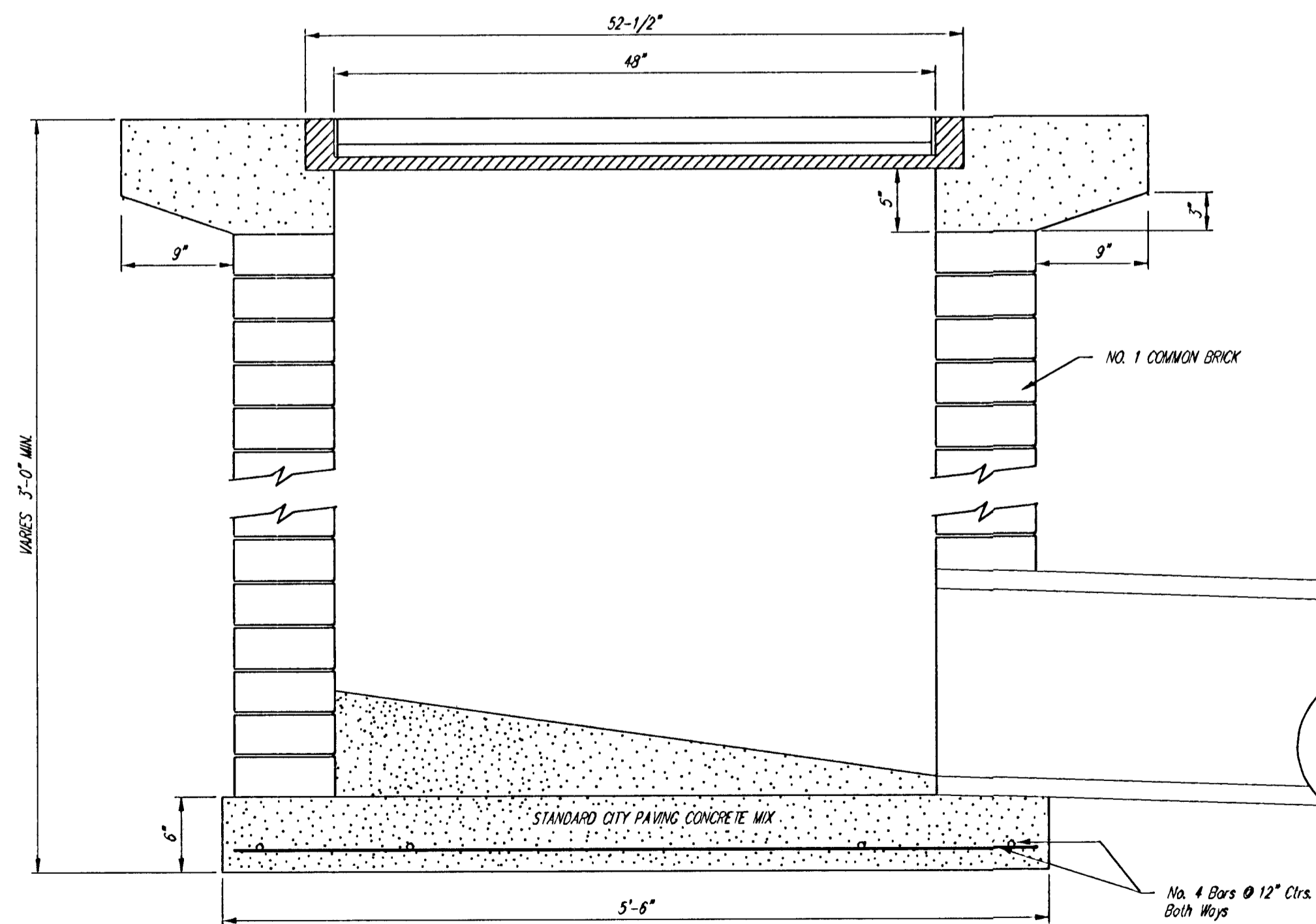
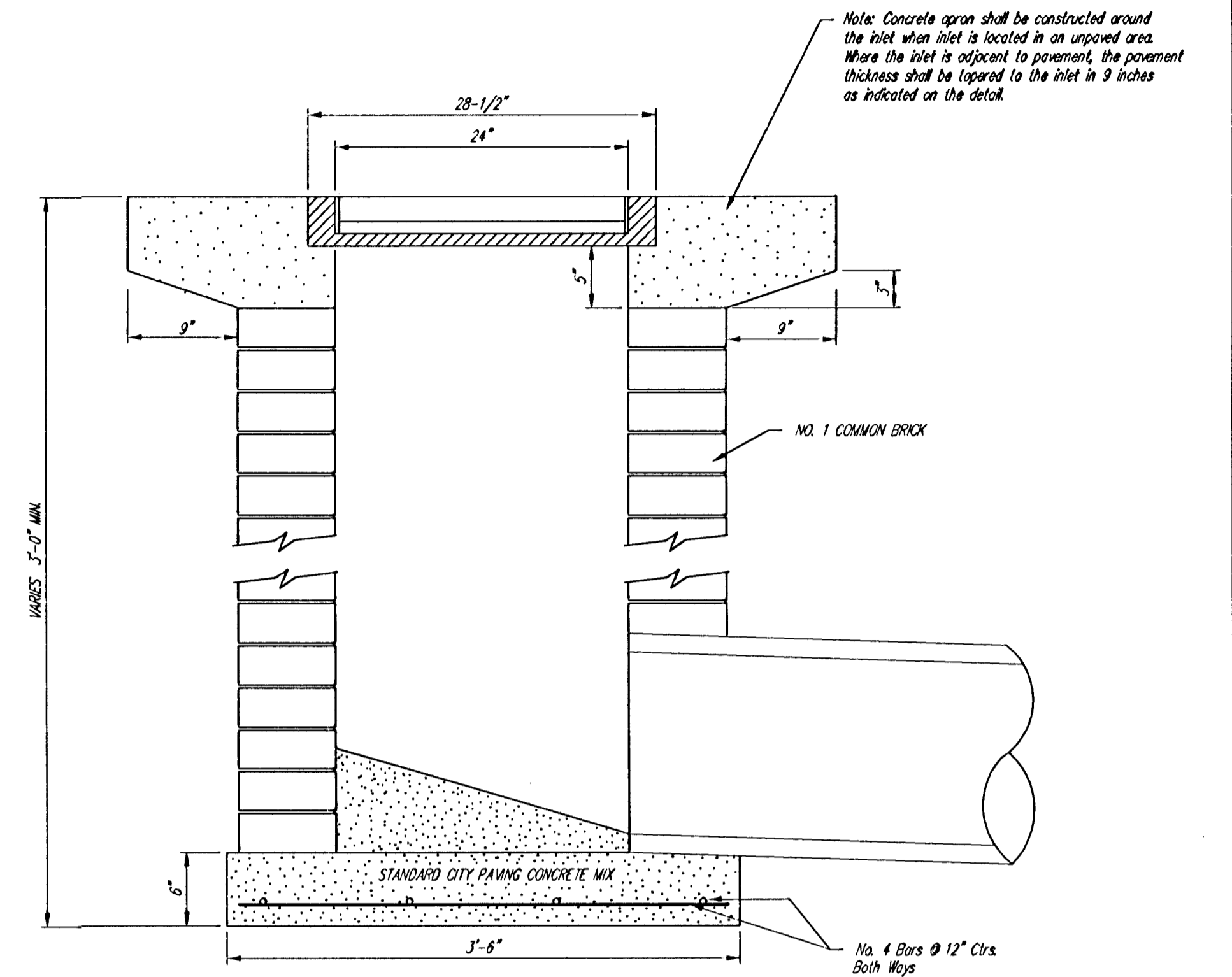
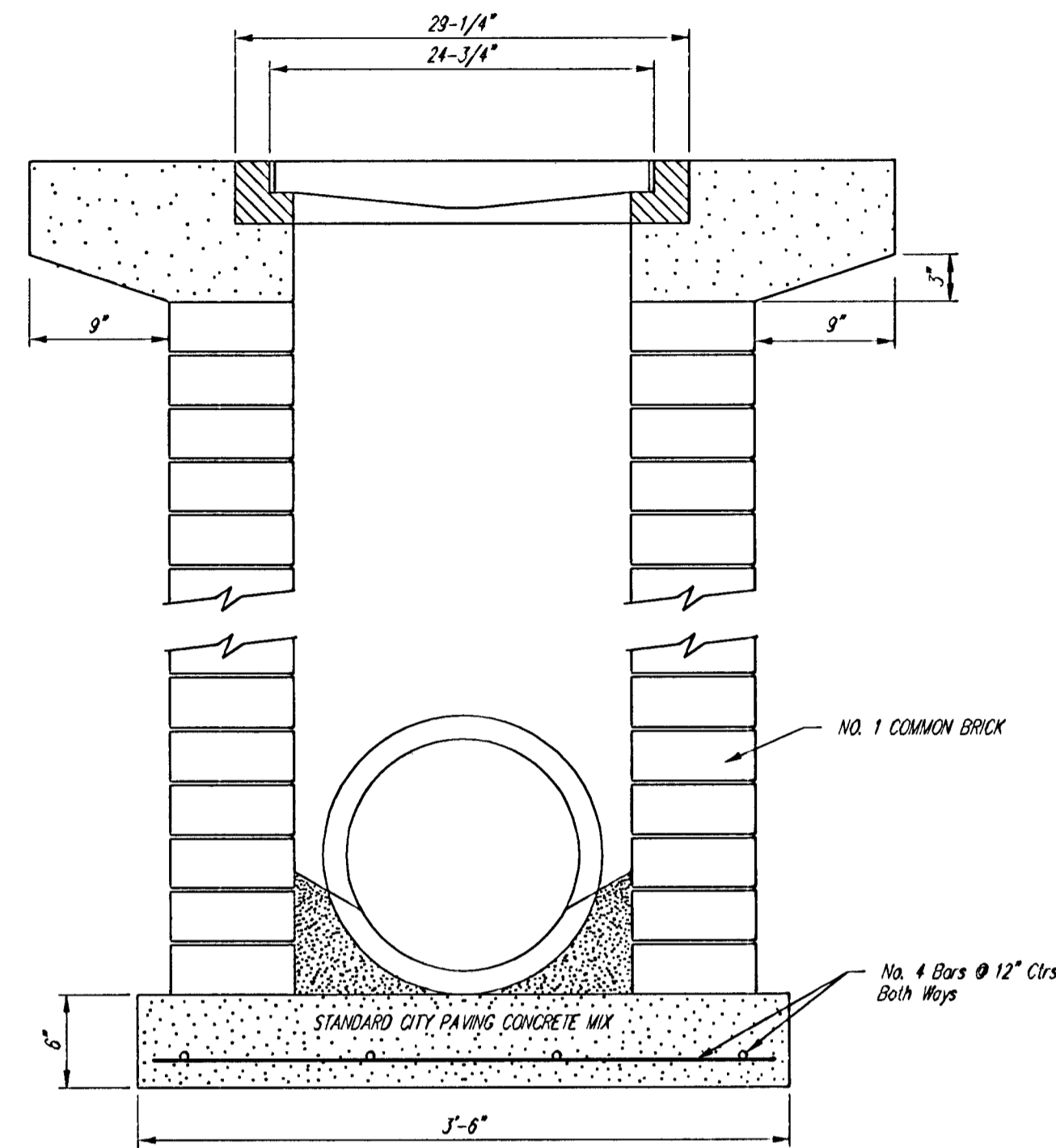
DEETER #2433 GRATE

24" x 24" Frame and Grate Detail

NOTE: Grates shall be imprinted on the top surface with "CITY OF WICHITA" using letters at least 1" in height. Other marking methods may be approved by the engineer.



Double 24" x 24" Frame Detail



City of Wichita Standard <b>Drop Inlet</b>				
<b>BAUGHMAN COMPANY P.A.</b> ENGINEERING, SURVEYING, & PLANNING 316-262-7271 • 315 ELLIS • WICHITA, KANSAS 67211				
PROJECT NUMBER <b>488-83879</b>				SHEET <b>21</b>
DESIGN C.O.W.	DRAWN Staff	APPROVED	DATE 4/02/03	SCALE NONE
				32

DropInlet