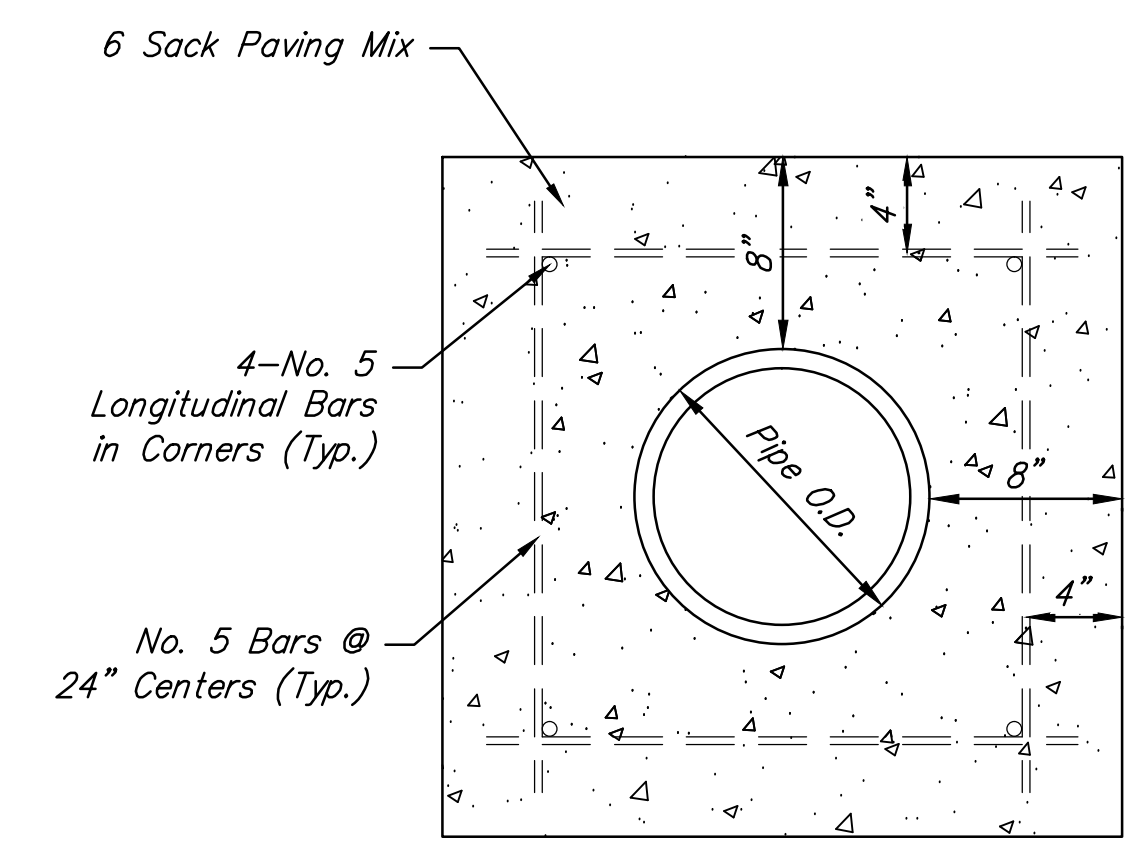
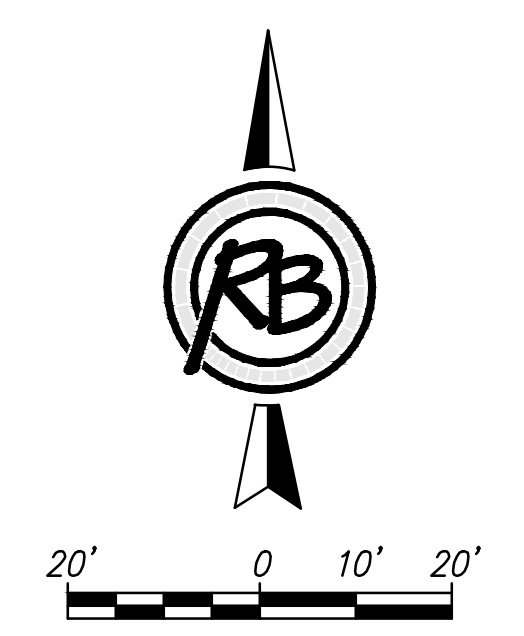
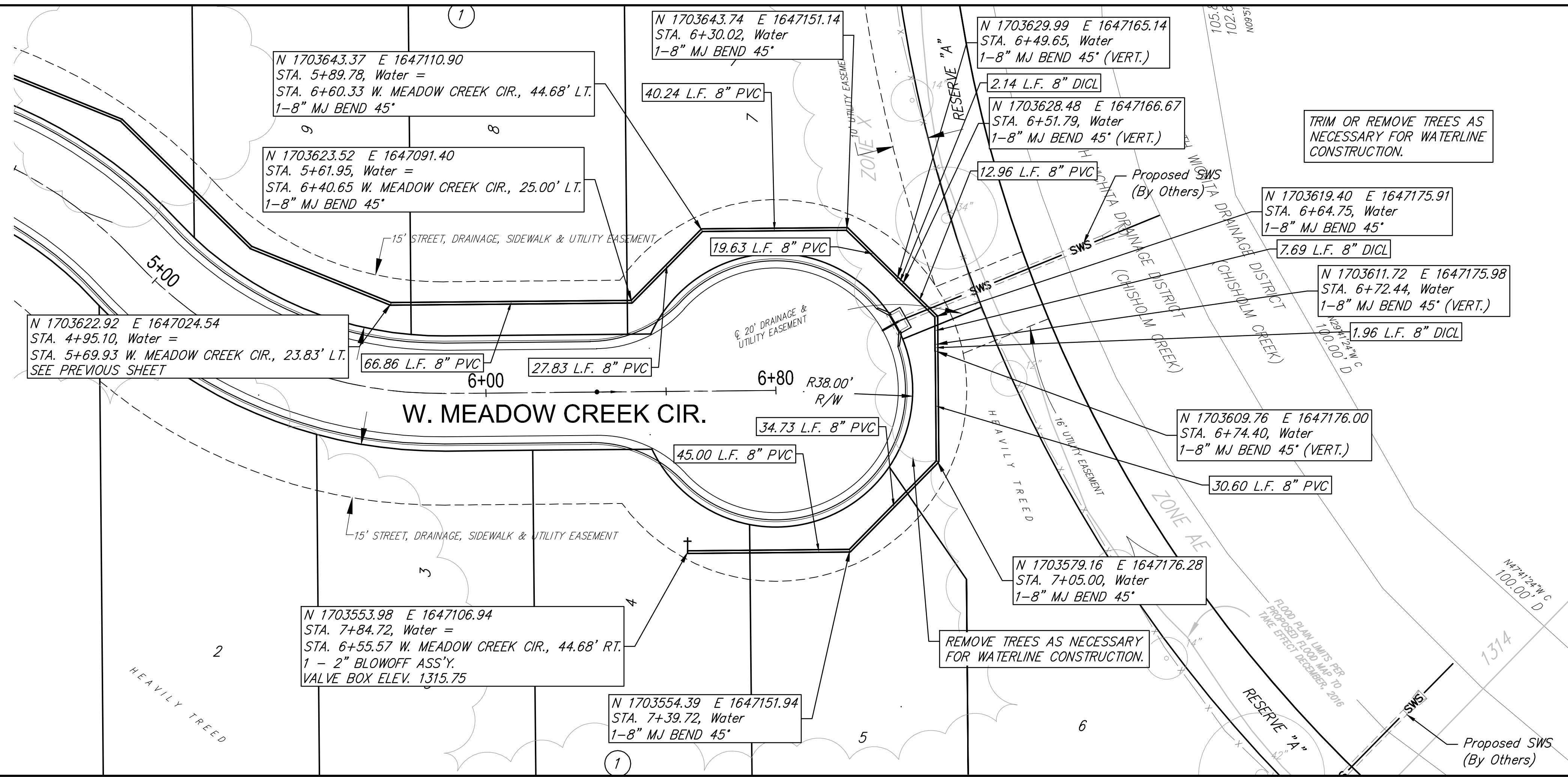
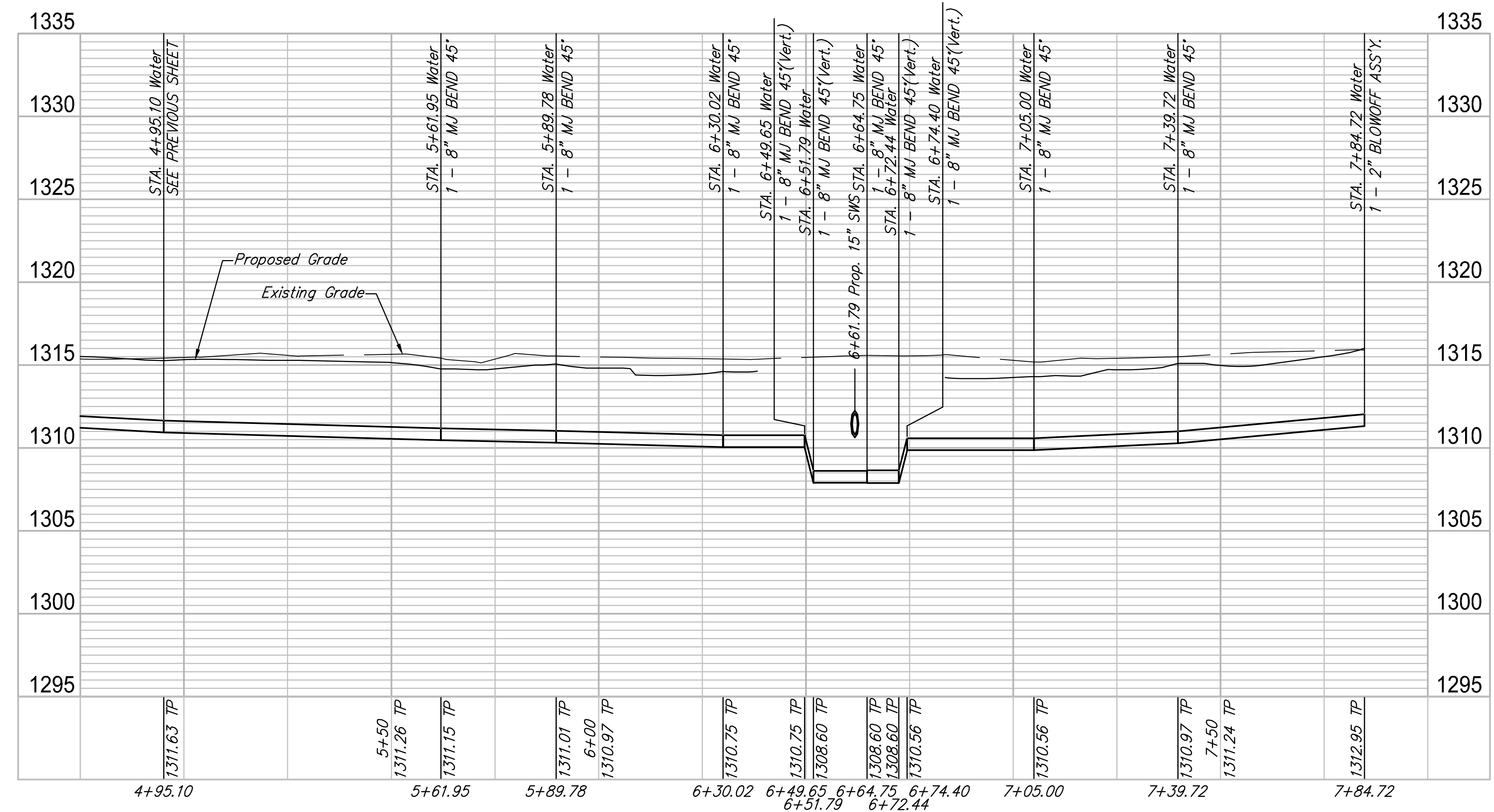


F:\Projects\Projects 4800-4899\4866E (Chisholm Cove Engineering)\Plans\Water\Water Line 1-2.dwg



CONCRETE ENCASEMENT DETAIL



PROJECT NUMBER	448-30811
DRAWING FILE	Water Line 1-2
DESIGN	KWL
DRAWN	KWL
REVIEW	6-8-2017
DATE	7-17-2017
Chisholm Cove Addition Water Line 1 (2 OF 2) Wichita, Kansas	
RB JOB SHEET	4866E
OF	4
SHEET	13