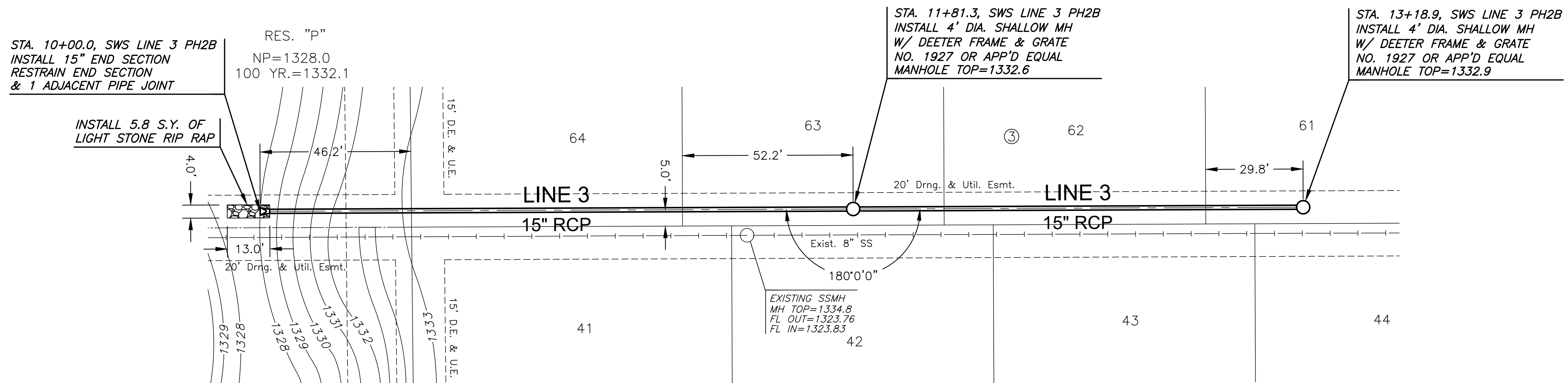
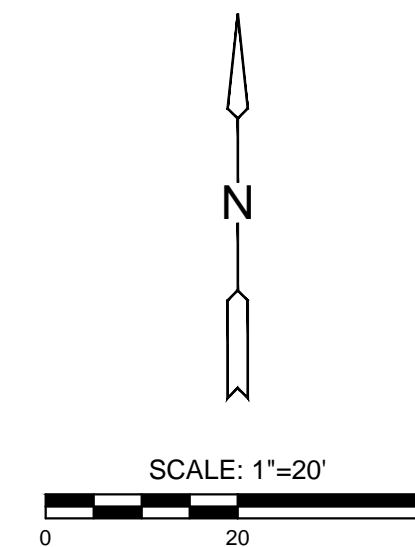


PLOTTED: Monday, July 17, 2017 @ 11:56AM

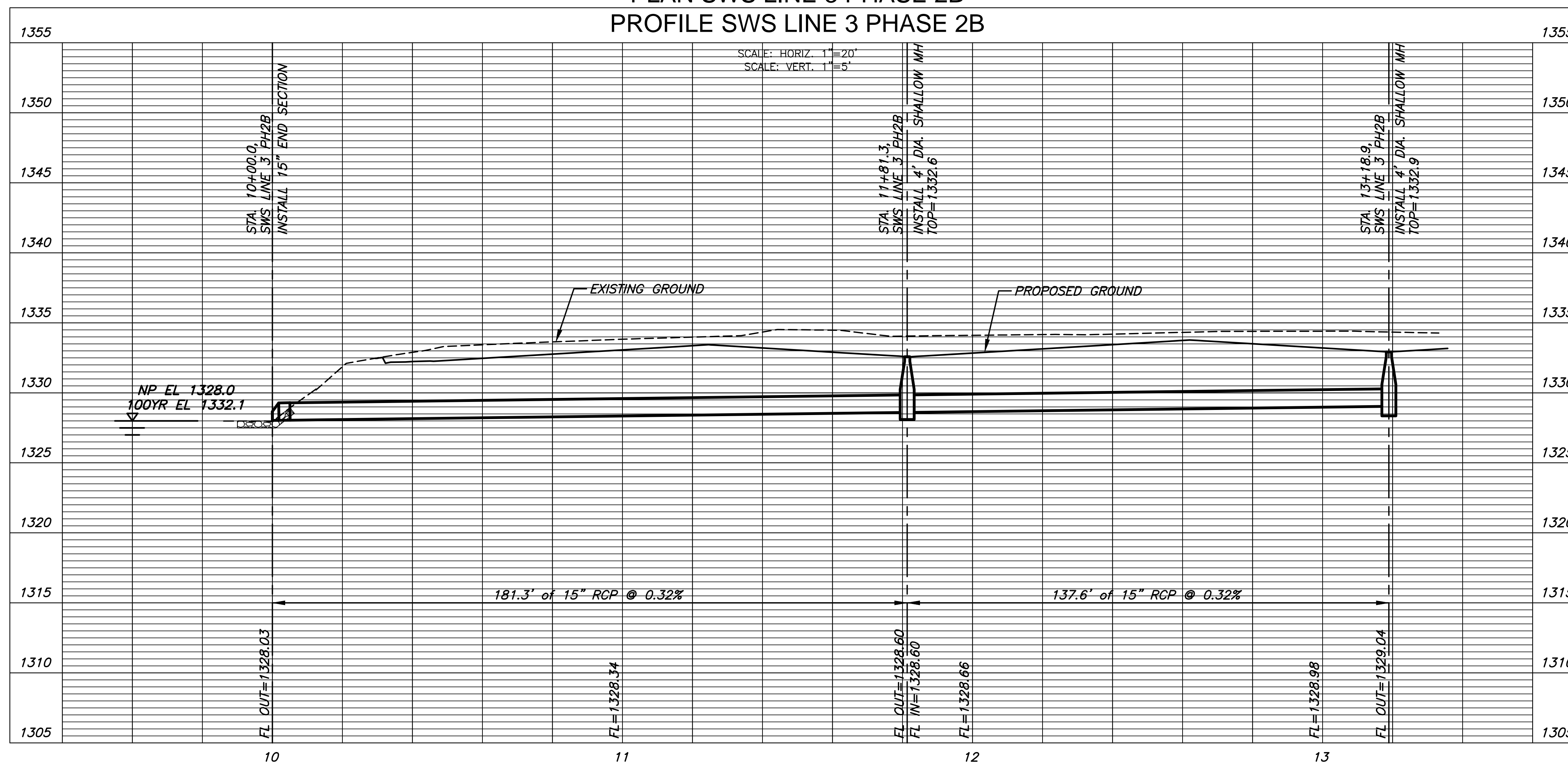
J:\PROJECTS\2017\1401010462 - PREMIER ESTANCIA\DWG\CIVIL\CADD\SWS\RESIDENTIAL\PH2B\1462-RES_DP-02_PH2B.DWG



NOTE:
CONTRACTOR TO VERIFY THE
DEPTH AND LOCATION OF EXISTING
UTILITIES PRIOR TO CONSTRUCTION.



PLAN SWS LINE 3 PHASE 2B
PROFILE SWS LINE 3 PHASE 2B



STORM WATER SEWER PLAN FOR
ESTANCIA ADDITION
PHASE 2B

©2017
MKEC Engineering
All Rights Reserved
www.mkec.com
These drawings and their contents,
including, but not limited to, all concepts,
designs, & ideas are the exclusive
property of MKEC Engineering (MKEC),
and may not be used or reproduced in any
way without the express consent of MKEC.

LINE 3		
PROJECT NO.	468-85209	
DATE	JUNE 2017	
SCALE	1" = 20'	
DESIGNED	DRAWN	CHECKED
DFL	JWC	GJA
NO.	REVISION	DATE
SHEET NO.		
07 OF 17		