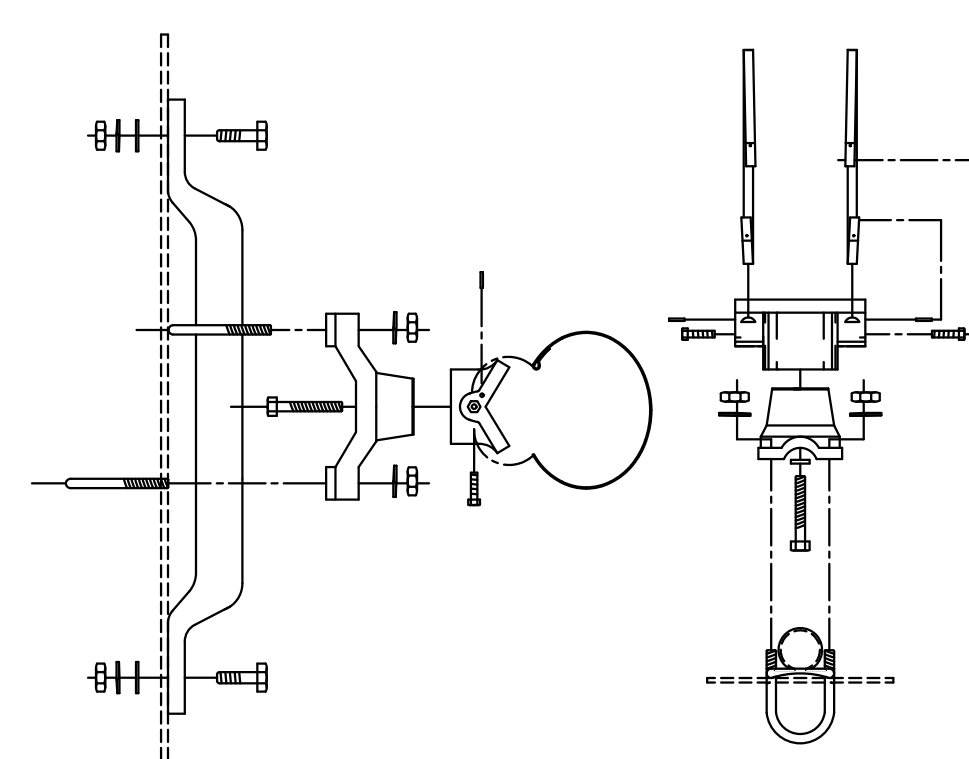
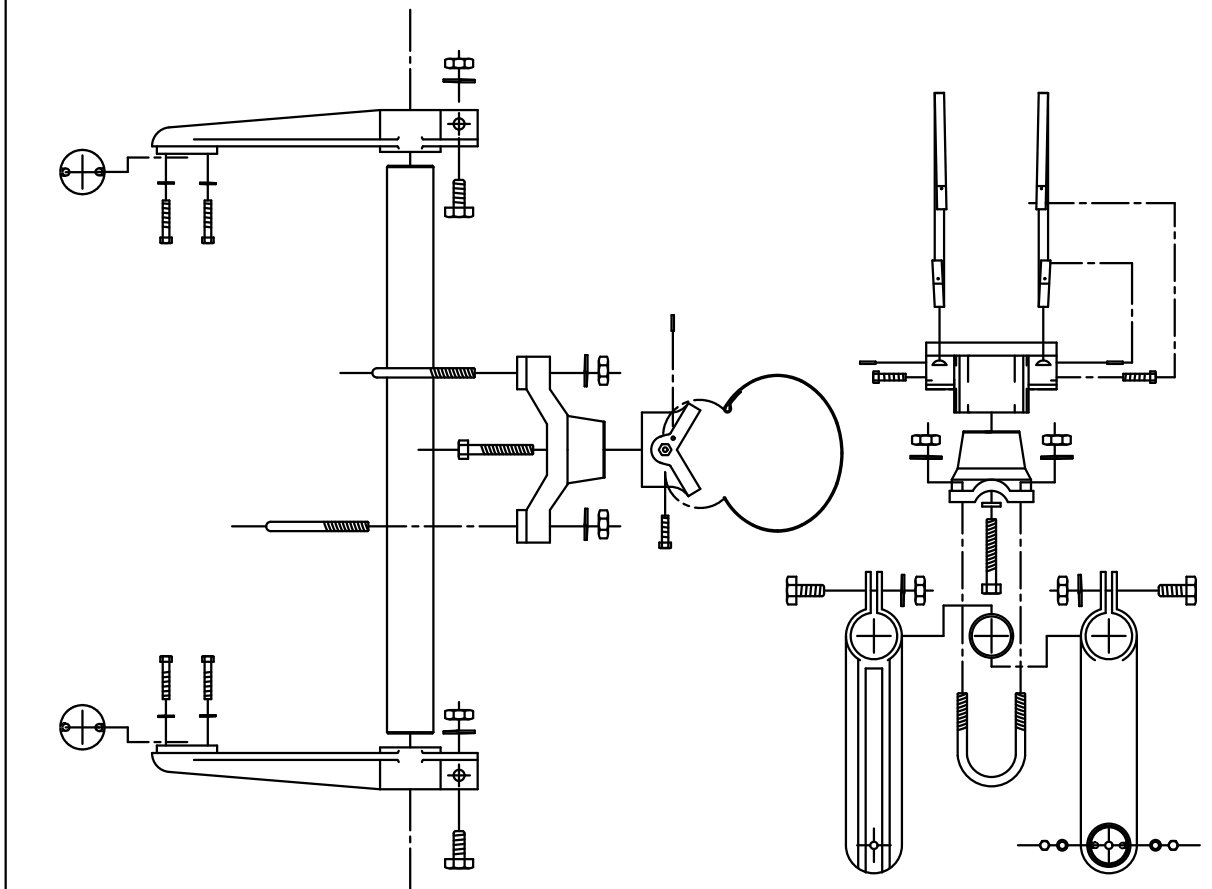


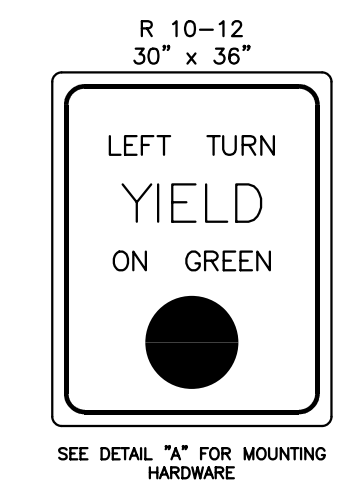
BANDED SIGN MOUNTING BRACKET DETAIL



TYPE I SIGNAL MOUNTING BRACKET ASSEMBLY DETAIL



STANDARD SIGNING



DWG. NO. N45AND-X

PUSH BUTTON STATION

Message and Sound options include:

- Locating tone
- Verbal Street Name (Example: Crossing Main at Central)
- All features field selectable using a Configurator.

Construction:

- Die-cast aluminum, powder coated black in color.
- Street Name in Braille in the directional arrow of the sign.
- Option "B" signing option.

Push button:

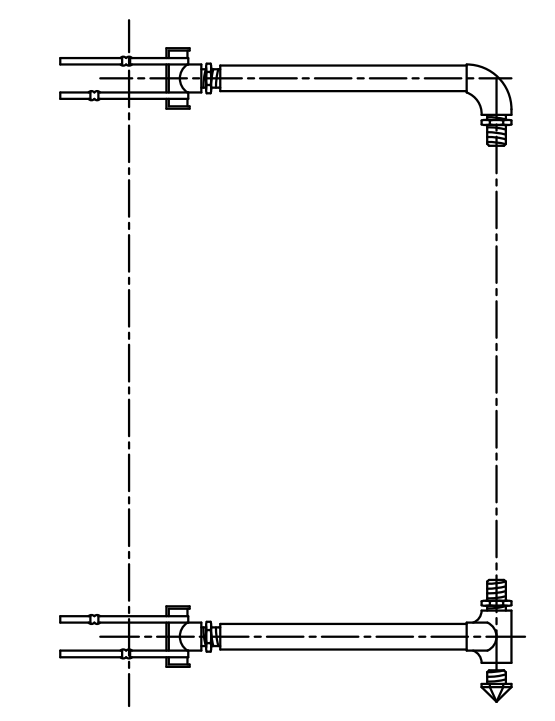
- ADA compliant
- Raised tactile arrow on the button
- Solid State switch rated at a Minimum of 20 million actuations

PLATE MARKING OPTIONS

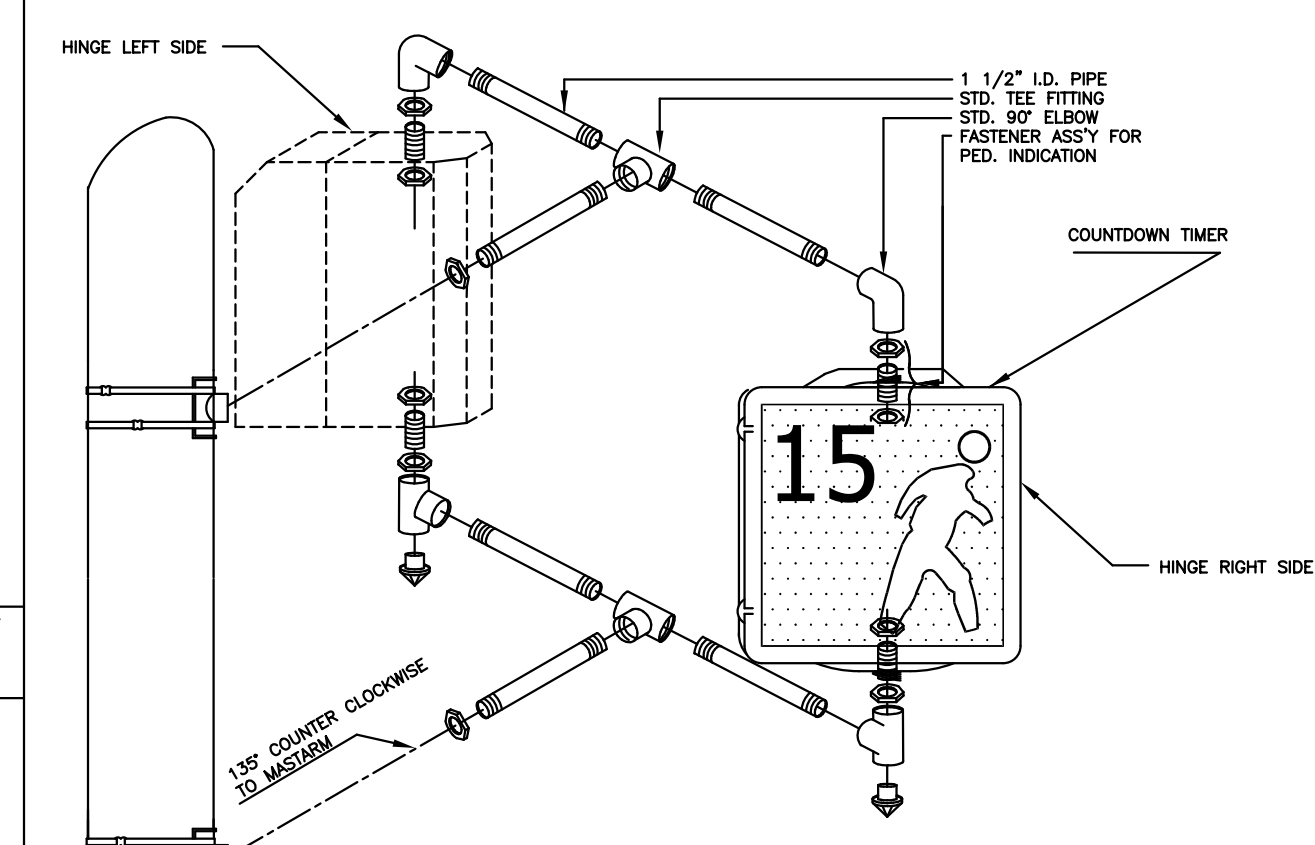
STANDARD OPTION A

OPTION B

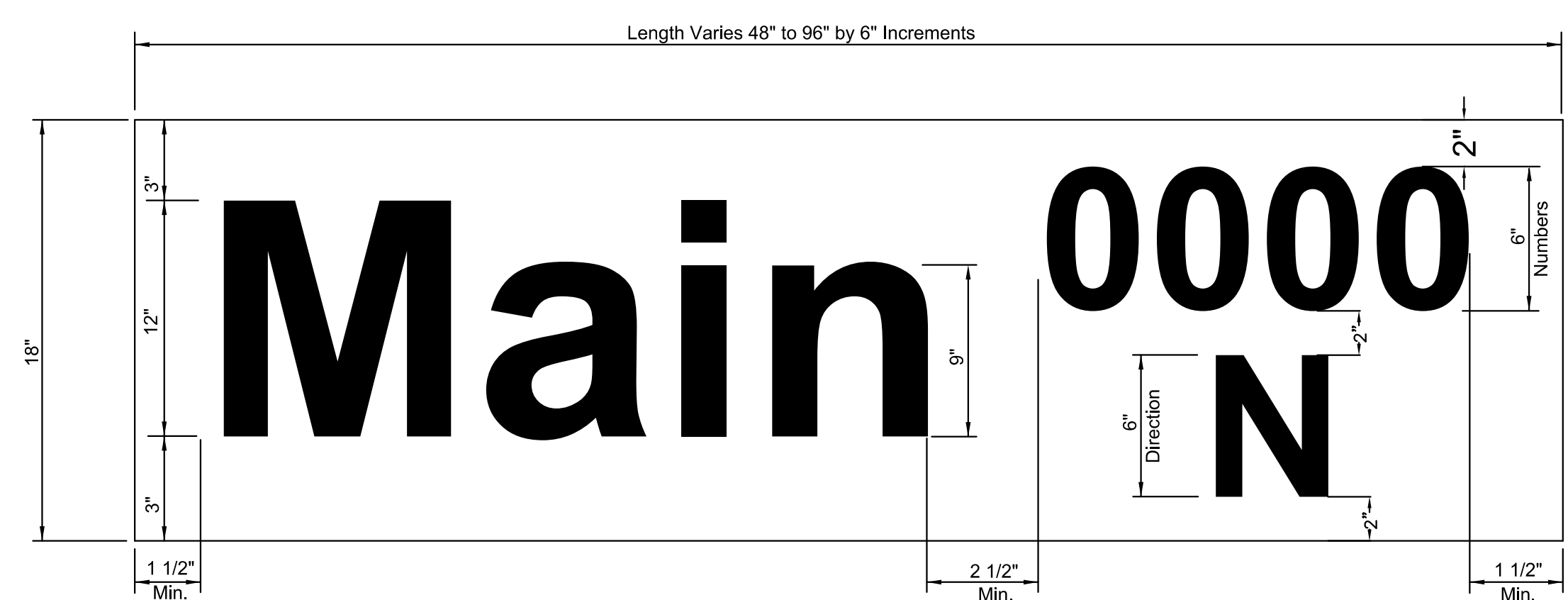
TYPE III SIDE-OF-POLE MOUNTING BRACKET ASSEMBLY



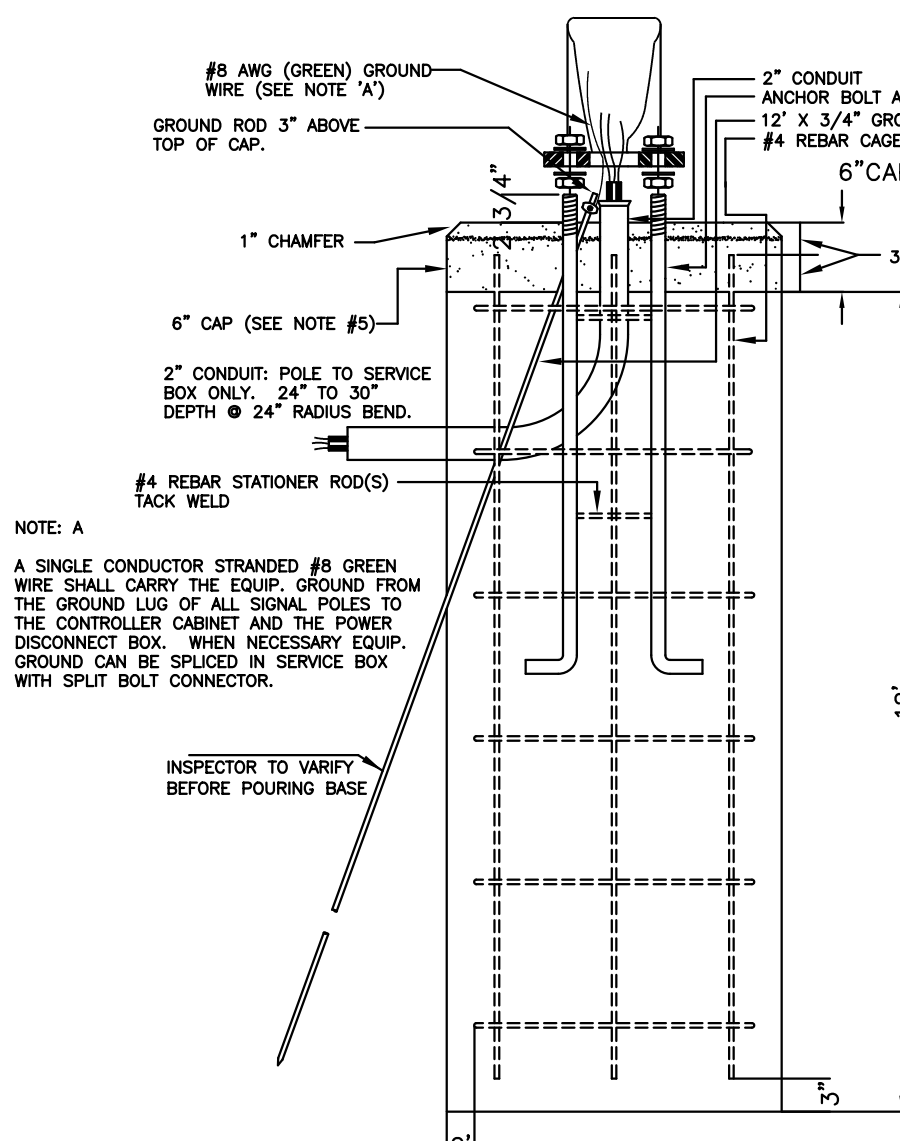
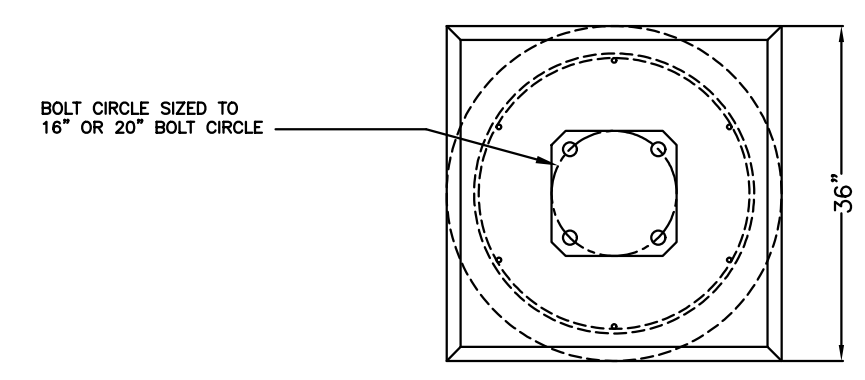
TYPE II SIGNAL MOUNTING BRACKET ASSEMBLY (SIDE-OF-POLE)



- DIRECTIONAL ALIGNMENT OF PED. INDICATIONS & BRACKET(S) SHALL BE DETERMINED IN THE FIELD BY THE ENGINEER.
- THROUGH HOLES IN THE POLE SHALL BE DRILLED AND WELL REAMED TO PREVENT CABLE CHAFING.
- HINGE PEDESTRIAN SIGNAL DOORS AWAY FROM POLE.
- CLAM SHELL BRACKETS ARE NOT ACCEPTABLE.

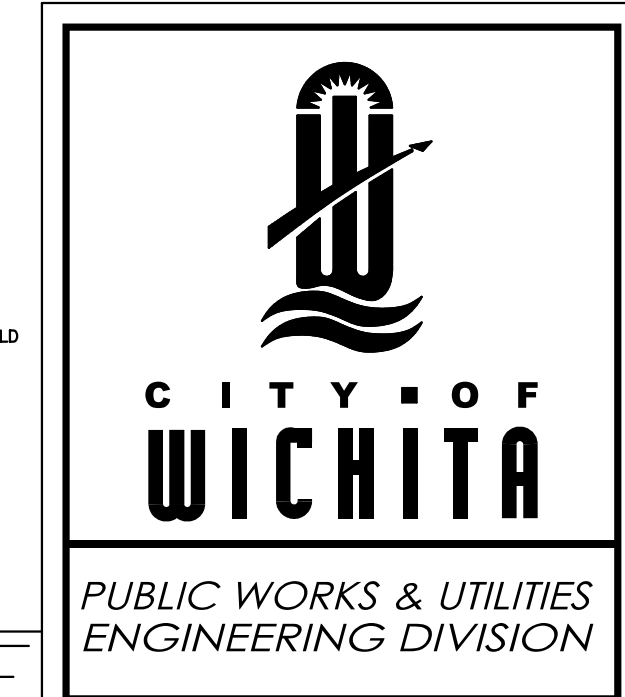
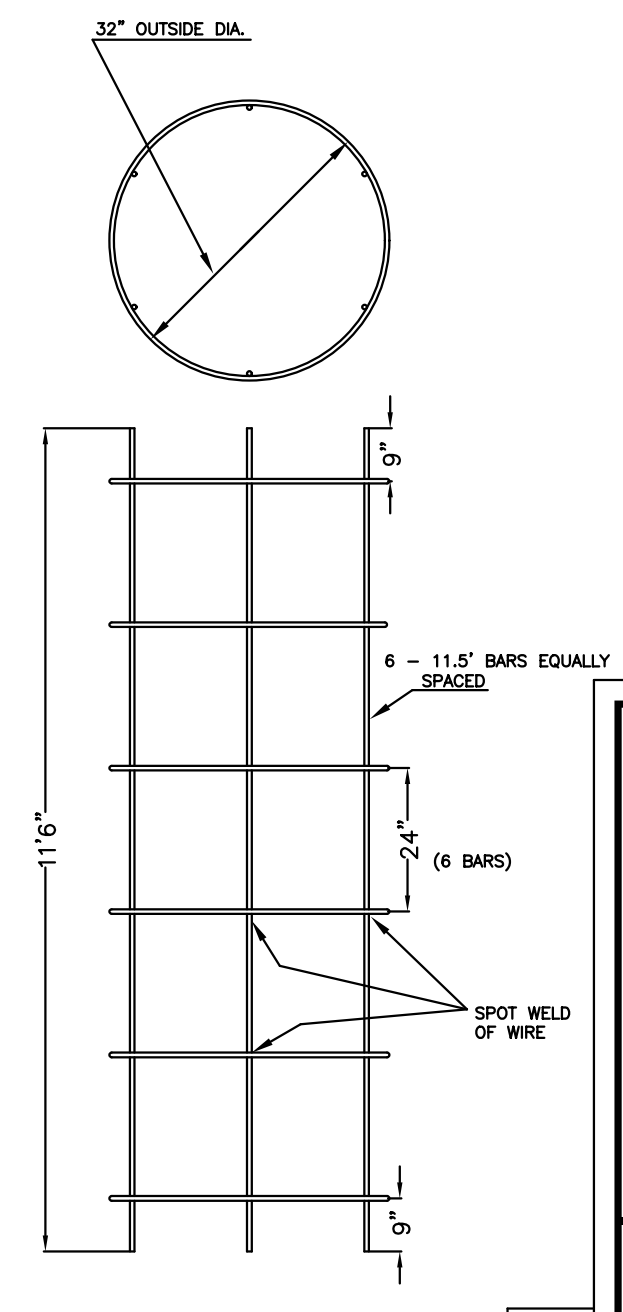


DETAIL D METRO



- NOTE:
- THE ANCHOR BOLTS FOR THE SIGNAL POLE SHALL BE TACK WELDED TOGETHER IN A 16" OR 20" DIA. BOLT PATTERN (ON CENTERS AS SHOWN) TO MAINTAIN REQUIRED BOLT CONFIGURATION PATTERN AND TO AID IN VERTICAL POSITIONING WHILE CONCRETE BASE IS POURED.
 - USE ANTI-SEIZE COMPOUND ON ALL THREADS.
 - 12" x 3/4" GROUND ROD TO BE POSITIONED BEFORE POURING BASE.
 - CLASS 'A' CONCRETE SHALL BE USED TO CONSTRUCT BASE.
 - CONSTRUCT A 6" THICK x 36" SQUARE CONCRETE CAP AFTER POLE HAS BEEN ERECTED & PLUMBED. CHAMFER EDGE 1" MUST BE APPROVED BY ENG. BEFORE POURING.
 - CONDUIT SHALL HAVE PLASTIC (OR METAL) BUSHING (ABOVE BASE) TO PREVENT CABLE CHAFING.
 - USE #8 BARE COPPER GROUND CONDUCTOR FROM CLAMP TO GROUND BOLT IN ACCESS HOLE.

REBAR CAGE



REVISED: AUGUST 2014

STEEL SIGNAL POLE ASSEMBLY DETAILS

TRAFFIC ENGINEER

BRIAN A. COON, P.E.

PROJECT NUMBER	OGA NUMBER	DATE
87 N-0614-01	707066	5/26/2017

CITY ENGINEER'S OFFICE

CITY HALL - SEVENTH FLOOR

455 NORTH MAIN STREET

WICHITA, KANSAS 67202-1620

(316) 268-4501

SHEET

158 of 236