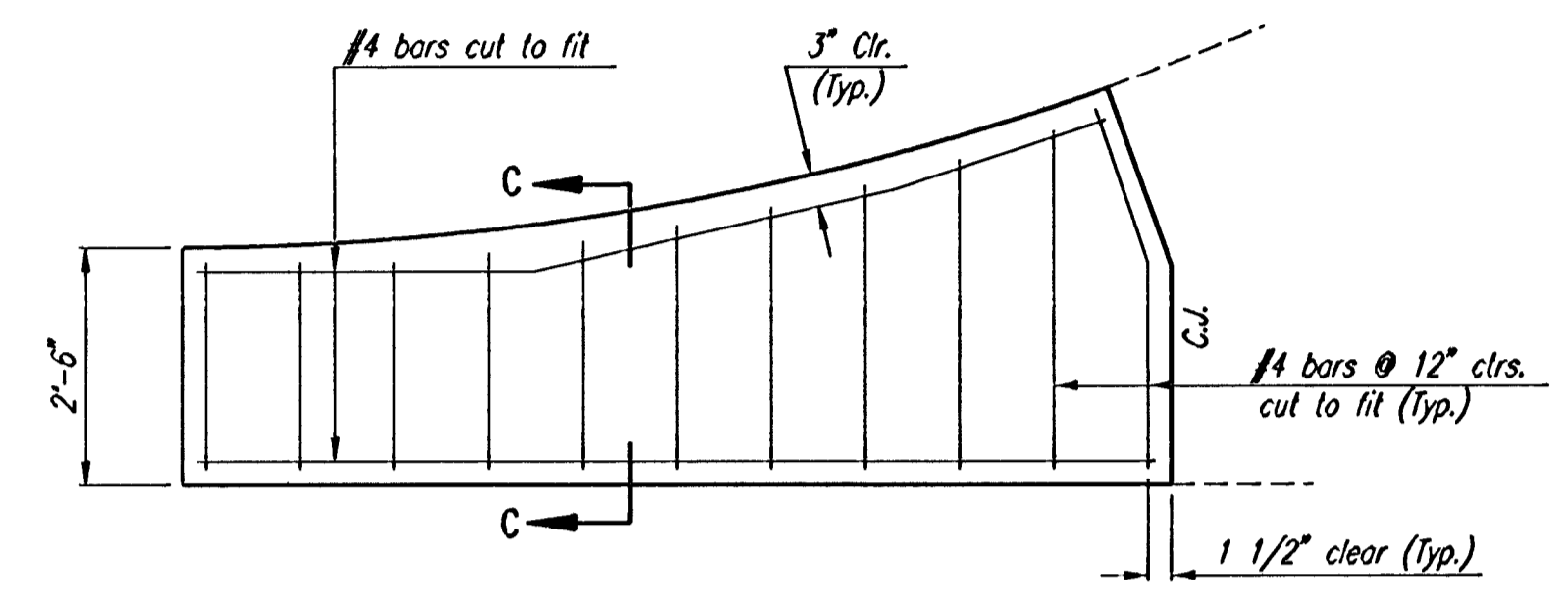


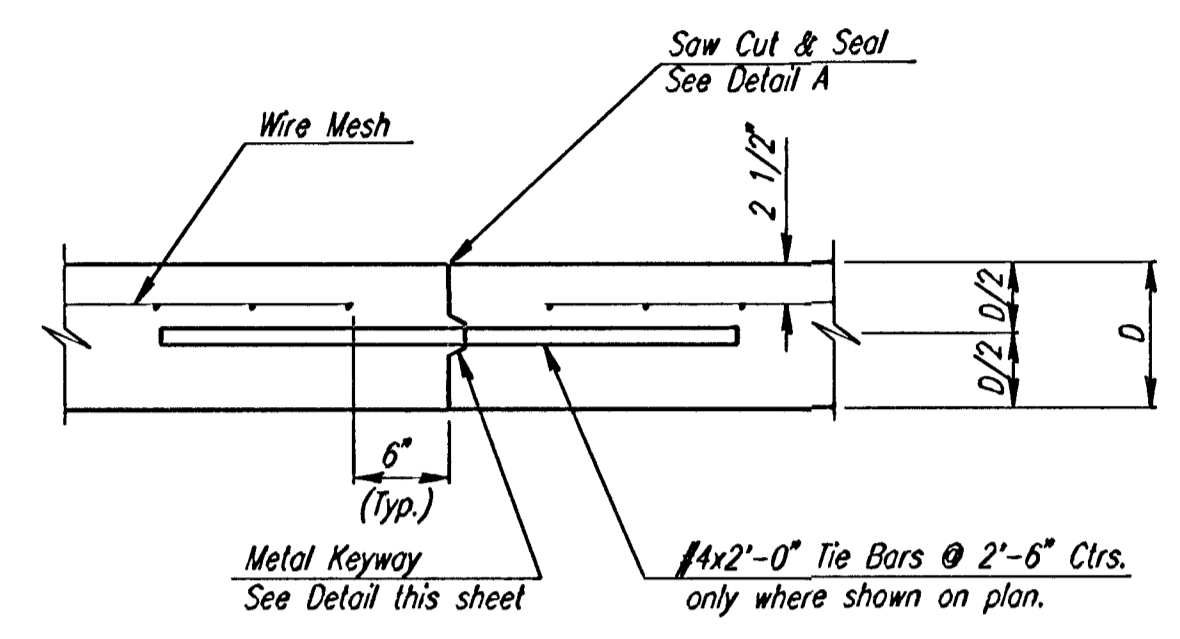
SECTION A-A

NOTE: OMIT REINFORCING MESH AT ALL JOINTS
NOTE: ALL CONCRETE VALLEY GUTTER REINFORCEMENT SHALL BE ADEQUATELY SUPPORTED BY BAR CHAIRS IN THE REQUIRED POSITION UNLESS APPROVED OTHERWISE BY THE ENGINEER.

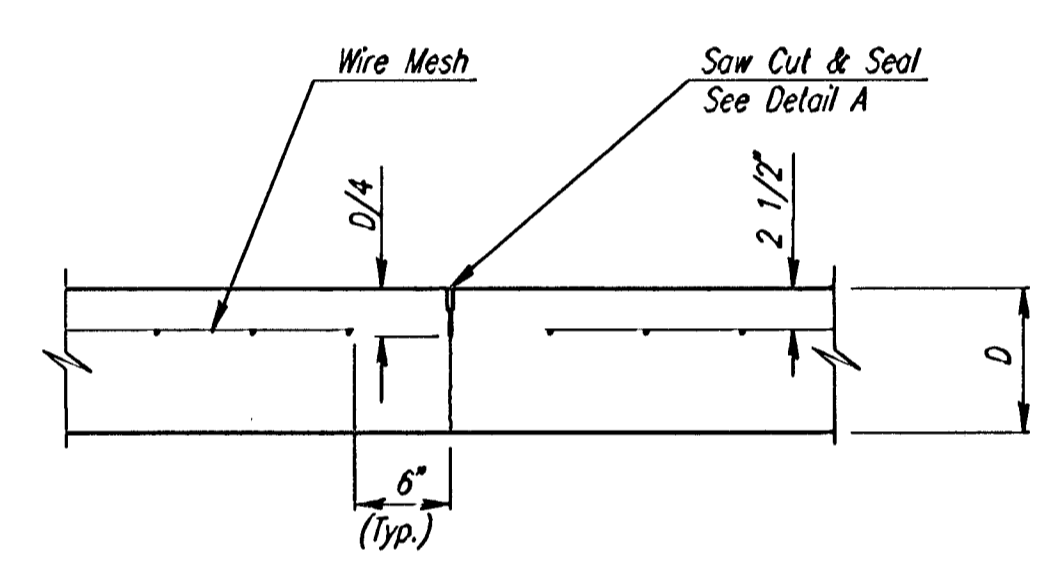


WING REINFORCING DETAIL

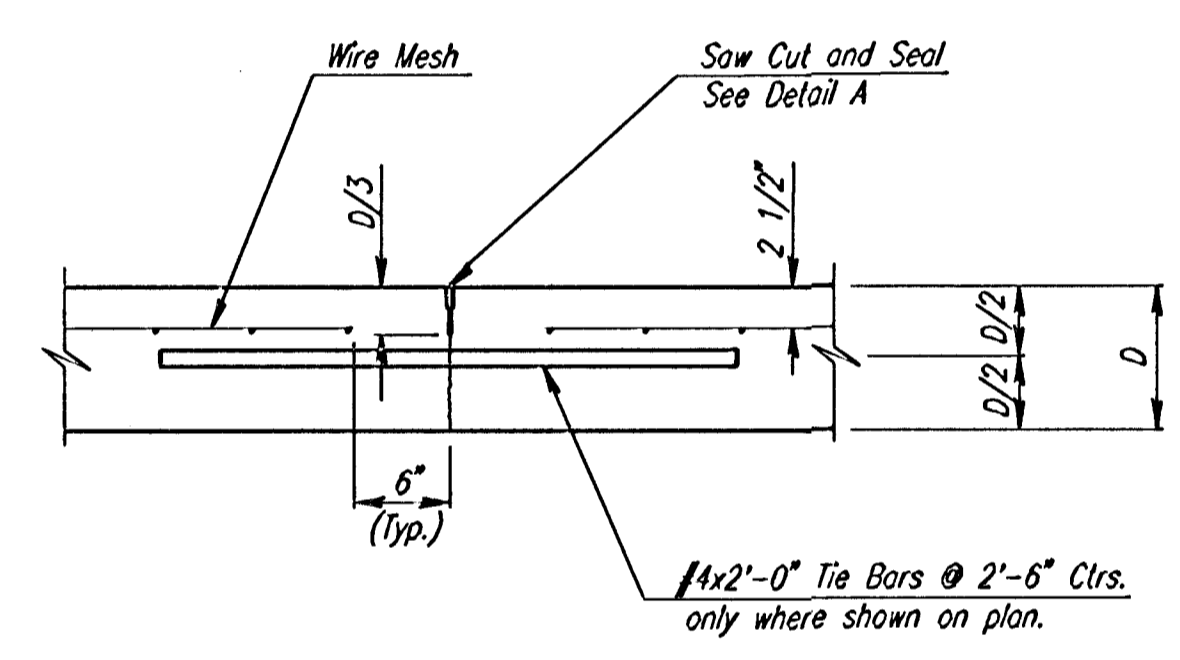
NOTE: OMIT WIRE FABRIC REINFORCING IN THIS SECTION.



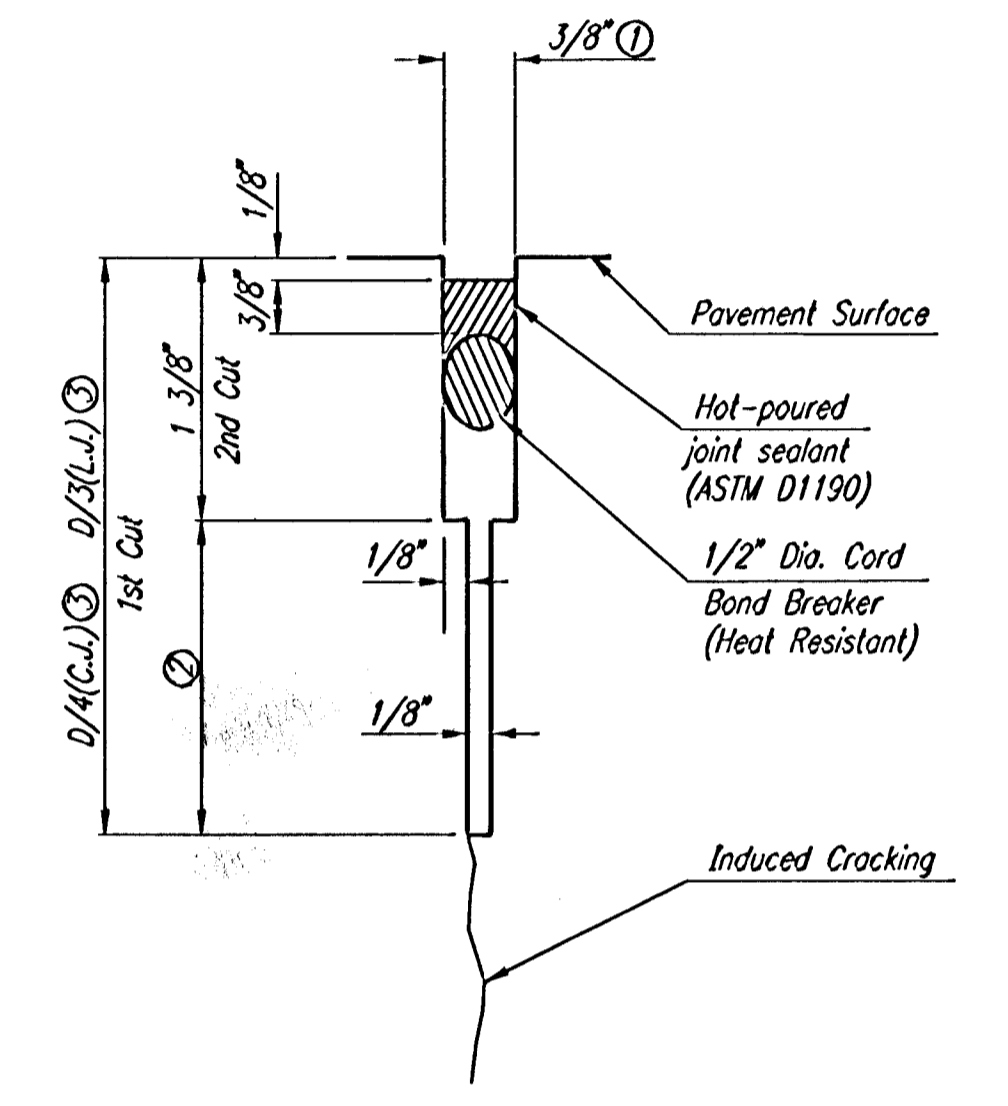
**LONGITUDINAL CONSTRUCTION JOINT DETAIL
REINFORCED PAVEMENT
(TRANSVERSE SECTION)
(ALTERNATE L.J.)**



**CONTRACTION JOINT DETAIL
REINFORCED PAVEMENT
(C.J.)**

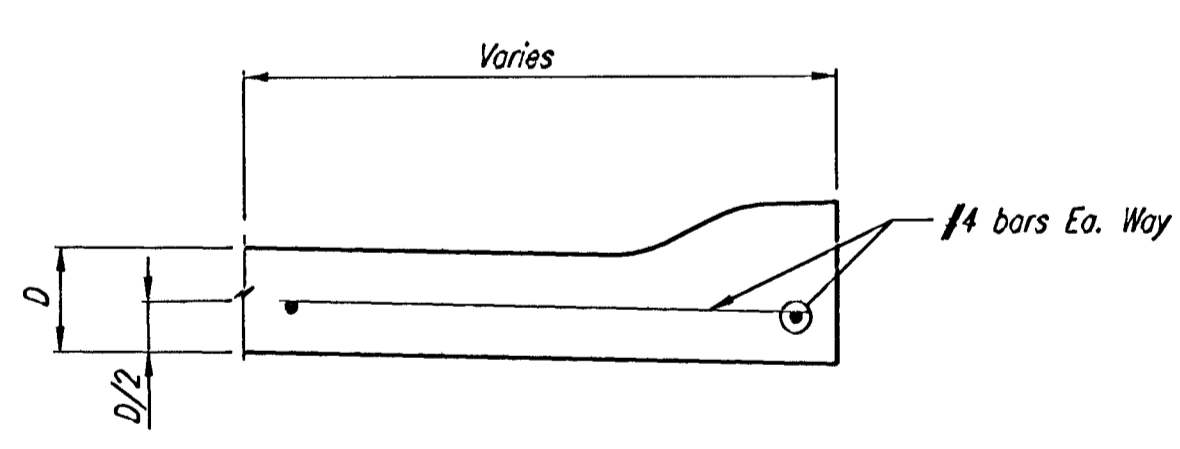


**LONGITUDINAL JOINT DETAIL
REINFORCED PAVEMENT
(TRANSVERSE SECTION)**

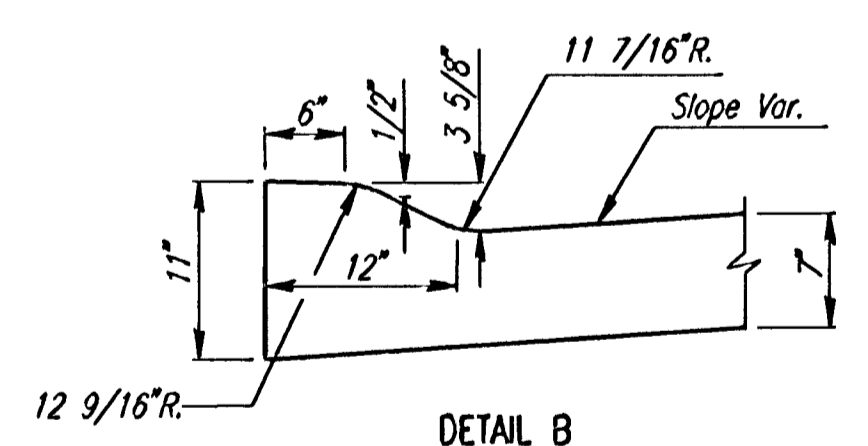


DETAIL A

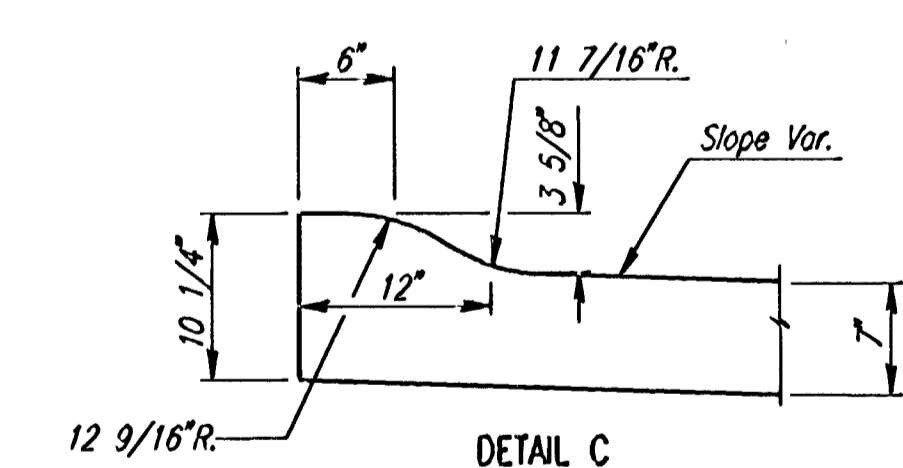
- ① To be accomplished in 2 cuts for Longitudinal Joints and Contraction Joints. Initial cut to be 1/8" wide.
- ② Eliminate bottom of cut when metal keyway is used as part of Longitudinal or Transverse Construction Joint and at Doweled Construction Joint Locations.
- ③ 1 1/2" Minimum



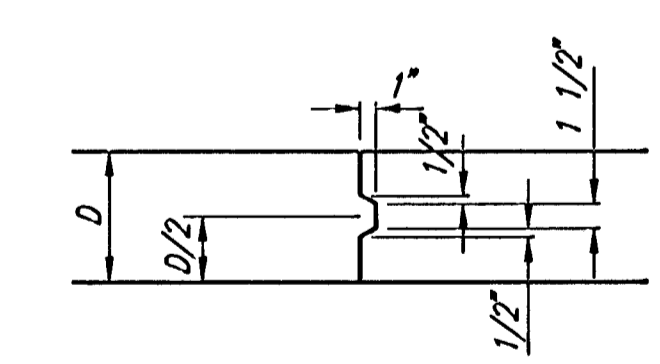
SECTION C-C



**DETAIL B
(ROLL-TYPE CURB)(3 5/8")
MONOLITHIC EDGE CURB**



**DETAIL C
(ROLL-TYPE CURB)(3 5/8")
MEDIAN MONOLITHIC EDGE CURB**



KEYWAY DETAIL

i: 2002/102397/valgutter.dgn
 Date Plotted: Oct. 31 2002
 Deliver to: Bill Saxson

EVERGREEN-PHASE 4
 CITY OF WICHITA, KANSAS
VALLEY GUTTER DETAILS

Professional Engineering Consultants, P.A.
 303 S. TOPEKA • WICHITA, KANSAS 67202
 316-262-2691 • FAX 316-262-3003

Designed by BER	Checked by
Drawn by BJS	Date AUG. 2002
Job No. 02397	