

CONSULTANTS:

143RD STREET IMPROVEMENTS

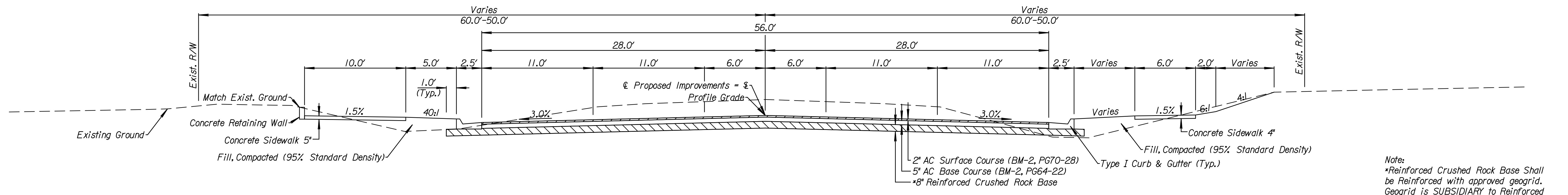
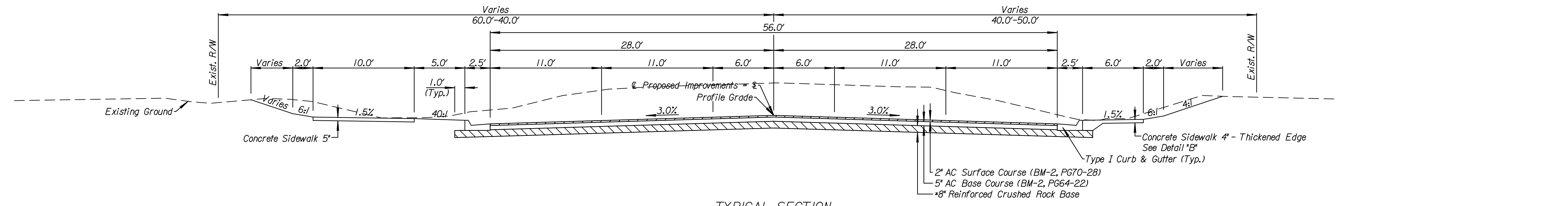
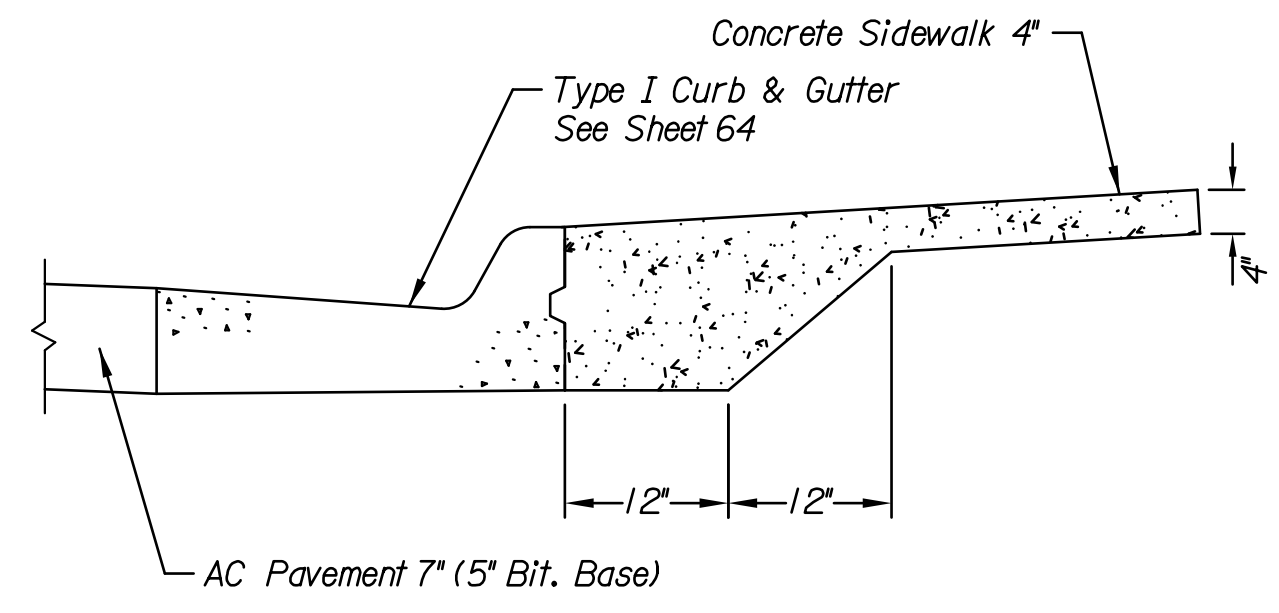
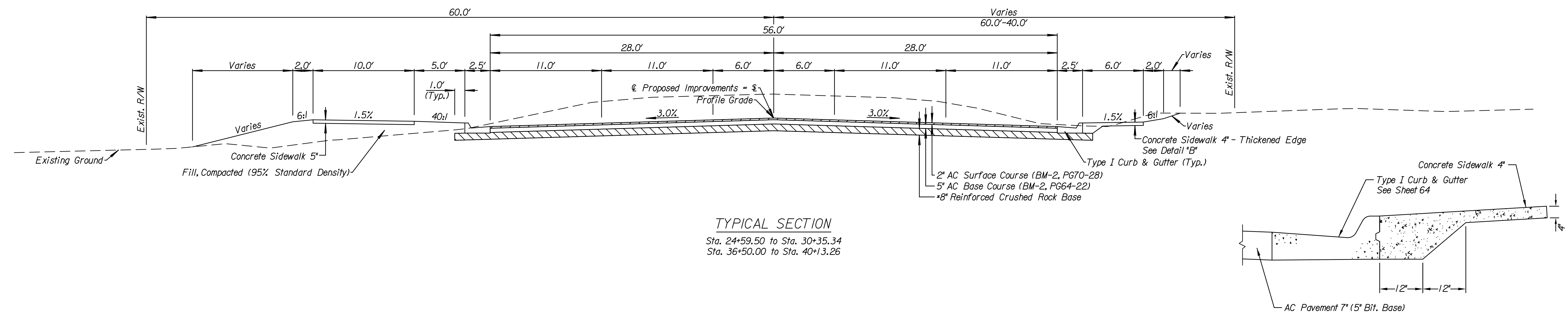


REVISIONS:	MARK	DATE	DESCRIPTION

PROJ NO: 87 N-0614-01
 SCALE: N/A
 DATE: 5/26/2017
 DESIGNED BY: TAU
 DRAWN BY: TAU
 CHECKED BY: MDB

SHEET TITLE:
143RD STREET TYPICAL SECTIONS

SHEET NO.
7
 SHEET 7 OF 236



Note:
 *Reinforced Crushed Rock Base Shall be Reinforced with approved geogrid. Geogrid is SUBSIDIARY to Reinforced Crushed Rock Base Bid Item
 The Sections Shown are Typical. See Plans and Cross Sections for Variations
 For Median Nose Detail, See Sheet 65

11/03/02 AM c:\tran\systems\paw_bocall\transys\paw\taummed\0228400\C-TYP-M01-101.dgn
 taummed
 5/26/2017