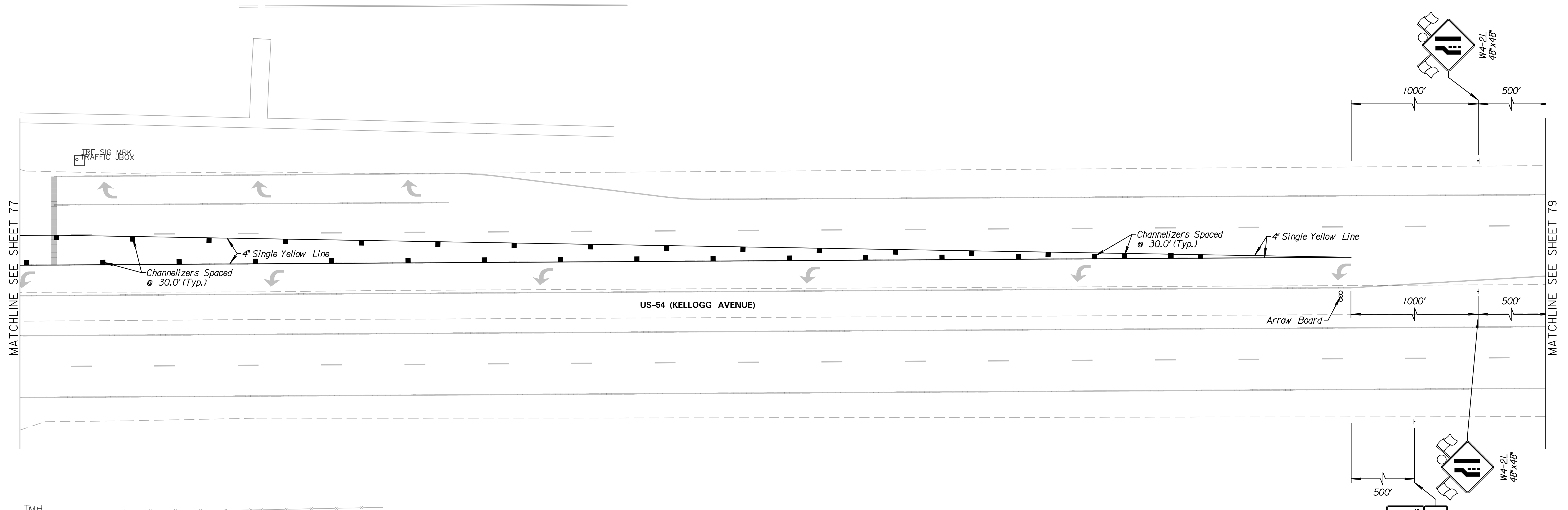
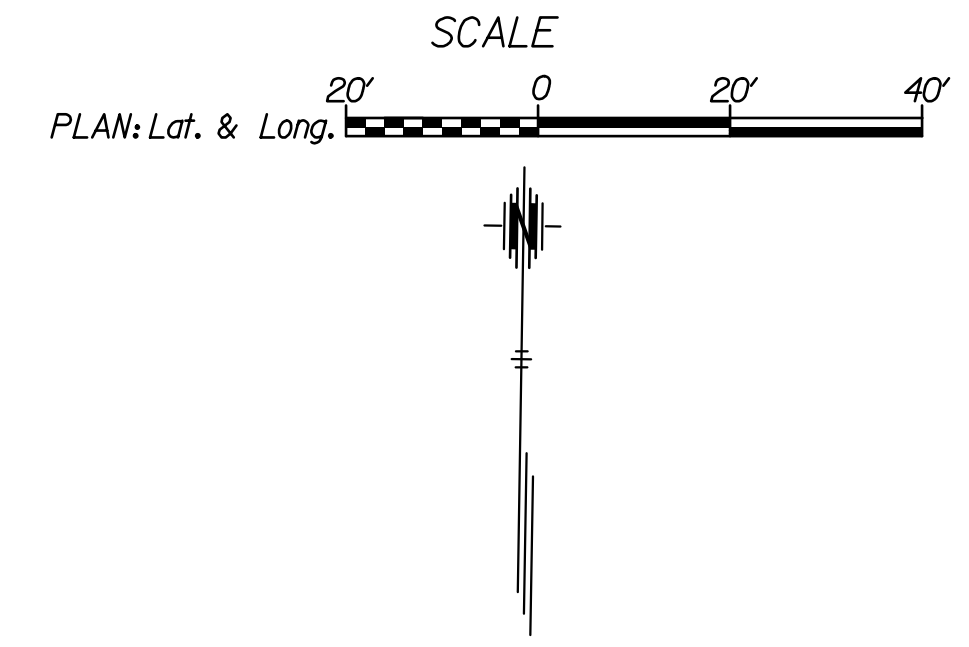


LEGEND

- Phase 1A
- Single Post/Skid Mounted Sign
- Channelizer
- Tubular Marker (36")
- Type III Barricade
- Type III Barricade w/ Sign
- Portable Changeable Message Board
- Pavement Marking Removal



Tran Systems
 245 NORTH WACO
 SUITE 222
 WICHITA, KANSAS 67202
 PHONE: 316-303-3000
 FAX: 316-462-5629

CONSULTANTS:

143RD STREET IMPROVEMENTS
 WICHITA, KANSAS

| REVISIONS: | MARK | DATE | DESCRIPTION |
|------------|------|------|-------------|
| | | | |
| | | | |
| | | | |
| | | | |

PROJ NO: 87 N-0614-01
 SCALE: 1"=20'
 DATE: 5/26/2017
 DESIGNED BY: TAU
 DRAWN BY: TAU
 CHECKED BY: MDB

SHEET TITLE:
143RD STREET IMPROVEMENTS TRAFFIC CONTROL PHASE 1A

SHEET NO.
78

5/26/2017 11:03:38 AM c:\transtrans\systems\paw_bocall\transys\paw\14ummed\0228400C-CPP-M01-216.DGN