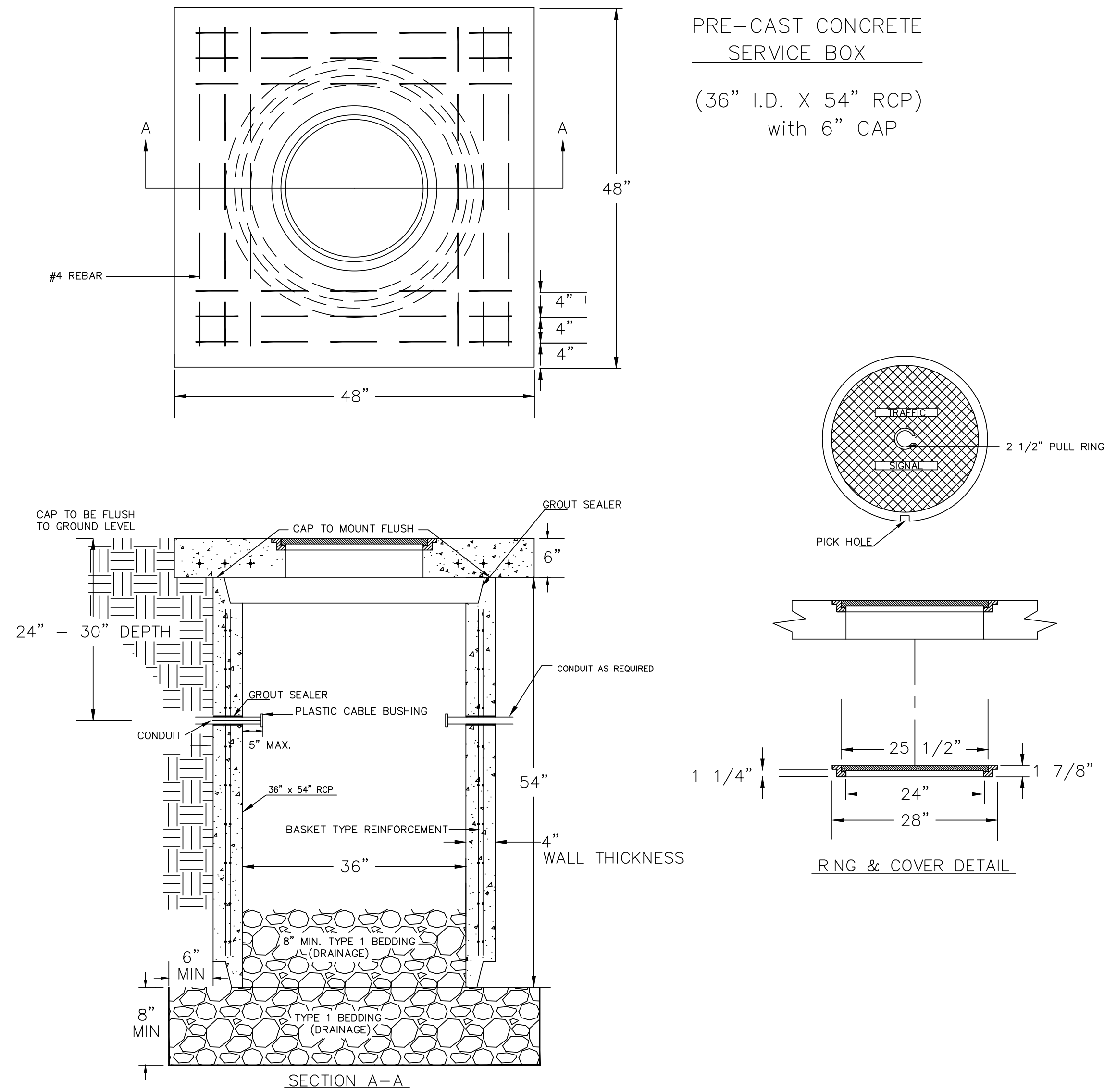
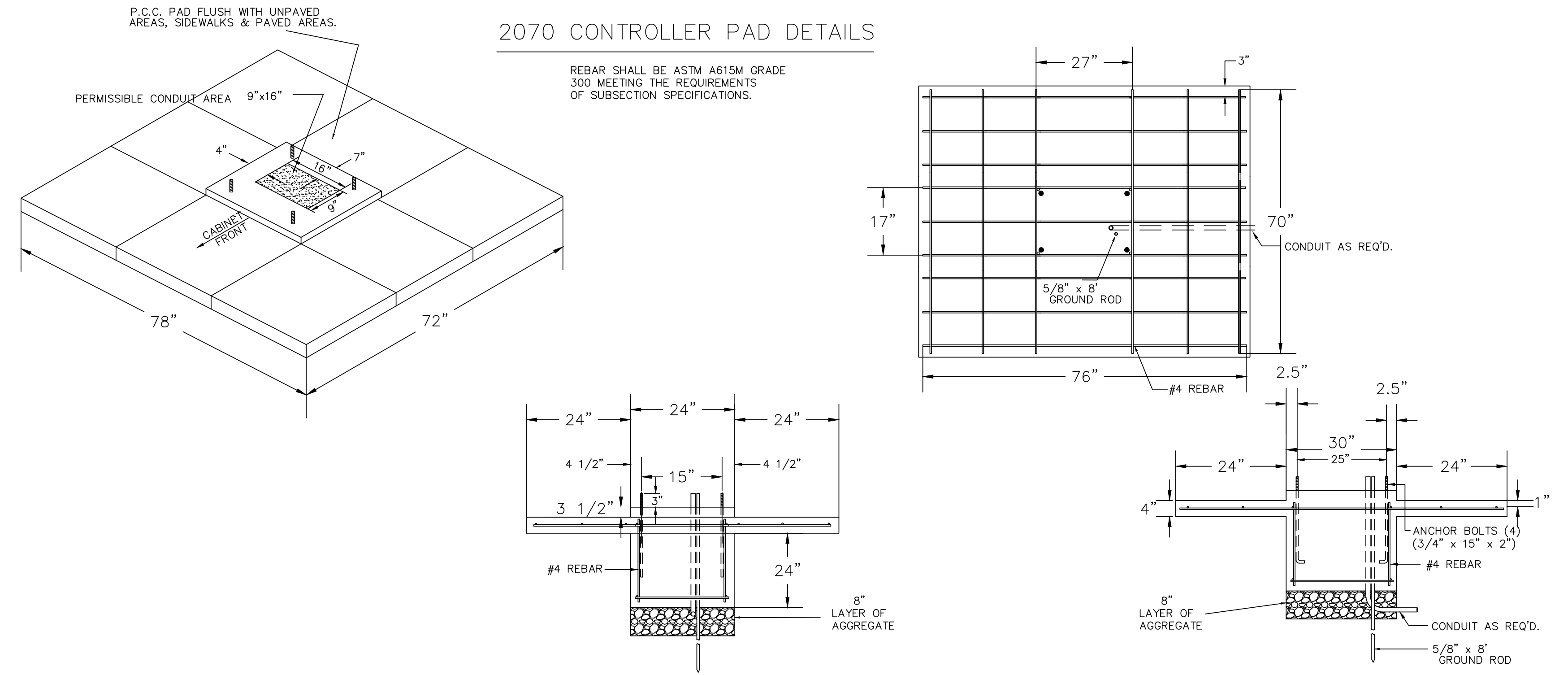


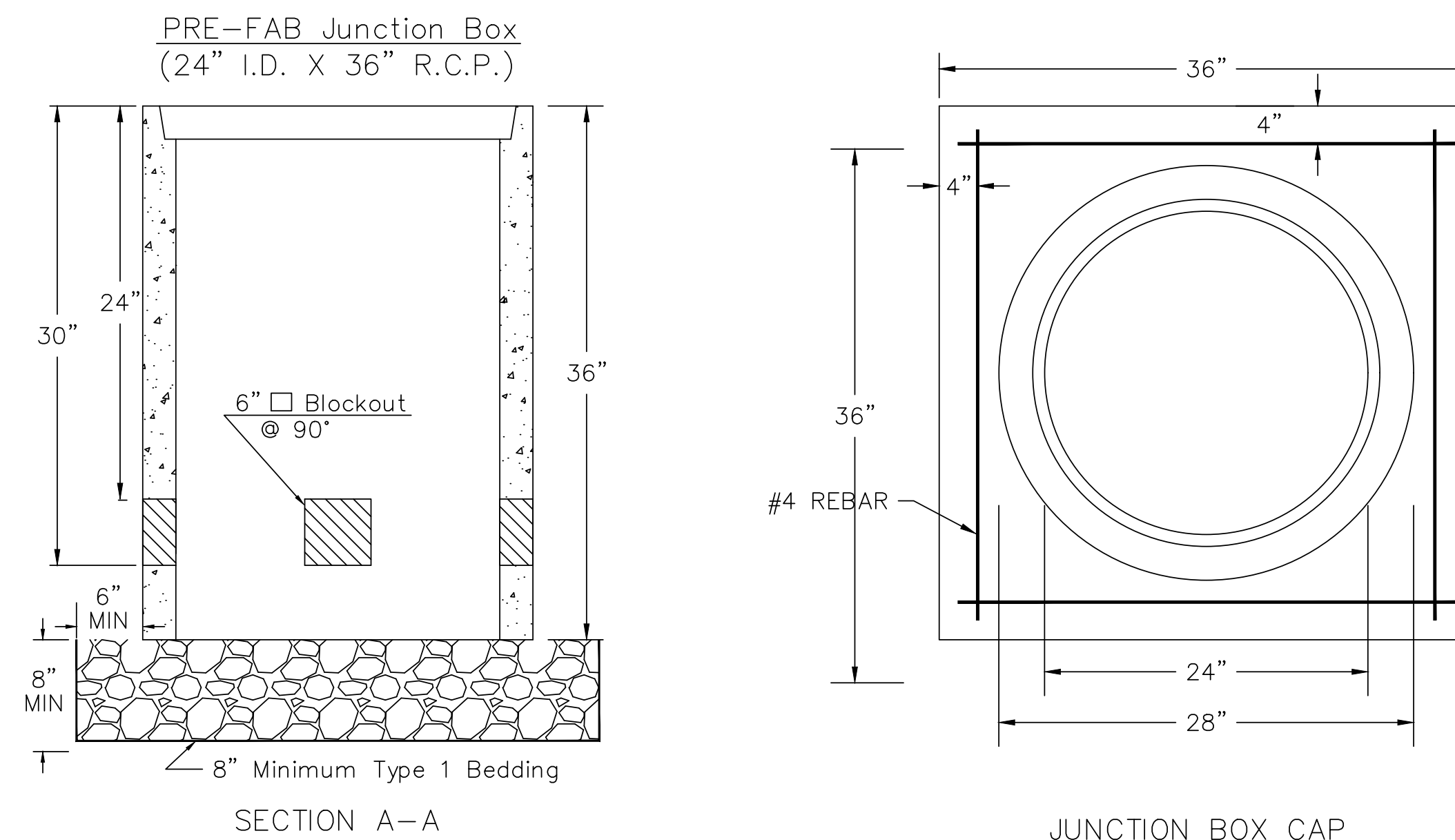
SERVICE BOX CONSTRUCTION/INSTALLATION DETAILS



2070 CONTROLLER PAD DETAILS



JUNCTION BOX DETAILS

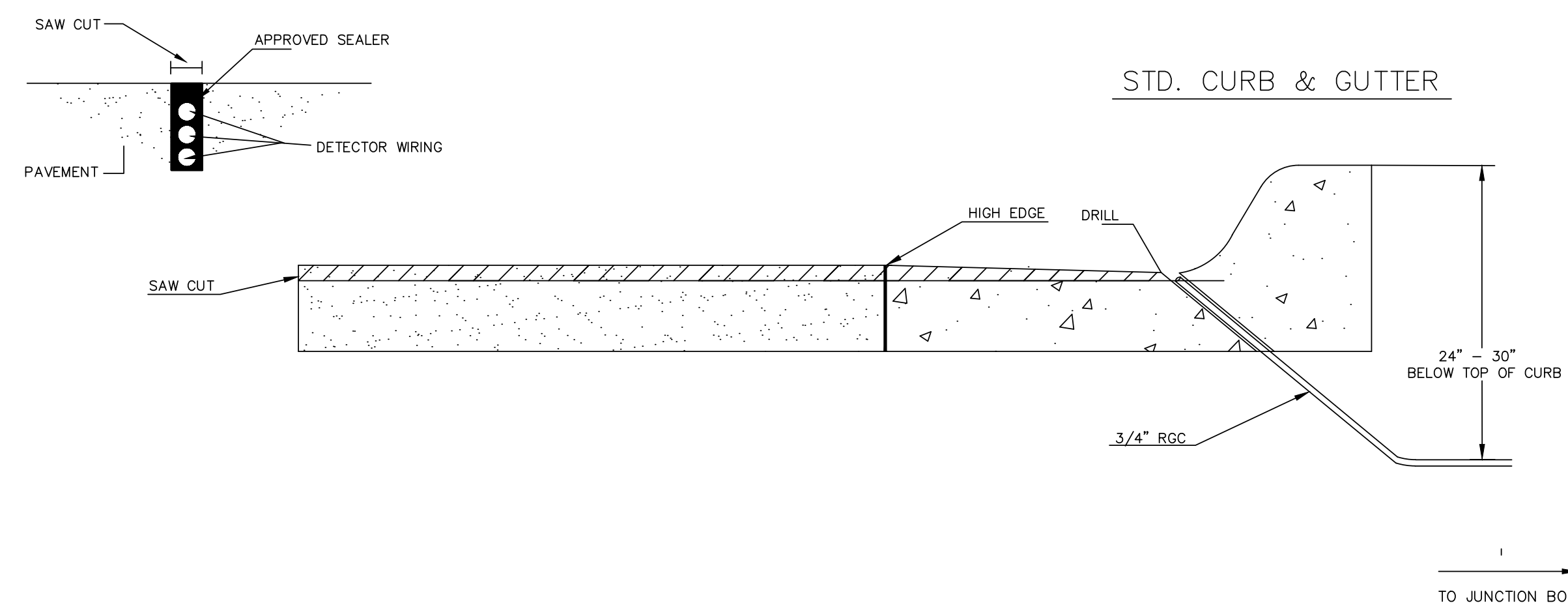


JUNCTION BOX CAP
36" x 36" x 6"
TOP OF CAP TO BE FLUSH WITH GROUND LEVEL.

NOTES:

- SERVICE & JUNCTION BOX:**
- CONDUIT CONNECTION TO BE FLUSH TO WITHIN 5" OF INSIDE FACE OF SIDE WALL, CONDUIT TO DRAIN INTO SERVICE BOX.
 - CONDUIT CONNECTIONS TO SERVICE BOX SHALL BE TERMINATED WITH PLASTIC CABLE BUSHING.
 - CONDUIT SHALL BE SEALED WITH APPROVED SEALER AT INSIDE WALL FACE.
 - ALL SERVICE & JUNCTION BOXES TO HAVE 8" OF CRUSHED ROCK.
No 90 degree elbows unless approved by Traffic Maintenance
- TRENCHING:**
- DEPTH TO BE 30" MINIMUM WITH ROCK & STUBBLE FREE BACKFILL TO SERVE AS BEDDING MATERIAL. MAINTAIN MINIMUM CONDUIT DEPTH IN TRENCH.
 - BACKFILL TO BE COMPACTED IN 6" LOOSE LIFTS BY HAND OR MECHANICAL TAMPING TO A 95% STANDARD DENSITY.
- CONDUIT:**
- SLOPE CONDUIT TO DRAIN AS DIRECTED BY THE ENGINEER.
 - 3" RIGID STEEL CONDUIT BTWN. SERVICE BOXES.
2" " " " BTWN. SERVICE BOX AND POLE.
1 1/4" " " " BTWN. SERVICE & JUNCTION BOXES.
3/4" " " " BTWN. JUNCTION BOXES.
3/4" " " " BTWN. JUNCTION BOX & DETECTOR LOOP SAW CUT
- No 90 degree elbows unless approved by Traffic Maintenance.

CONDUIT/DETECTOR WIRE INSTALLATION DETAILS



**SEE SERVICE BOX INSTALLATION FOR RING & COVER DETAILS.

Sheet 12 of 12 - 12-2015, 12/20/23 AM by CP
 Plot Scale: 1/4" = 1'-0" - 2017 9:46:13 AM by CP
 U:\Wichita-Civil\2015\15554\000\Drawings\15554-000-28C-SERVICE BOX AND CONTROLLER PAD

**SERVICE/JUNCTION BOX,
CONTROLLER PAD
CONSTRUCTION/INSTALLATION**

TRAFFIC ENGINEER
BRIAN COON, P.E.

PROJECT NUMBER 472-85278	OCA NUMBER 707092	DATE
------------------------------------	-----------------------------	------

CITY ENGINEER'S OFFICE
CITY HALL - SEVENTH FLOOR
455 NORTH MAIN STREET
WICHITA, KANSAS 67202-1620
(316) 268-4501

28 of 36