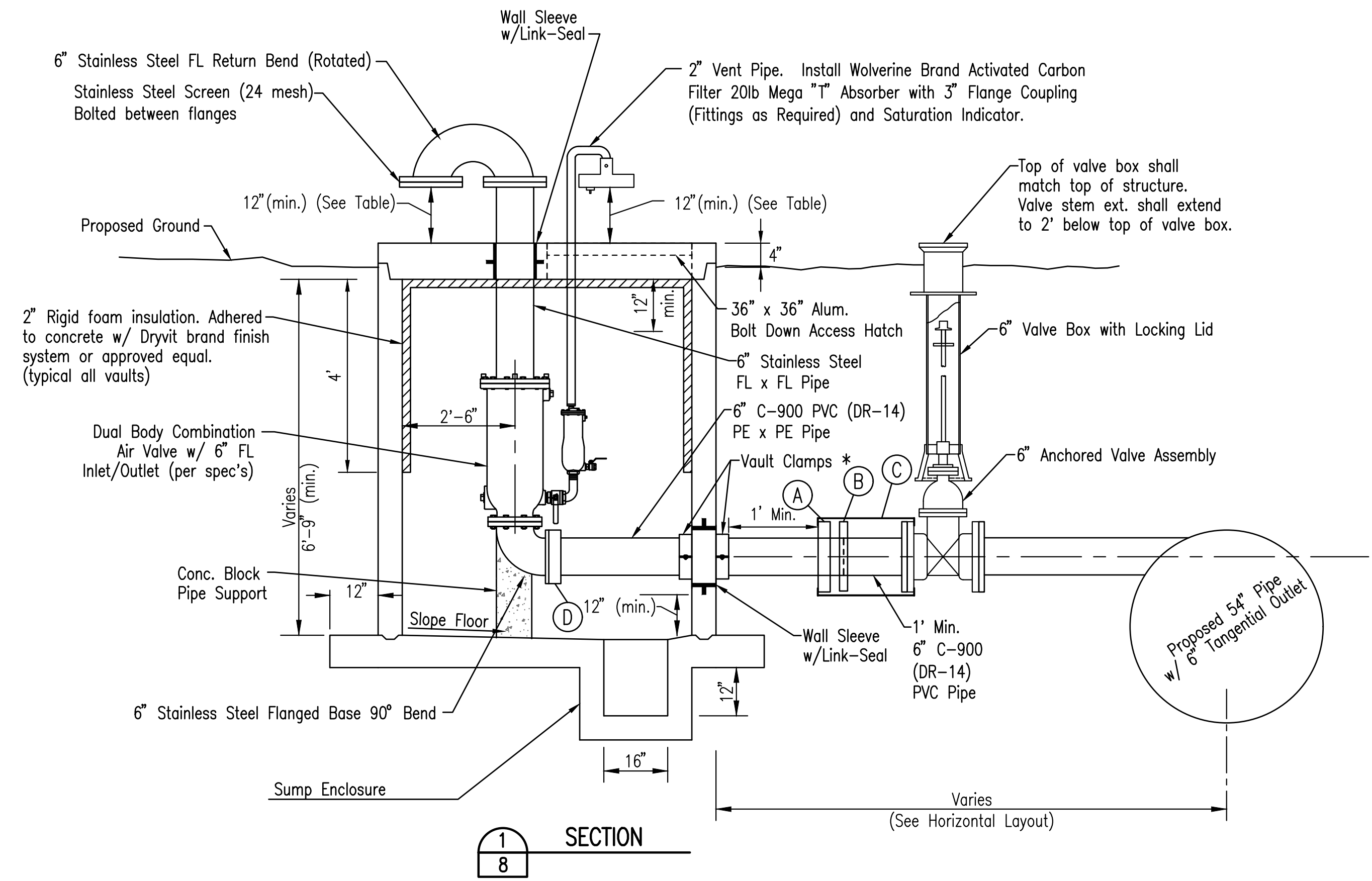
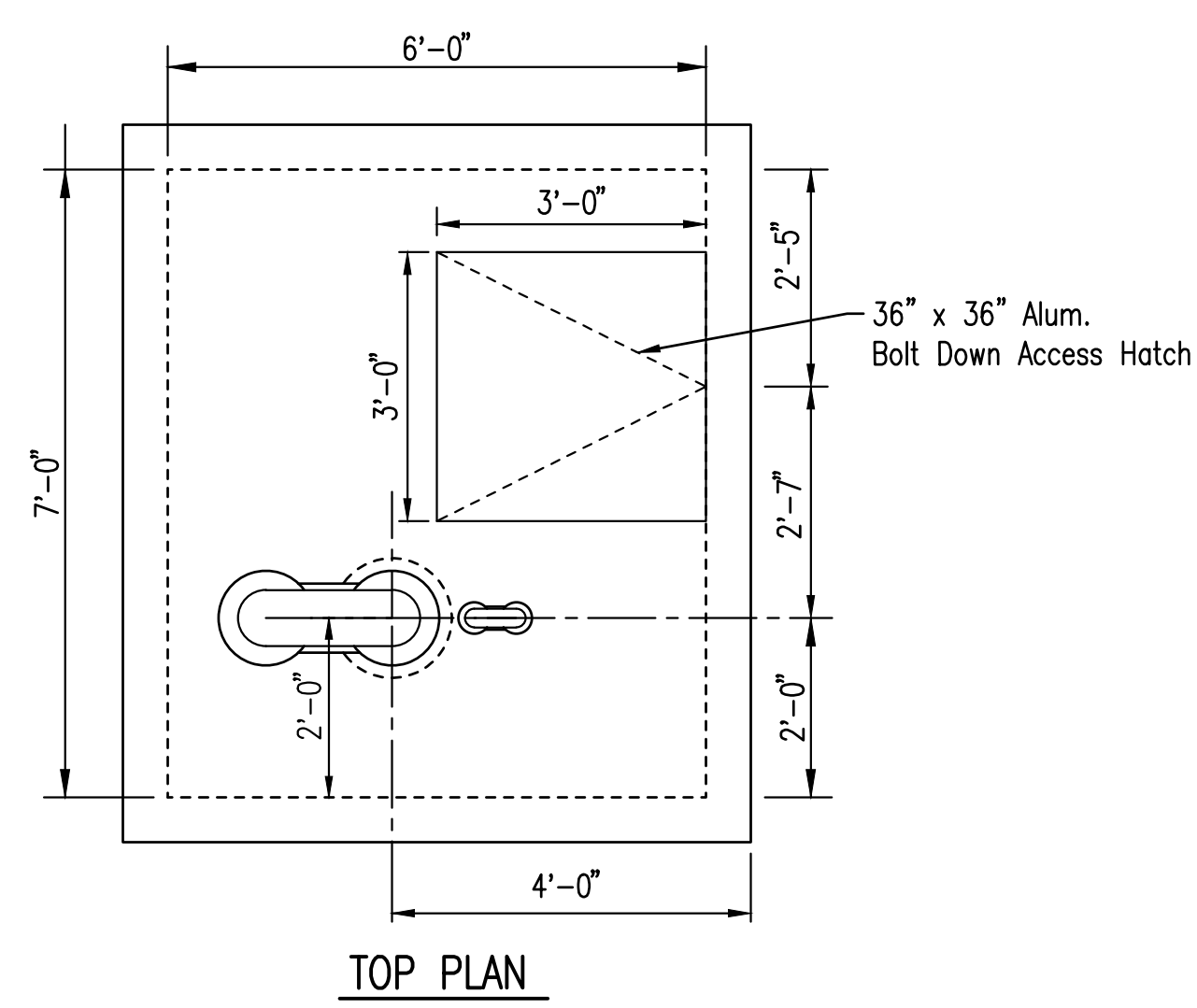


6" Pipe and Fittings as required to connect to Main at specified station. (All pipe and fittings to be an approved restrained joint system.)



### 6" COMBINATION AIR VALVE VAULT

NO SCALE  
 NOTE: PROVIDE A "CONFINED ENTRY SPACE WARNING" SIGN, CHAMPION AMERICAN MODEL 73415HH OR APPROVED EQUAL, FOR VAULT AT LOCATION AS APPROVED BY THE ENGINEER. THE "CONFINED ENTRY SPACE WARNING" SIGN SHALL BE FASTENED TO THE TOP OF ALL VAULTS. IF NECESSARY FOR LANDSCAPING OR SITE CONSIDERATIONS, THE SIGN MAY BE FASTENED TO THE VAULT LID IF IT DOES NOT IMPEDE ACCESS OR AIR FLOW.

THE CONTRACTOR SHALL PROVIDE VERTICAL FITTINGS AS REQUIRED TO MEET THE REQUIREMENTS FOR DEPTH OF THE VAULT SHOWN IN THE DETAIL. THE TOP OF THE 6" PIPING INTO THE VAULT SHALL BE 5' (MIN.) BELOW EXISTING GROUND.

\* MEGALUG OR ONE-LOK MAY BE USED AS VAULT CLAMPS

SEE SHEET SA301 FOR STRUCTURAL DETAILS

THE STRUCTURE SHALL INCLUDE COATINGS AND WATERPROOFING AS OUTLINED IN THE CITY OF WICHITA'S STANDARD SPECIFICATIONS, SPECIAL PROVISIONS, SECTION 804.4 MANHOLE COATINGS AND JOINT WRAPS FOR "PRECAST CONCRETE MANHOLES TYPE "P"

A	Megalug or One-Lok
B	6" Stainless Steel Coupling w/ 1" gap
C	Stainless Steel Tie Rods (per manufacturers recommendations) Sigma, Romac or approved equal
D	Megaflange or Sigmaflange and One-Lok

STATION	PIPE LENGTH TO OUTSIDE OF STRUCTURE	MIN. VENT PIPE ELEV.
46+30.00	7' Lt.	*
76+30.42	7' Rt.	1271.50
93+10.72	7' Rt.	*
139+51.56	7' Rt.	*
175+30.42	7' Rt.	*
200+62.87	7' Rt.	*

\* 12" ABOVE VAULT TOP ELEVATION

Sowed 07-11-2017 9:45:35 AM by KURPIS,DEKAT  
 Plot Scale 1:1 07-17-2017 9:18:43 AM by KURPIS,DEKAT  
 U:\Wichita-Civil\2015\15554\001\Drawings\Phase 2\15554-001-CA320-AIR RELIEF VALVE PLAN & DETAILS

13944

07/17/2017

KANSAS

PROFESSIONAL ENGINEER

No.	Revision	By	Date
<b>WASTEWATER PLANT 2</b> <b>INFLUENT FORCE MAIN - PHASE 2</b> <b>AIR RELIEF VALVE PLAN &amp; DETAILS</b> GARY JANZEN, P.E. - CITY ENGINEER CITY OF WICHITA PROJECT NO. 468-85202			
PROFESSIONAL ENGINEERING CONSULTANTS, P.A. 303 SOUTH TOPEKA WICHITA, KS 67202 316-262-2691 www.pec1.com			
Designed by	MDK, TBK	Job No.	35-15554-1-0042
Drawn by	CSL, KTD	Date	NOVEMBER 2016

Sht. CA320 of 60