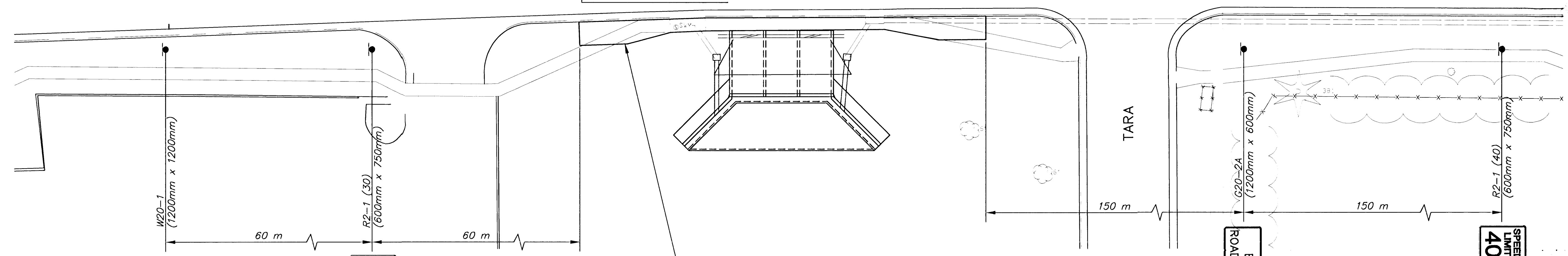
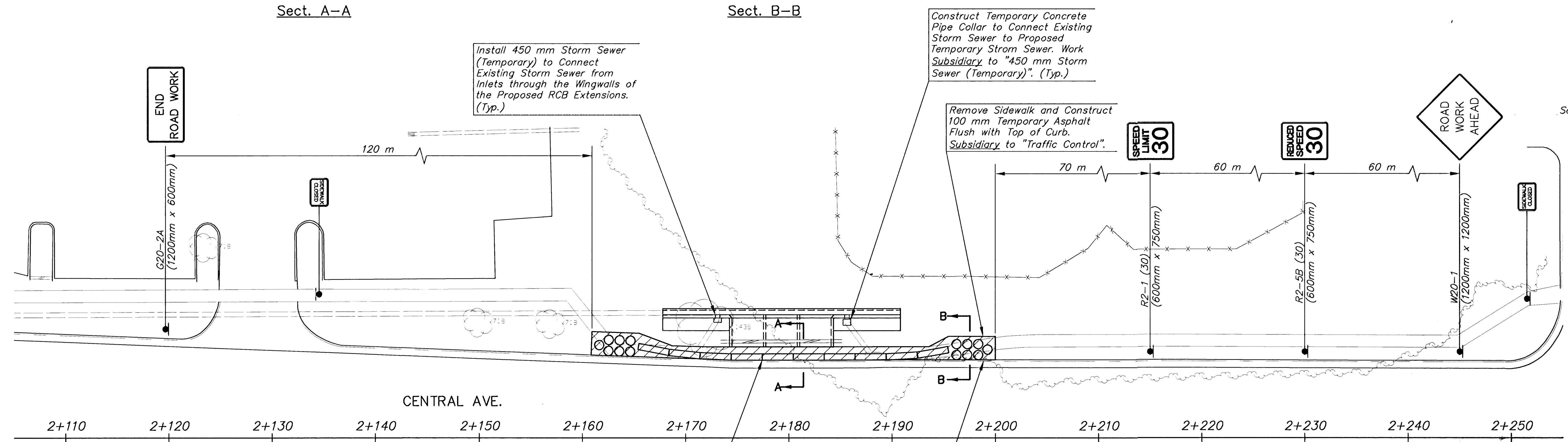
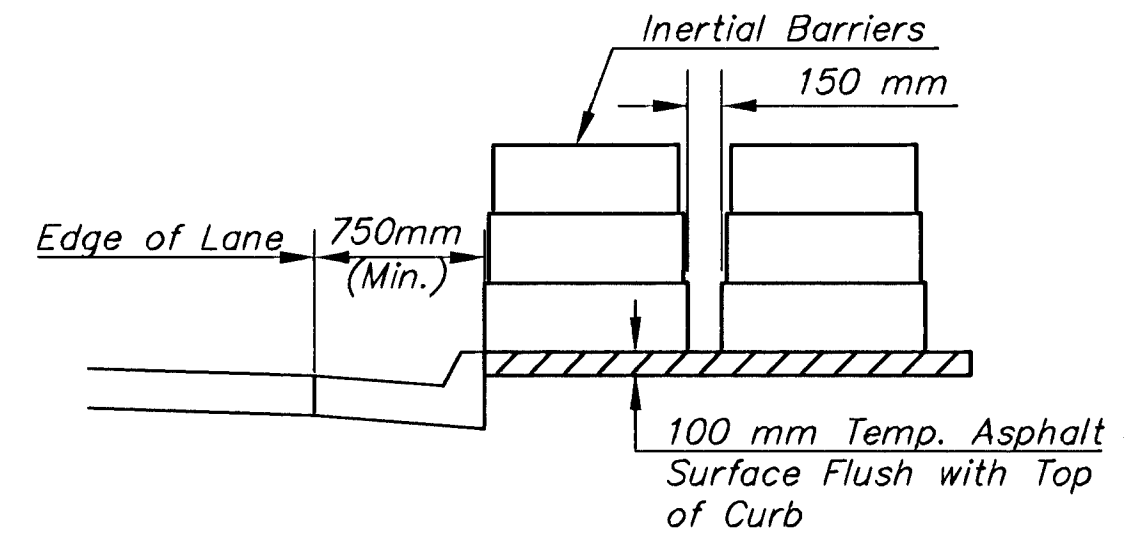
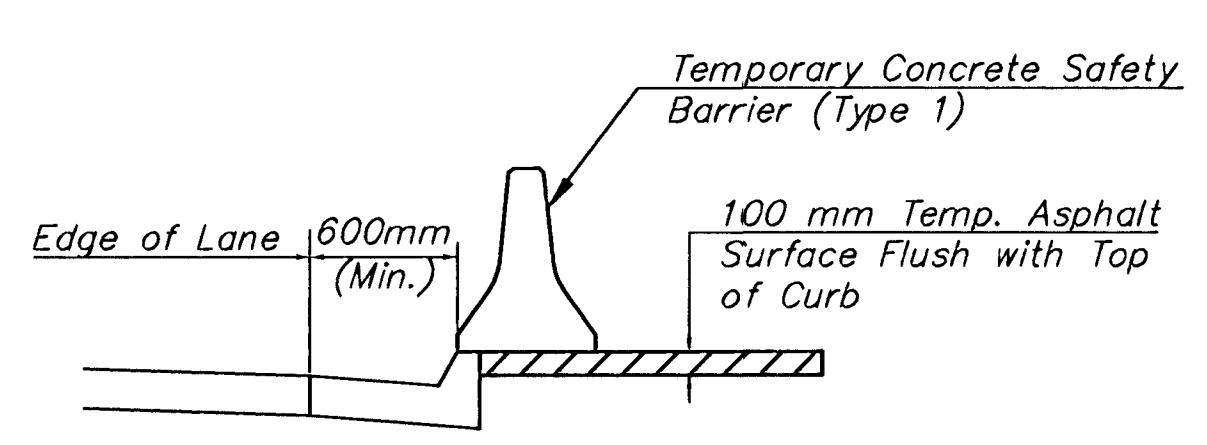


STATE	PROJECT NO.	YEAR	SHEET NO	TOTAL SHEETS
KANSAS	87 N-0203-01	2003	38.002	48

DATE	
BY	
REFERENCES NOTED	
REFERENCES CHECKED	

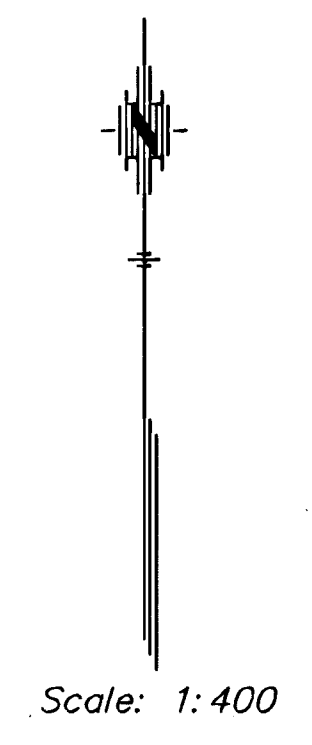


Relocate 30 m of Type 1 Temporary Concrete Safety Barriers See Sh. No. 38.003

Relocate Inertial Barrier at each end See Sh. No. 38.004

Keep temporary asphalt in place. Provide flush transition with existing sidewalk

Note:  
Two additional "Sidewalk Closed Ahead" signs shall be placed as directed by the Engineer.



NO.	DATE	REVISIONS	BY	APP'D
2				
1				

KANSAS DEPARTMENT OF TRANSPORTATION

PHASE II  
TRAFFIC CONTROL PLAN

PROJ. NO. 87 N-0203-01 SEDGWICK CO.

MID-KANSAS ENGINEERING CONSULTANTS, INC.  
WICHITA, KANSAS

DESIGNED BY: JRA CHECKED BY: KJS  
DRAWN BY: WNU DATE: 09/2003 SHEET 38.002 OF 48