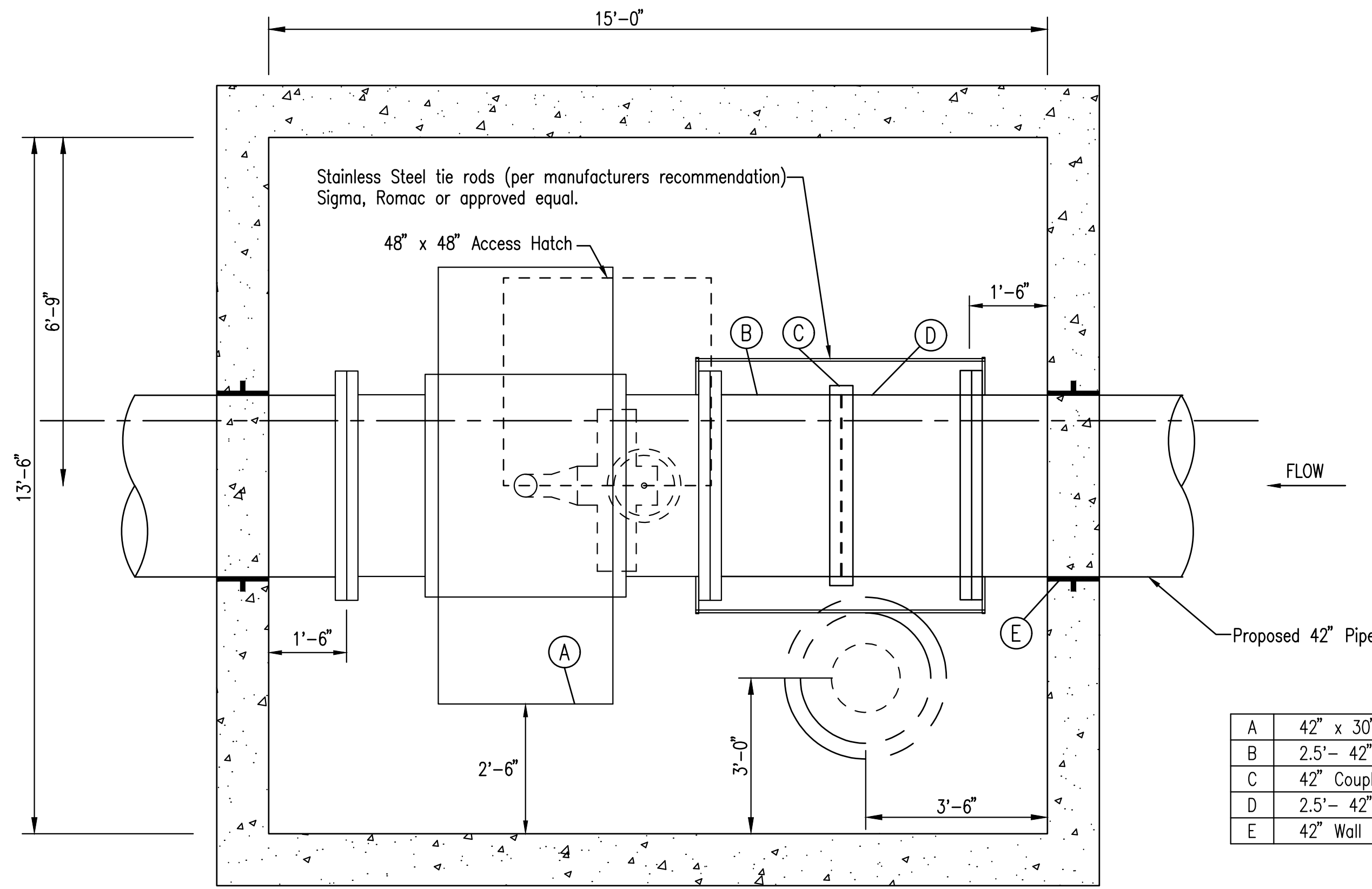


TOP

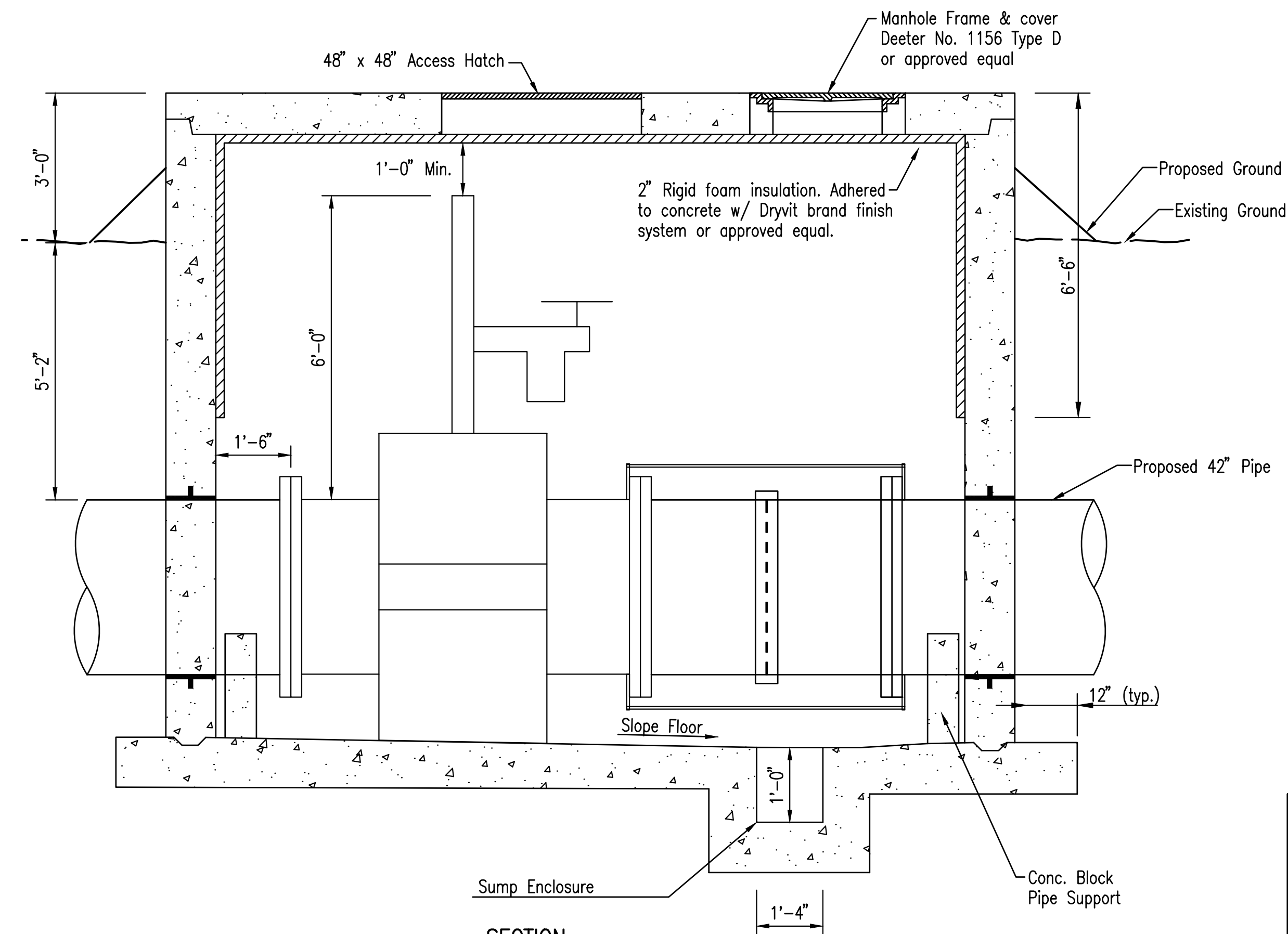
Lifting System to be Dayton/Superior Concrete Accessories P-series Lift System (including Recess Plugs) or approved equal. Rated Load = 8 Tons Material : Stainless Steel 7" Embedment.

Manhole Frame & cover Deeter No. 1156 Type D or approved equal



PLAN

A	42" x 30" Cone Sleeve Pinch Valve
B	2.5'- 42" Spool (PE x FL)
C	42" Coupling w/ 1" Gap (Stainless Steel Style 38 by Dresser, armor seal by Romac, or approved equal)
D	2.5'- 42" Spool (PE x FL)
E	42" Wall Sleeve w/ Link-Seal



SECTION
PINCH VALVE VAULT DETAIL

SCALE 1" = 2'


NOTE: PROVIDE A "CONFINED ENTRY SPACE WARNING" SIGN, CHAMPION AMERICAN MODEL 73415HH OR APPROVED EQUAL, FOR VAULT AT LOCATION AS APPROVED BY THE ENGINEER. THE "CONFINED ENTRY SPACE WARNING" SIGN SHALL BE FASTENED TO THE TOP OF ALL VAULTS. IF NECESSARY FOR LANDSCAPING OR SITE CONSIDERATIONS, THE SIGN MAY BE FASTENED TO THE VAULT LID IF IT DOES NOT IMPEDE ACCESS.

THE STRUCTURE JOINTS SHALL BE SEALED IN ACCORDANCE WITH CITY OF WICHITA STANDARD SPECIFICATIONS FOR PRECAST MANHOLES. NO COATINGS ARE REQUIRED.

THE CONTRACTOR SHALL UTILIZE RESTRAINED JOINT PIPE AND TIE RODS TO RESTRAIN ALL PIPING AT THE VALVE LOCATIONS..

SEE SHEET NO. SA302 FOR STRUCTURAL DETAILS.

SAVED: 07-11-2017 10:29:20 AM by KURTIS DEKAT
 Plot Scale: 1:1 07-17-2017 9:18:55 AM by KURTIS DEKAT
 U:\Wichita-Civil\2015\15554\001\Drawings\Phase 2\15554-001-CX32-CONTROL VALVE VAULT DETAIL

No.	Revision	By	Date
WASTEWATER PLANT 2 INFLUENT FORCE MAIN - PHASE 2 CONTROL VALVE VAULT DETAIL GARY JANZEN, P.E. - CITY ENGINEER CITY OF WICHITA PROJECT NO. 468-85202			
 PEC PROFESSIONAL ENGINEERING CONSULTANTS, P.A. 303 SOUTH TOPEKA WICHITA, KS 67202 316-262-2691 www.pec1.com			
Designed by	MDK, TBK	Job No.	35-15554-1-0042
Drawn by	CSL, KTD	Date	NOVEMBER 2016
			Sht. CA322 of 60