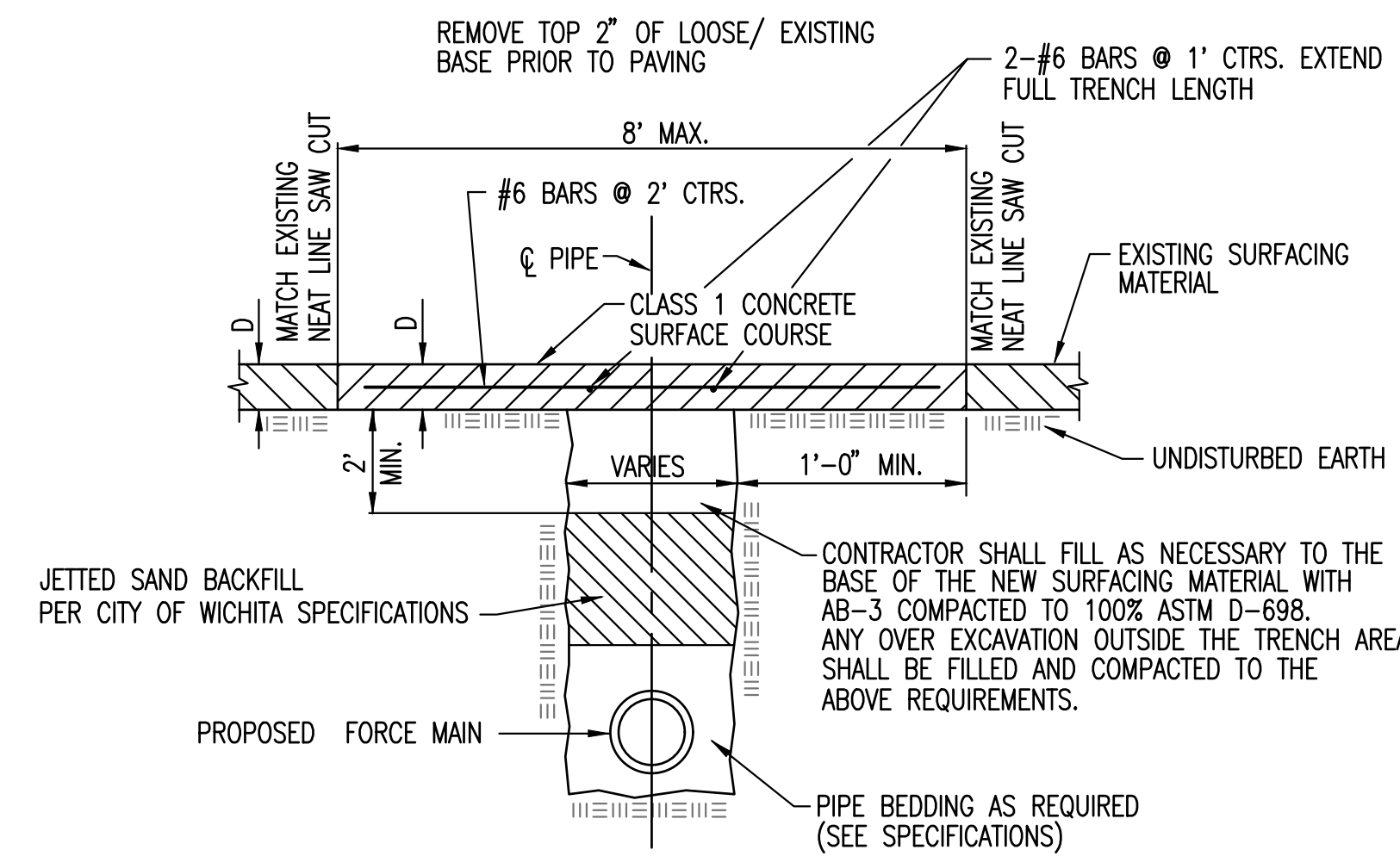
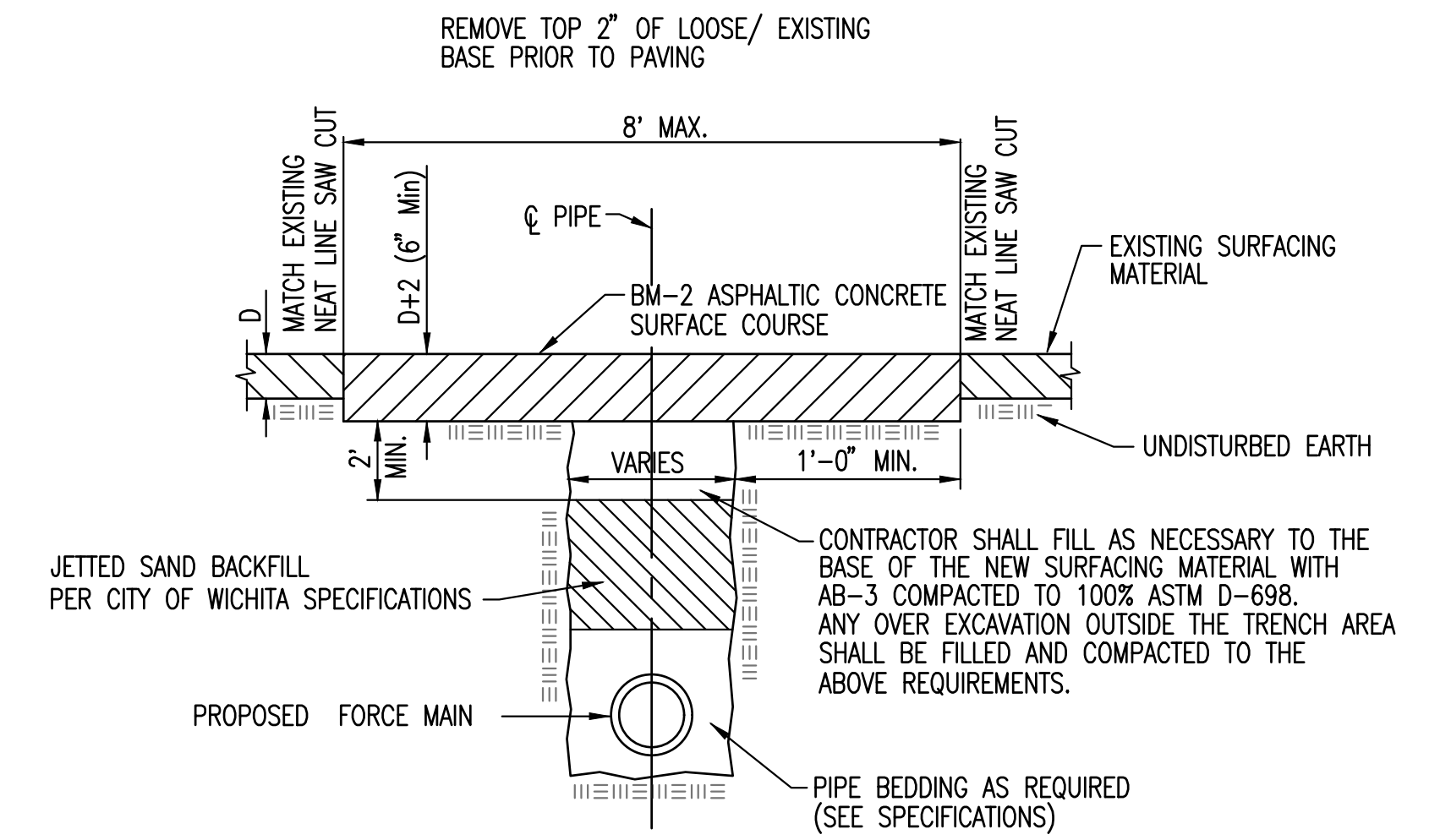


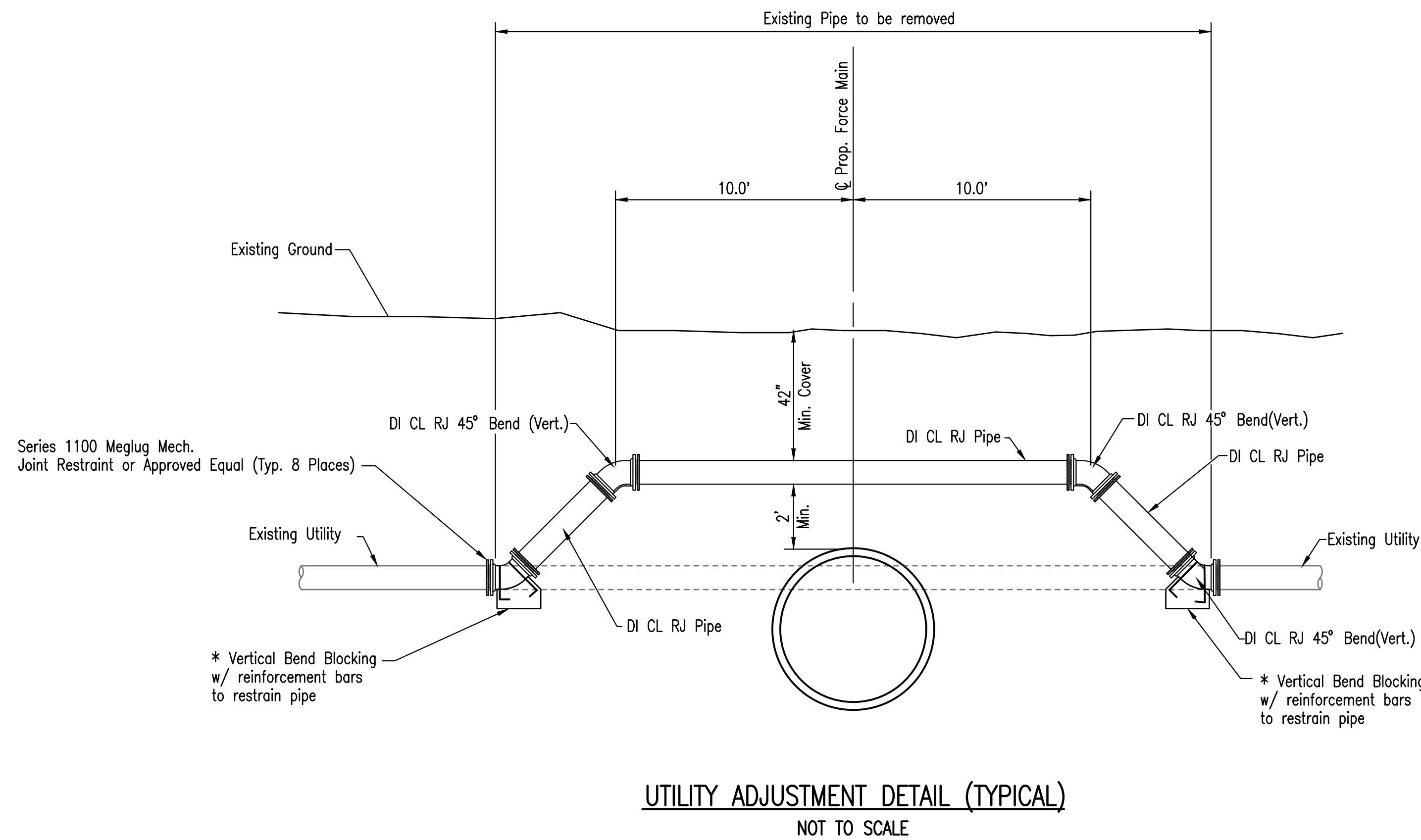
GRAVEL ROAD OR DRIVE REMOVAL AND REPLACEMENT DETAIL



CONCRETE PAVEMENT REMOVAL AND REPLACEMENT DETAIL

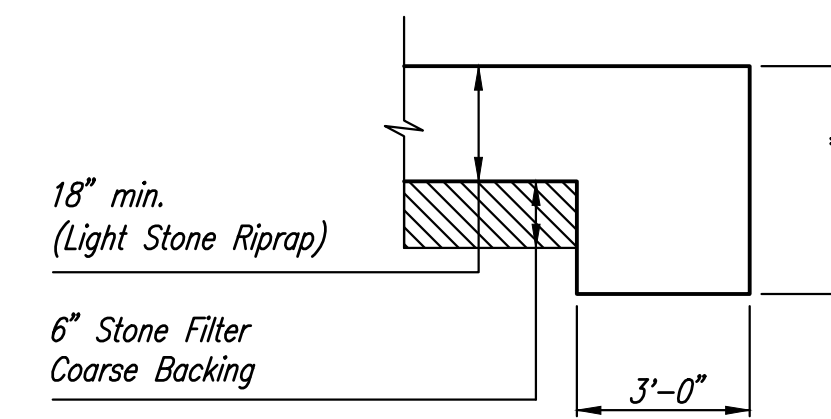


ASPHALT DRIVE OR PAVEMENT REMOVAL AND REPLACEMENT DETAIL



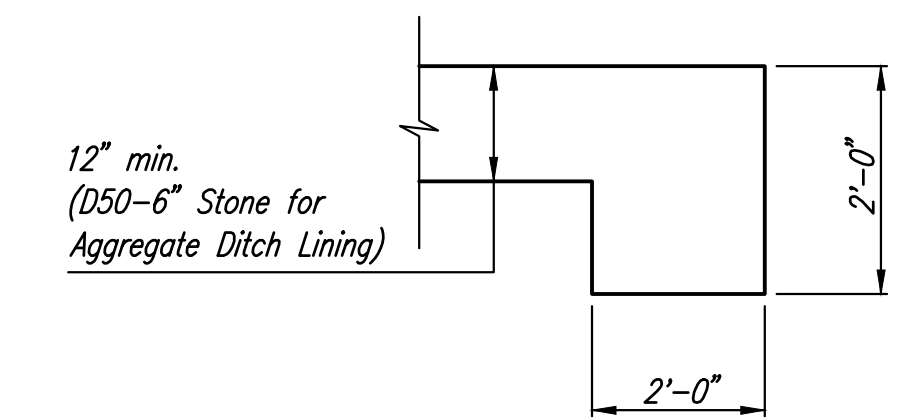
UTILITY ADJUSTMENT DETAIL (TYPICAL)
NOT TO SCALE

* Reference City of Wichita Miscellaneous Water Details, WL104 (<http://www.wichita.gov/PMU/Pages/Regulations.aspx>).



TYPICAL SECTION THRU TOEWALL
NO SCALE

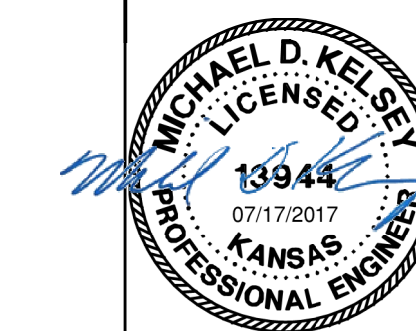
- NOTES**
1. ALL RIPRAP FOR THIS PROJECT SHALL BE NATURAL STONE MEETING THE CITY OF WICHITA SPECIFICATIONS.
 2. TOEWALLS SHALL BE INSTALLED ALONG ALL EDGES OF STONE RIPRAP.
 3. GROUTING OF THE TOEWALLS SHALL BE PERFORMED PER CITY OF WICHITA SPECIFICATIONS.



LOW WATER CROSSING-TYPICAL SECTION THRU TOEWALL
NO SCALE

- NOTES**
1. ALL DITCH LINING FOR THIS PROJECT SHALL BE NATURAL STONE MEETING THE CITY OF WICHITA SPECIFICATIONS.
 2. TOEWALLS SHALL BE INSTALLED ALONG ALL EDGES OF STONE RIPRAP.
 3. GROUTING OF THE TOEWALLS SHALL BE PERFORMED PER CITY OF WICHITA SPECIFICATIONS.
 4. THE TOP OF THE AGGREGATE LAYER SHALL BE FLUSH WITH EXISTING GROUND OR LOWER AS SHOWN IN THE PROFILE.

Saved: 07-11-2017 11:43:46 AM by KURTIS DEKAT
 Plot Scale: 1:1 07-17-2017 9:19:11 AM by KURTIS DEKAT
 U:\Wichita-Civil\2015\15554\001\Drawings\Phase 2\15554-001-CX324-MISCELLANEOUS DETAILS



| No. | Revision | By | Date |
|---|----------|---------|-----------------|
| WASTEWATER PLANT 2 INFLUENT FORCE MAIN - PHASE 2 MISCELLANEOUS DETAILS GARY JANZEN, P.E. - CITY ENGINEER CITY OF WICHITA PROJECT NO. 468-85202 | | | |
| PEC PROFESSIONAL ENGINEERING CONSULTANTS, P.A. 303 SOUTH TOPEKA WICHITA, KS 67202 316-262-2691 www.pec1.com | | | |
| Designed by | MDK, TBK | Job No. | 35-15554-1-0042 |
| Drawn by | CSL, KTD | Date | NOVEMBER 2016 |