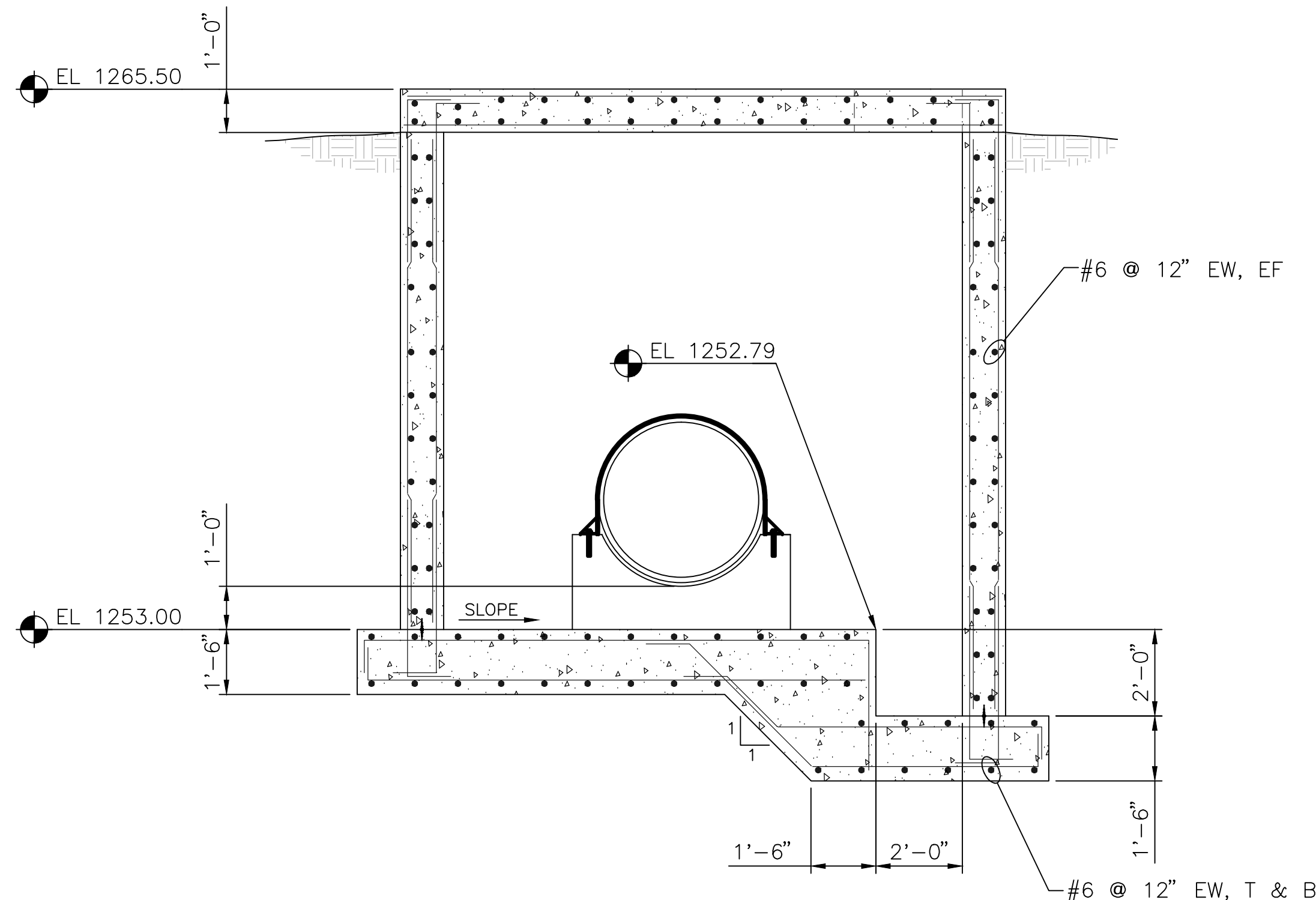
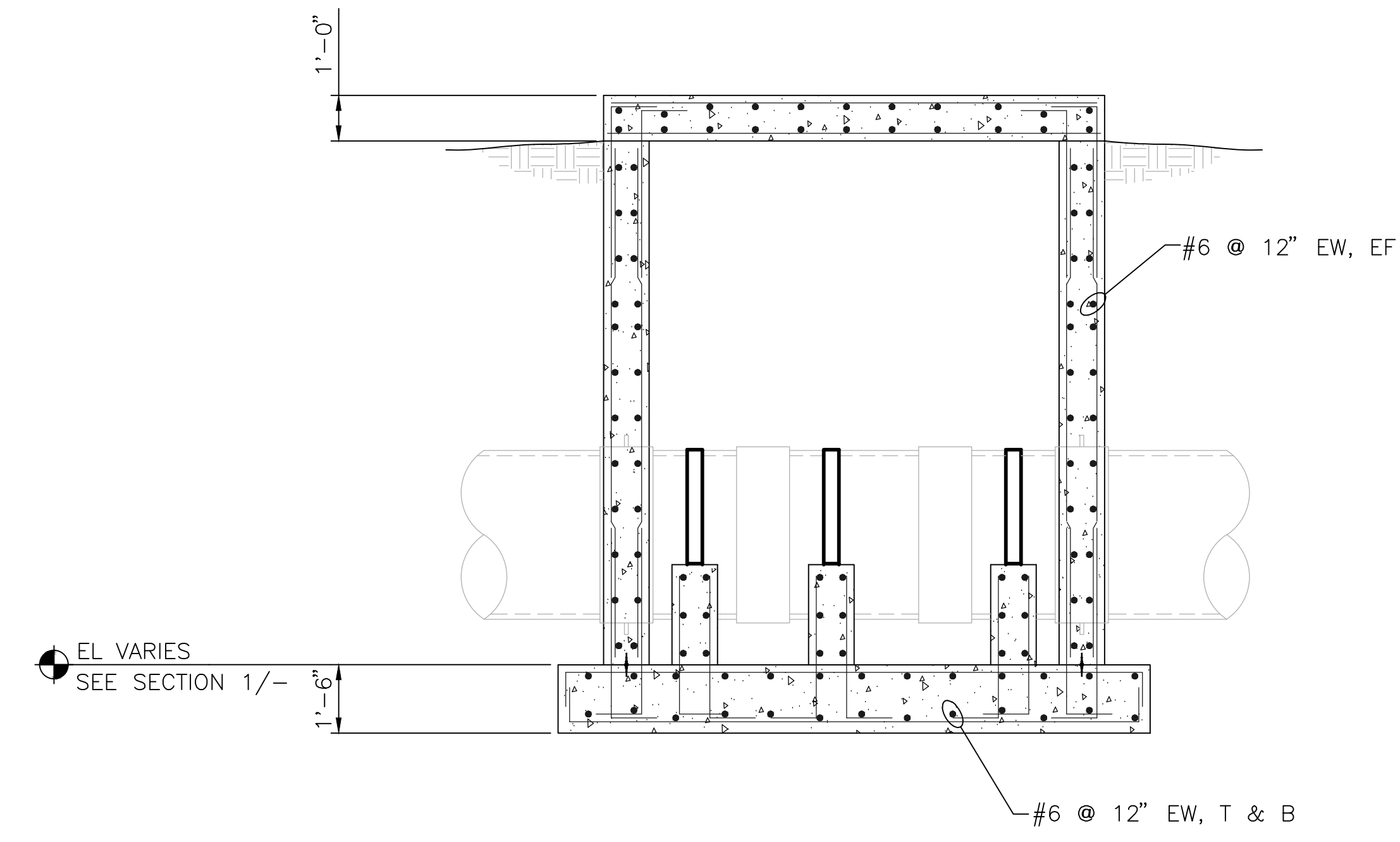


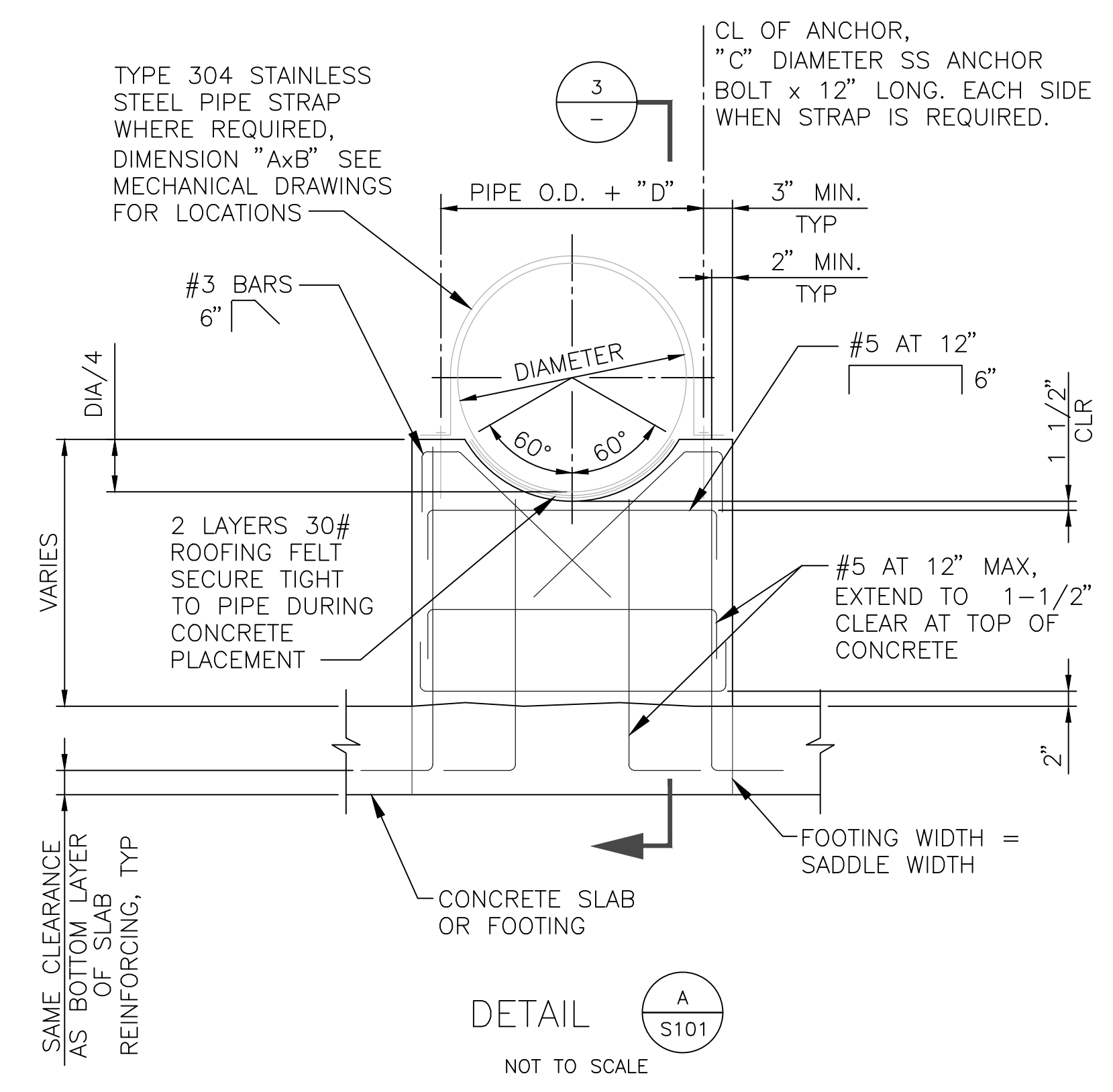
Sowed: 07-07-2017 8:50:51 AM by EDESQUIZA
 Plot Scale: 1:1 07-07-2017 10:43:49 AM by KURJIS,DEBART
 P:\Data\GEN\Wichita\149326_66-inch Foreman Design\DAO\2-Sheets\Structural\PHASE 2-METER VAULT\149326S-10002



SECTION 1
S101
SCALE: 3/8" = 1'-0"

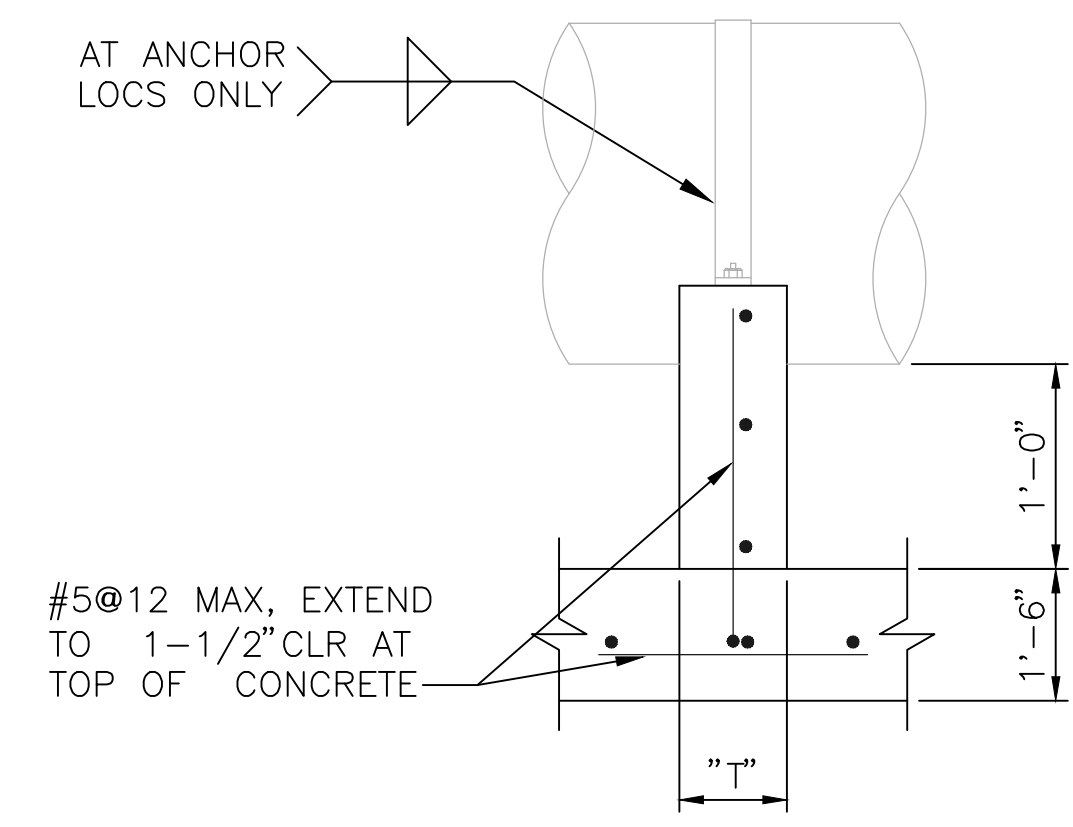


SECTION 2
S101
SCALE: 3/8" = 1'-0"



DETAIL A
S101
NOT TO SCALE

PIPE SIZE	DIMENSIONS					MAXIMUM SPACING*
	A	B	C	D	T	
6"-12"	1/4"	2"	3/4"	3"	8"	8'-0"
14"-18"	1/4"	4"	3/4"	3"	8"	10'-0"
20"-36"	3/8"	5"	3/4"	3"	10"	10'-0"
42"-54"	3/8"	6"	1"	4"	12"	10'-0"
60"-72"	3/8"	6"	1 1/8"	4"	16"	12'-0"



SECTION 3
NO SCALE

- CONCRETE PIPE SADDLE NOTES:
- FOR "T" GREATER THAN 10 INCHES USE 2 LAYERS OF VERTICAL REINFORCING, TURN HORIZONTAL BARS 90 DEGREES TO HOOK
 - MAXIMUM SUPPORT SPACING MAY BE LIMITED BY SOIL BEARING CAPACITY. SEE PLANS FOR SUPPORT LOCATIONS.

90 PERCENT CLIENT REVIEW SUBMITTAL NOT FOR CONSTRUCTION



No.	Revision	By	Date
WASTEWATER PLANT 2 INFLUENT FORCE MAIN - PHASE 2 METER VAULT-STRUCTURAL SECTIONS GARY JANZEN, P.E. - CITY ENGINEER CITY OF WICHITA PROJECT NO. 468-85118			
		PROFESSIONAL ENGINEERING CONSULTANTS, P.A. 303 SOUTH TOPEKA WICHITA, KS 67202 316-262-2691 www.pec1.com	
Designed by	J. SIMON	Job No.	35-15554-1-0042
Drawn by	R. BLUMENSHINE	Date	JULY 2017
			Sht.SA102 of 60