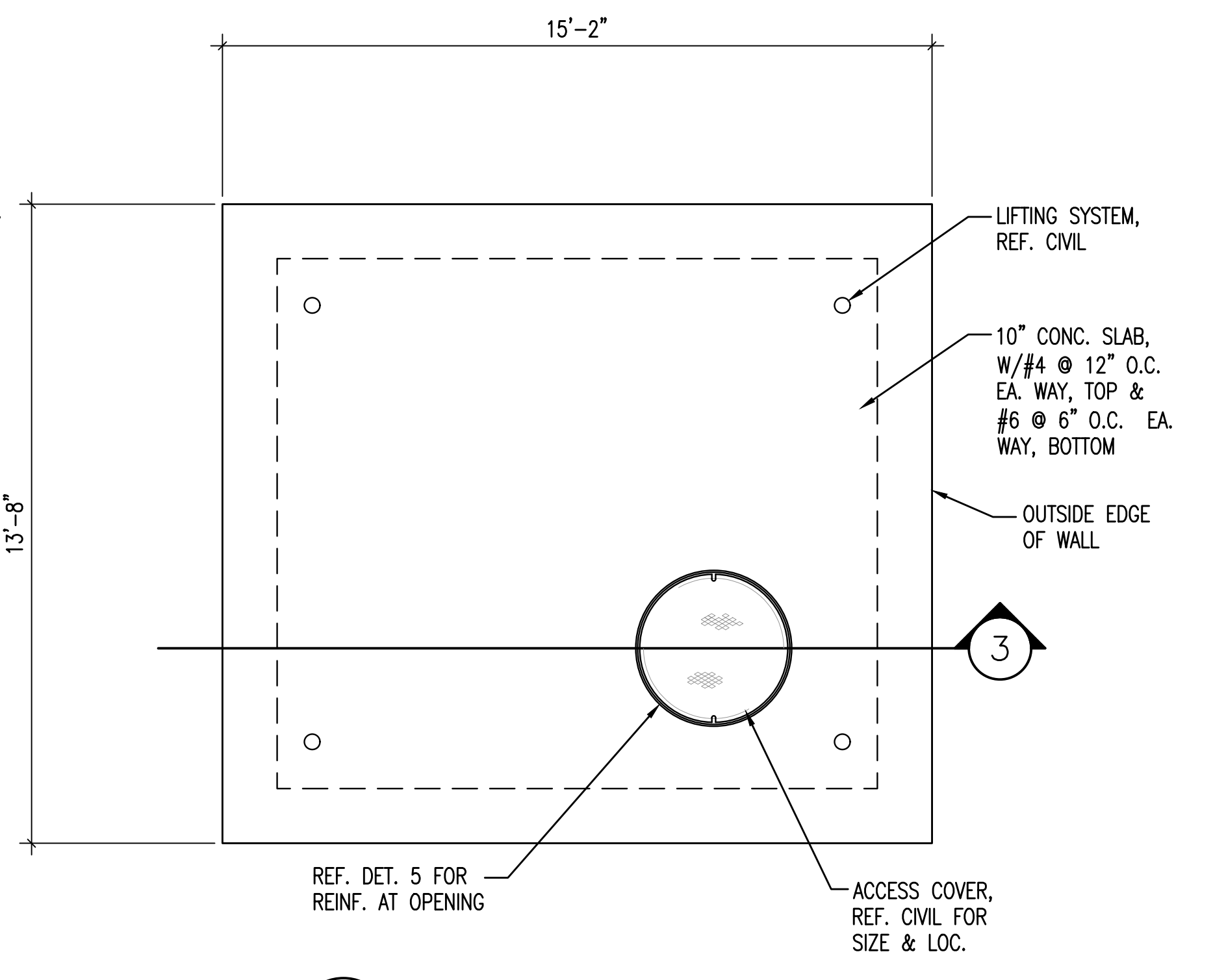
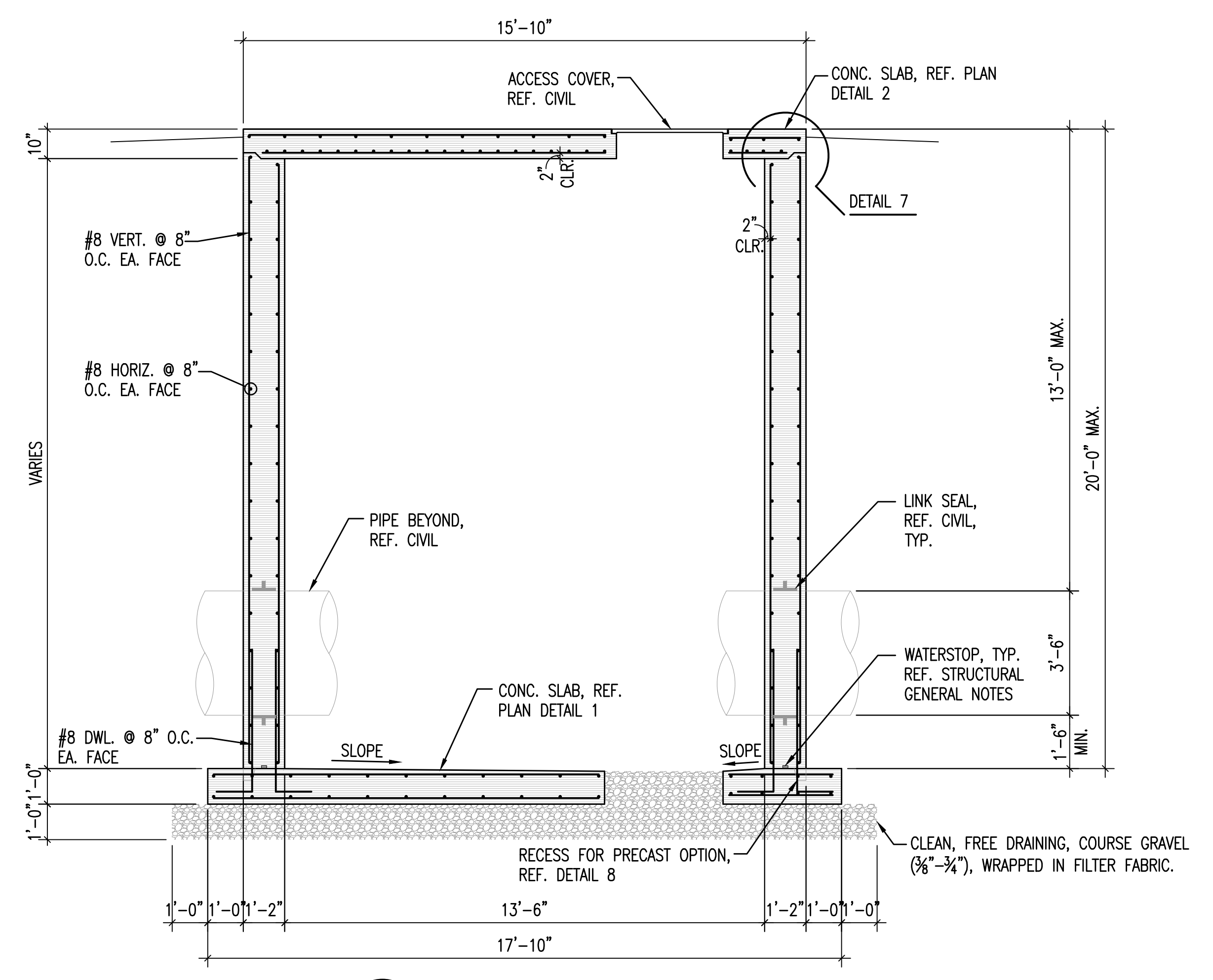


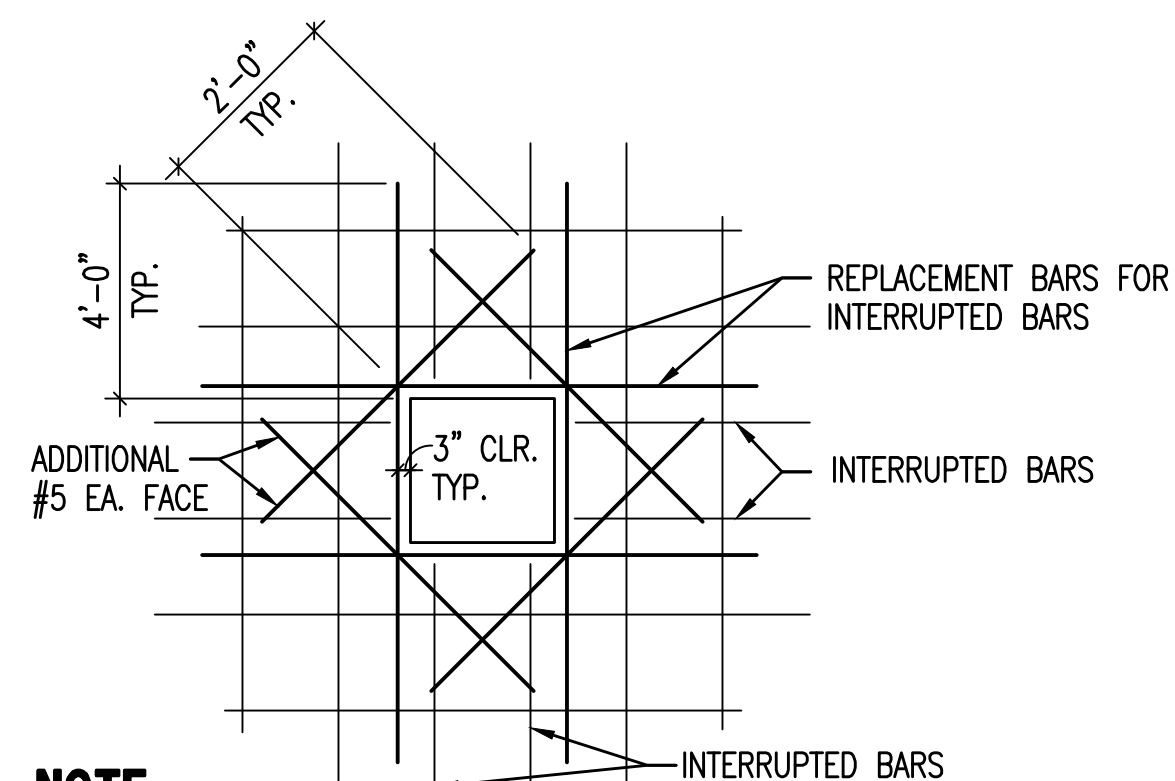
1 VAULT FOUNDATION PLAN
3/8"=1'-0"



2 VAULT COVER PLAN
3/8"=1'-0"

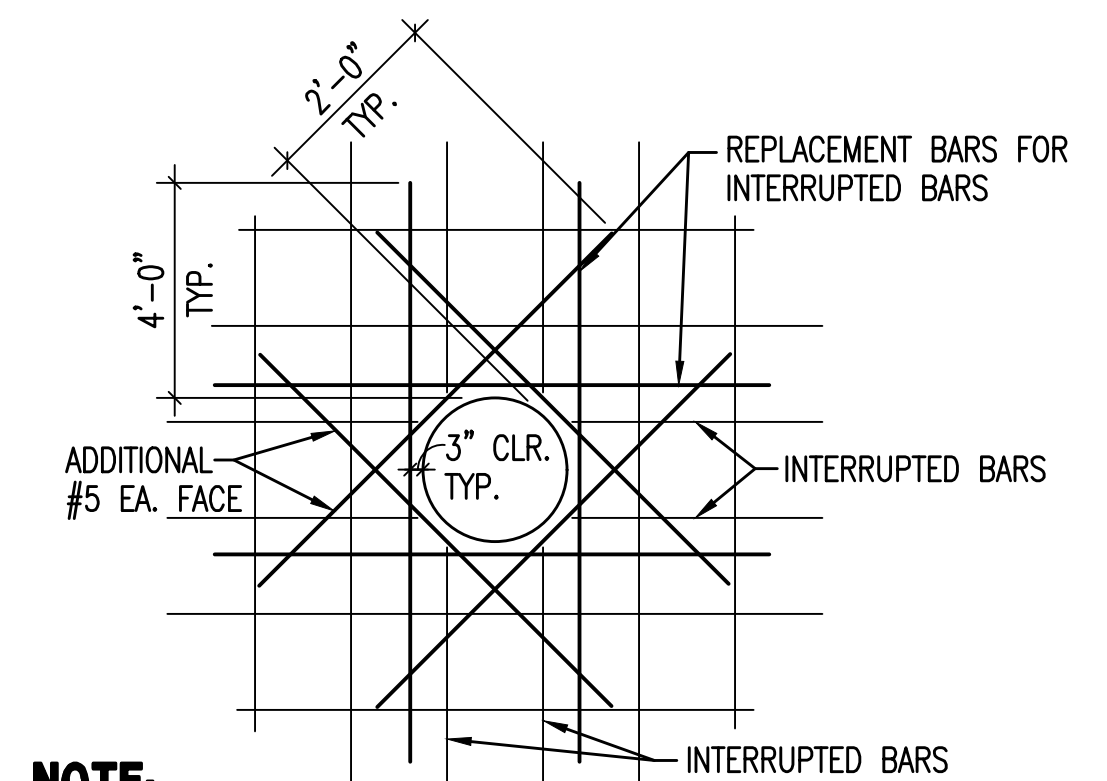


3 VAULT SECTION
3/8"=1'-0"



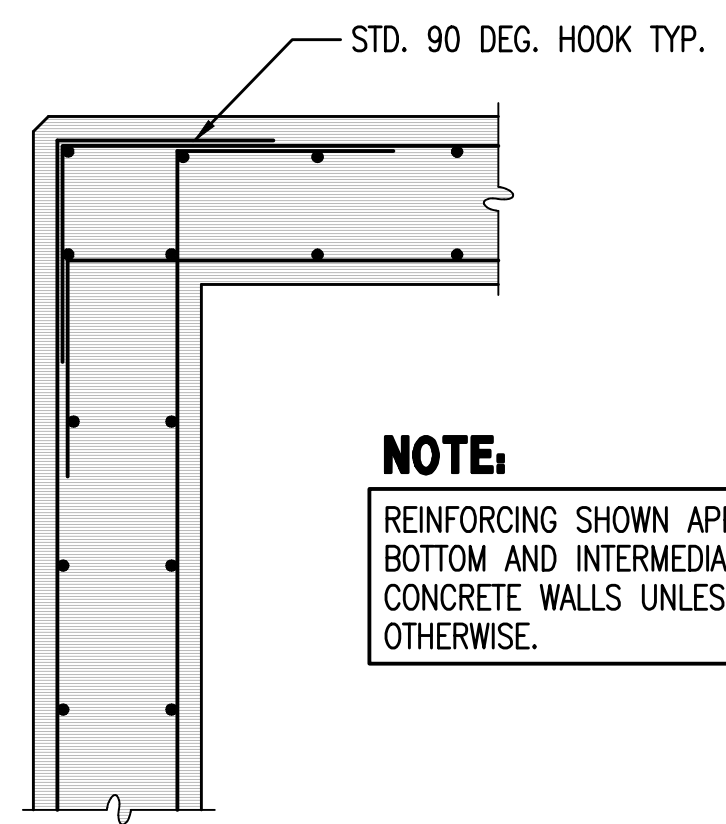
NOTE:
1. USE THIS DETAIL FOR ALL OPENINGS IN CONCRETE WALLS AND SLABS GREATER THAN 6", PROVIDE 2-#5 ON DIAGONAL AT EACH CORNER AS SHOWN. EXTEND BARS 2'-0" PAST OPENING. REPLACE ALL VERTICAL AND HORIZONTAL BARS INTERRUPTED BY THE OPENING WITH AN EQUAL NUMBER AND SIZE BARS EVENLY DIVIDED ON EACH SIDE OF THE OPENING UNLESS NOTED OTHERWISE.
2. REFER TO PLANS FOR OPENING LOCATIONS.

4 WALL/SLAB OPENING REINFORCING
NO SCALE



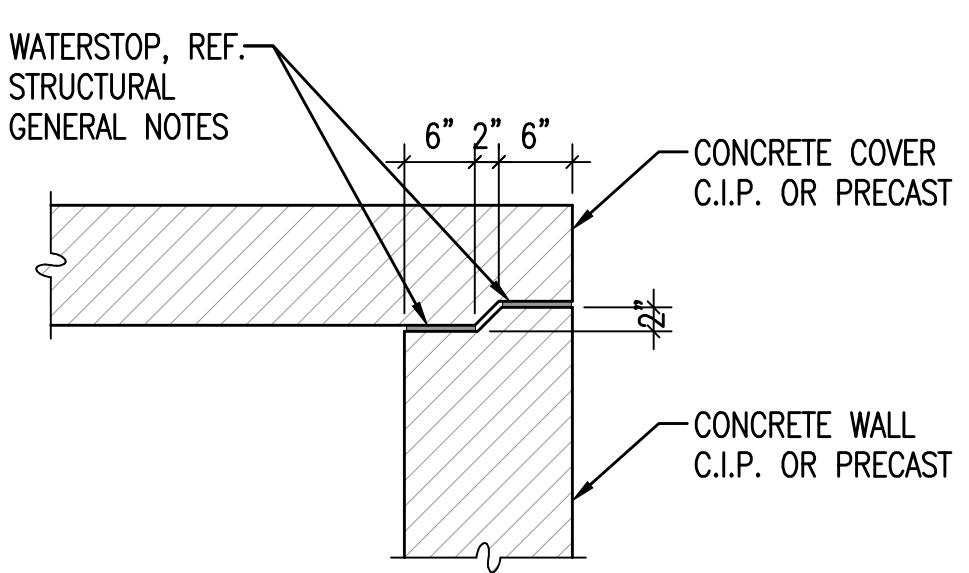
NOTE:
1. USE THIS DETAIL FOR ALL OPENINGS IN CONCRETE WALLS AND SLABS GREATER THAN 6", PROVIDE 2-#5 ON DIAGONAL AT EACH CORNER AS SHOWN. EXTEND BARS 2'-0" PAST OPENING. REPLACE ALL VERTICAL AND HORIZONTAL BARS INTERRUPTED BY THE OPENING WITH AN EQUAL NUMBER AND SIZE BARS EVENLY DIVIDED ON EACH SIDE OF THE OPENING UNLESS NOTED OTHERWISE.
2. REFER TO PLANS FOR OPENING LOCATIONS.

5 WALL/SLAB OPENING REINFORCING
NO SCALE

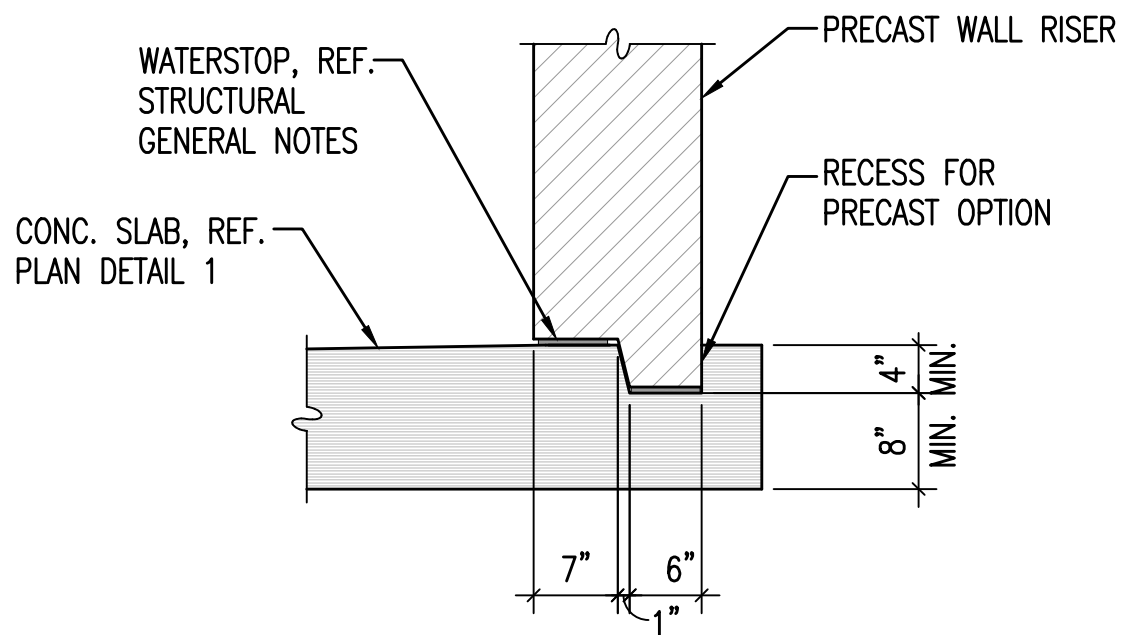


NOTE:
REINFORCING SHOWN APPLIES TO TOP, BOTTOM AND INTERMEDIATE BARS IN CONCRETE WALLS UNLESS NOTED OTHERWISE.

6 CORNER AND INTERSECTION REINF.
NO SCALE



7 COVER JOINT
3/4"=1'-0"



8 PRECAST OPTION AT CONC. SLAB
3/4"=1'-0"

		Revision By Date	
WASTEWATER PLANT 2 INFLUENT FORCE MAIN - PHASE 1 STRUCTURAL PLANS AND DETAILS LINE VALVE VAULT GARY JANZEN, P.E. - CITY ENGINEER CITY OF WICHITA PROJECT NO. 468-85118			
		PROFESSIONAL ENGINEERING CONSULTANTS, P.A. 303 SOUTH TOPEKA WICHITA, KS 67202 316-262-2691 www.pec1.com	
Designed by DKC	Job No. 35-15554-1-0042	Sht.SA302 of 60	
Drawn by DGC	Date NOVEMBER 2016		