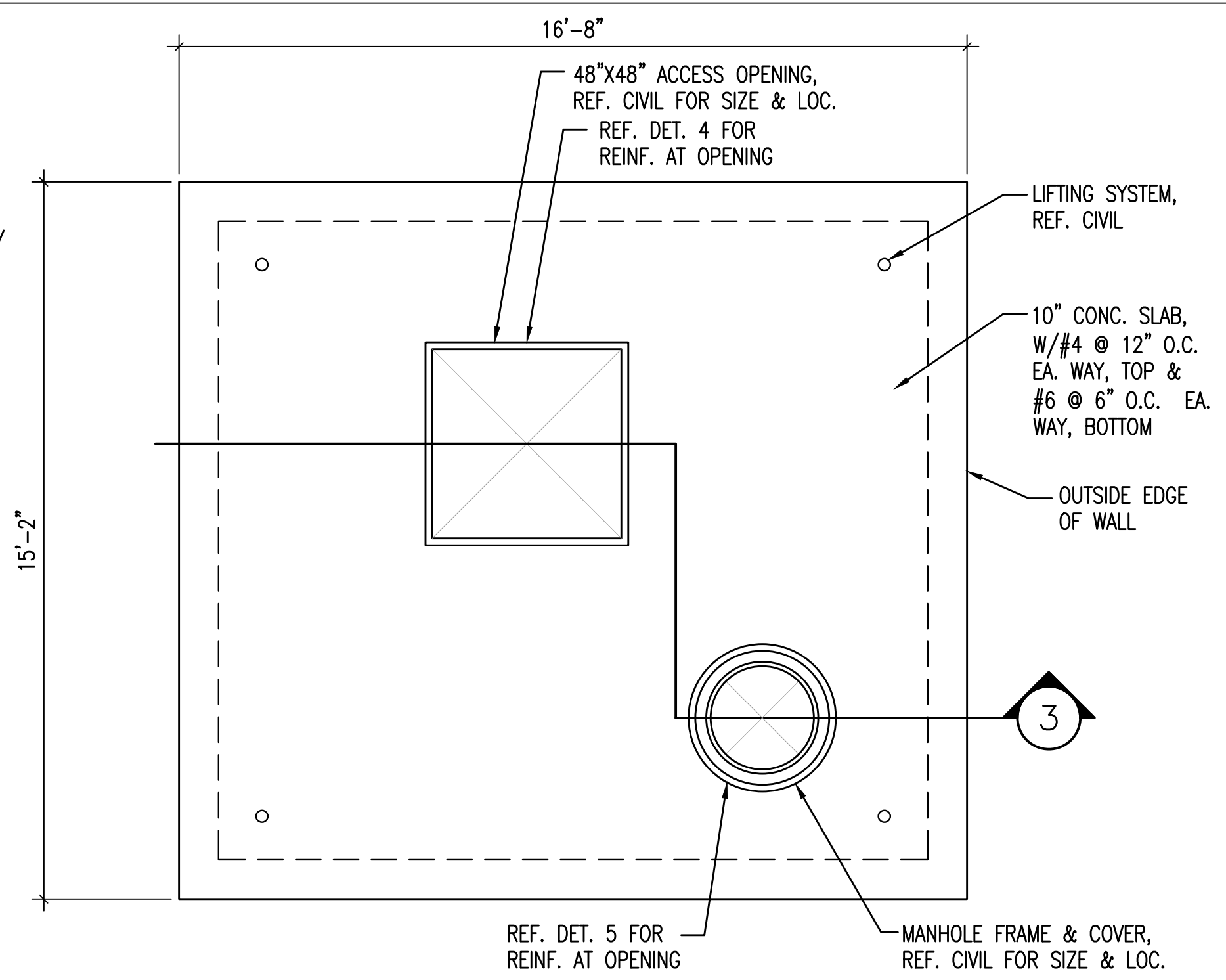
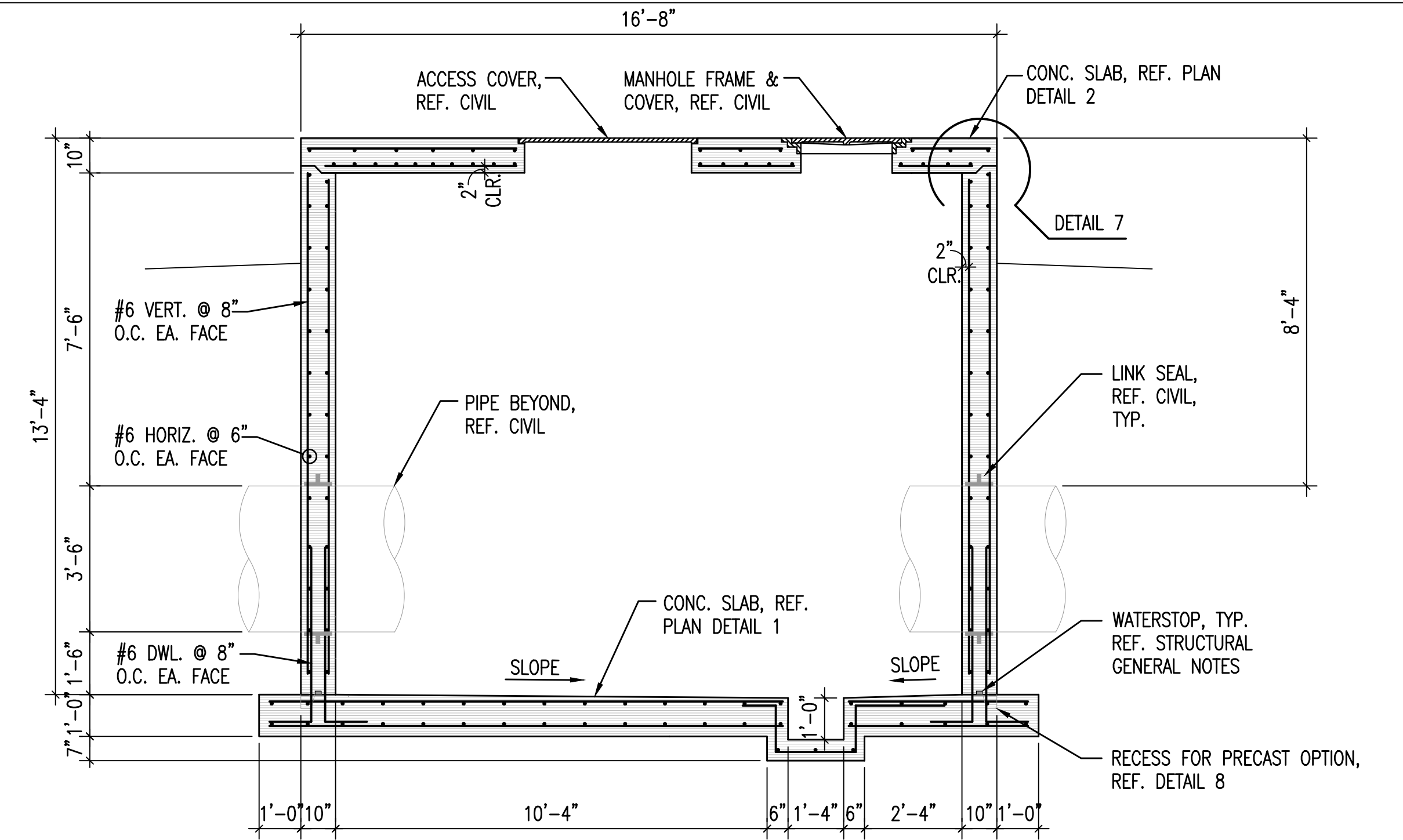


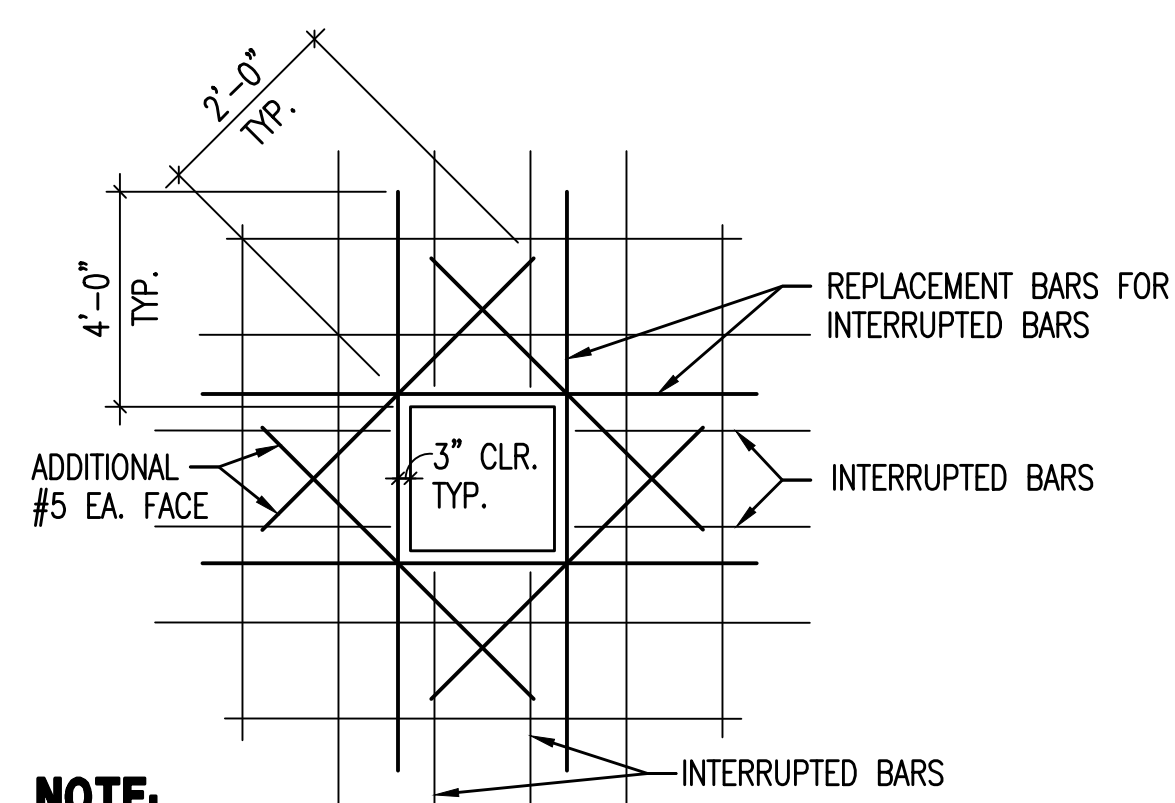
**1 VAULT FOUNDATION PLAN**  
3/8"=1'-0"



**2 VAULT COVER PLAN**  
3/8"=1'-0"

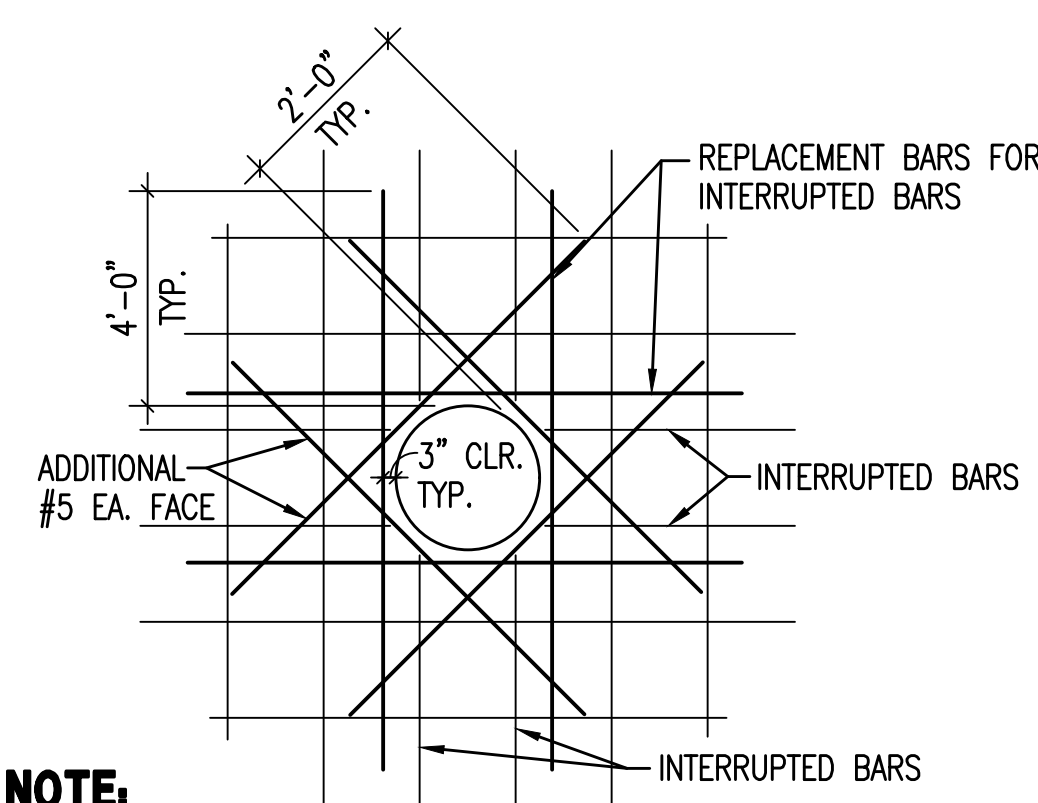


**3 VAULT SECTION**  
3/8"=1'-0"



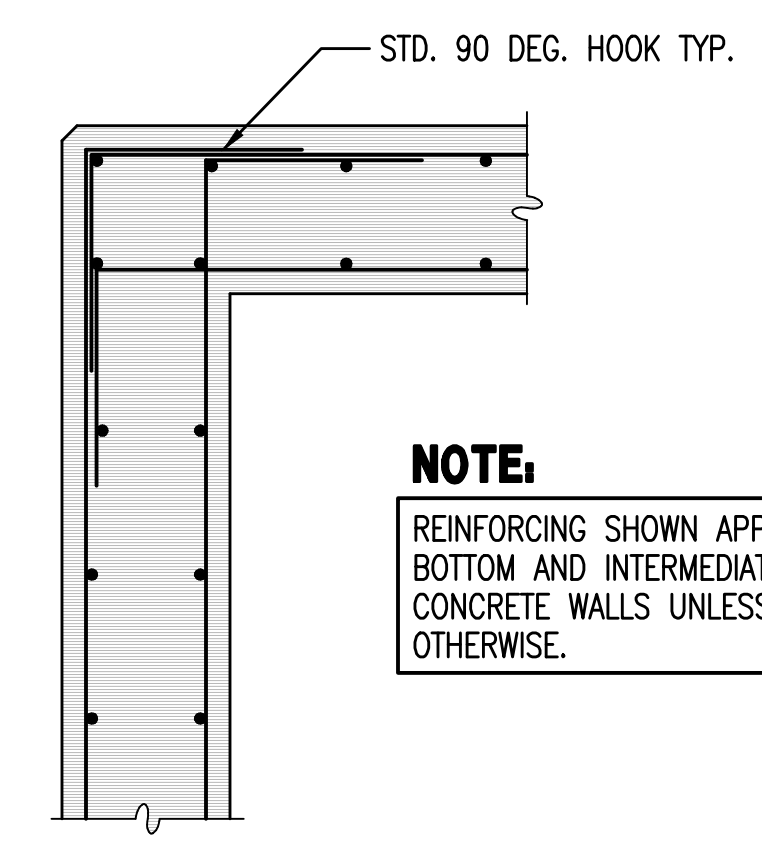
**NOTE:**  
1. USE THIS DETAIL FOR ALL OPENINGS IN CONCRETE WALLS AND SLABS GREATER THAN 6", PROVIDE 2-#5 ON DIAGONAL AT EACH CORNER AS SHOWN. EXTEND BARS 2'-0" PAST OPENING. REPLACE ALL VERTICAL AND HORIZONTAL BARS INTERRUPTED BY THE OPENING WITH AN EQUAL NUMBER AND SIZE BARS EVENLY DIVIDED ON EACH SIDE OF THE OPENING UNLESS NOTED OTHERWISE.  
2. REFER TO PLANS FOR OPENING LOCATIONS.

**4 WALL/SLAB OPENING REINFORCING**  
NO SCALE



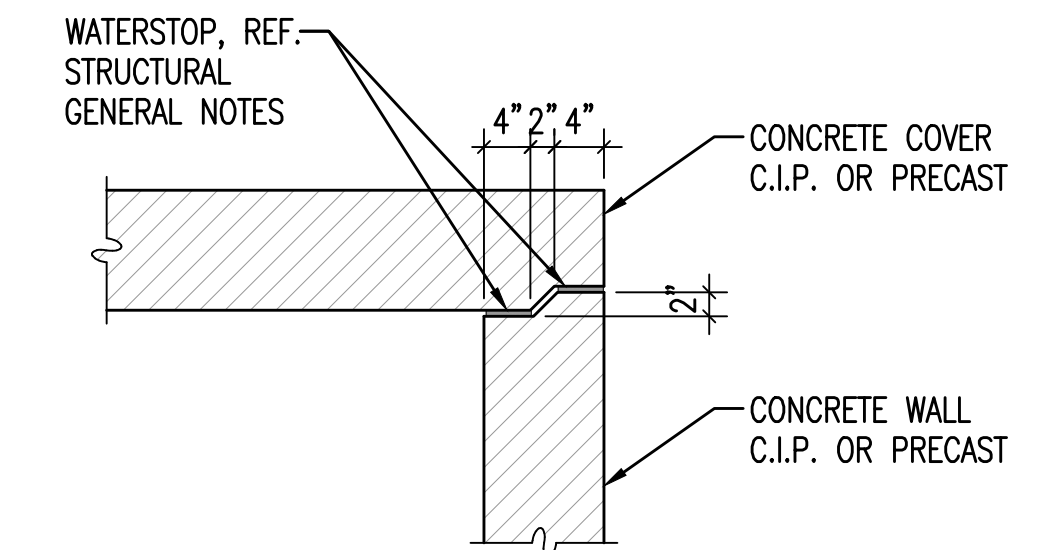
**NOTE:**  
1. USE THIS DETAIL FOR ALL OPENINGS IN CONCRETE WALLS AND SLABS GREATER THAN 6", PROVIDE 2-#5 ON DIAGONAL AT EACH CORNER AS SHOWN. EXTEND BARS 2'-0" PAST OPENING. REPLACE ALL VERTICAL AND HORIZONTAL BARS INTERRUPTED BY THE OPENING WITH AN EQUAL NUMBER AND SIZE BARS EVENLY DIVIDED ON EACH SIDE OF THE OPENING UNLESS NOTED OTHERWISE.  
2. REFER TO PLANS FOR OPENING LOCATIONS.

**5 WALL/SLAB OPENING REINFORCING**  
NO SCALE

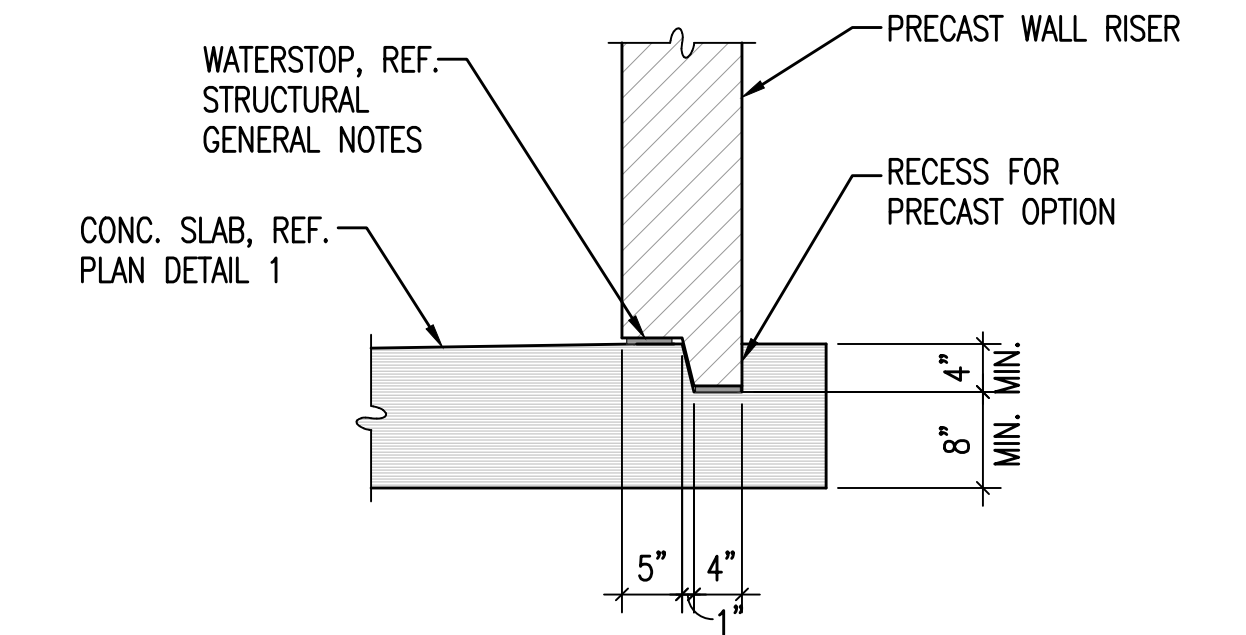


**NOTE:**  
REINFORCING SHOWN APPLIES TO TOP, BOTTOM AND INTERMEDIATE BARS IN CONCRETE WALLS UNLESS NOTED OTHERWISE.

**6 CORNER AND INTERSECTION REINFORCING**  
NO SCALE



**7 COVER JOINT**  
3/4"=1'-0"



**8 PRECAST OPTION AT CONC. SLAB**  
3/4"=1'-0"

	WASTEWATER PLANT 2 INFLUENT FORCE MAIN - PHASE 1 STRUCTURAL PLANS AND DETAILS CONTROL VALVE VAULT GARY JANZEN, P.E. - CITY ENGINEER CITY OF WICHITA PROJECT NO. 468-85118		No. _____ Revision _____ By _____ Date _____
			Designed by DKC Job No. 35-15554-1-0042 Drawn by BGL Date NOVEMBER 2016 Sht.SA303 of 60