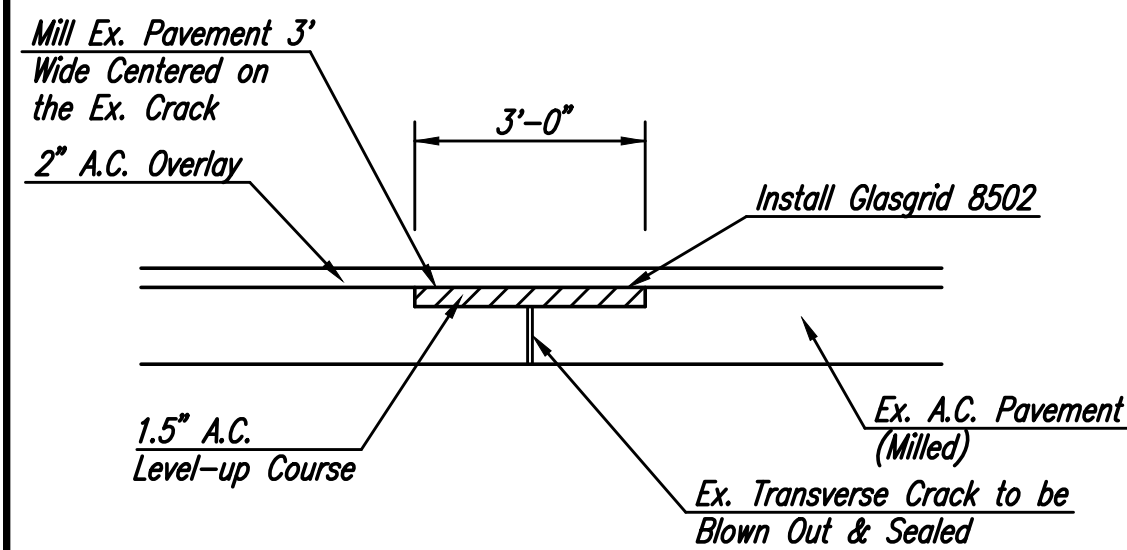
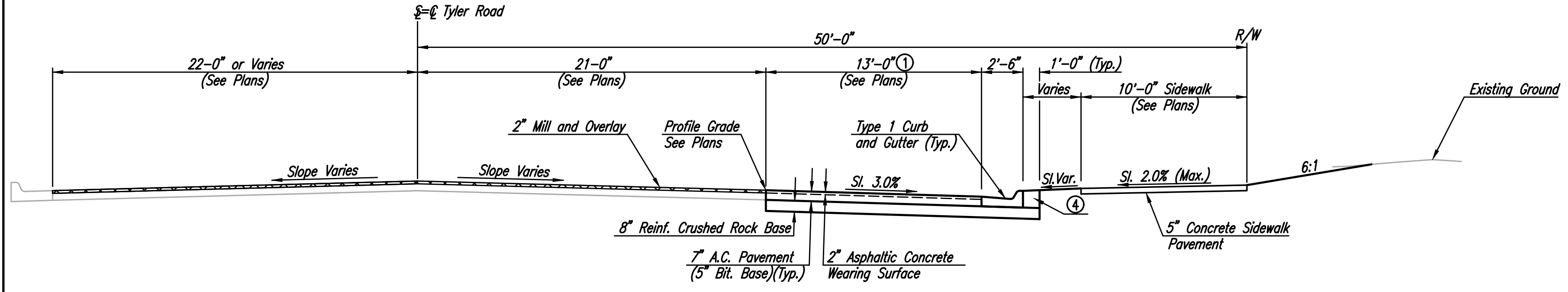


**A.C. PAVEMENT TRANSVERSE CRACK REPAIR DETAIL**

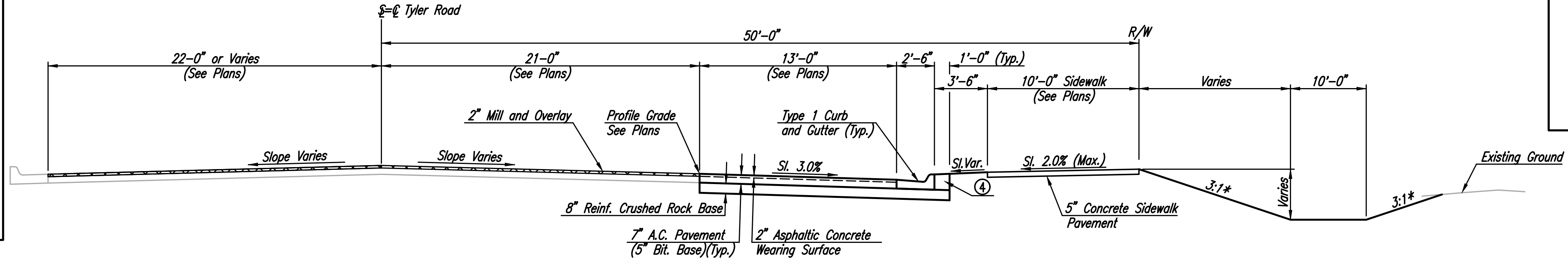


**SECTION A-A**

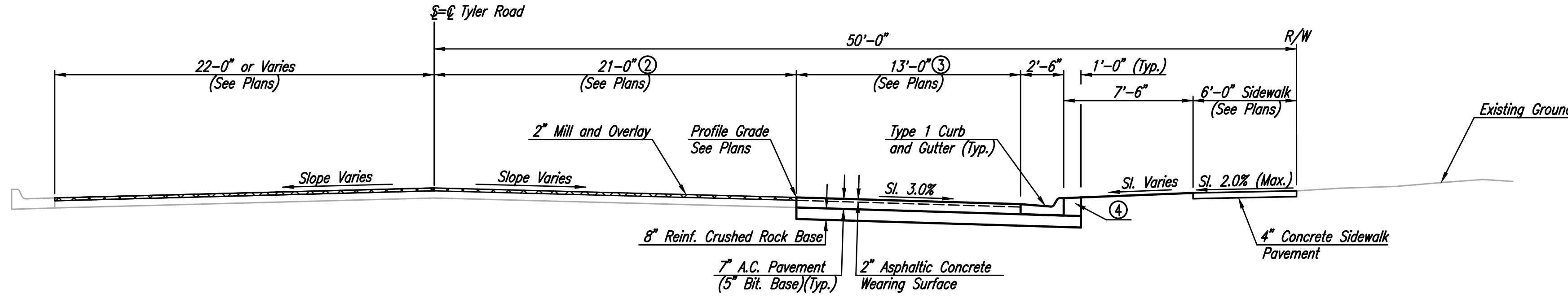
The Contractor shall repair all Transverse cracks in Tyler Road from Sta. 96+35.00 to Sta. 122+73.62 as detailed above. All Cost associated with this work shall be considered **SUBSIDIARY** to the Measured Quantity Bid Item "Crack (Thermal) Repair (36" Wide)".  
Estimated Total Length of AC Pavement Crack Repair = 2475'



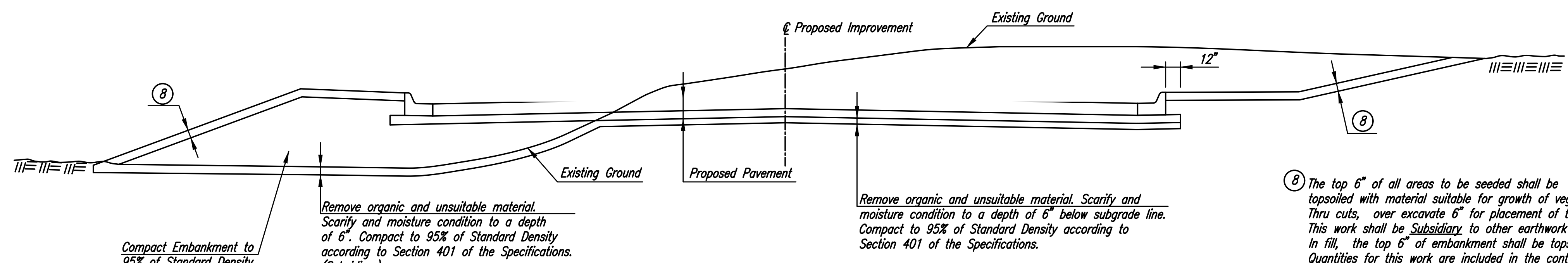
**TYPICAL SECTION**  
Sta. 96+35 to Sta. 106+50



**TYPICAL SECTION**  
Sta. 106+50 to Sta. 113+28

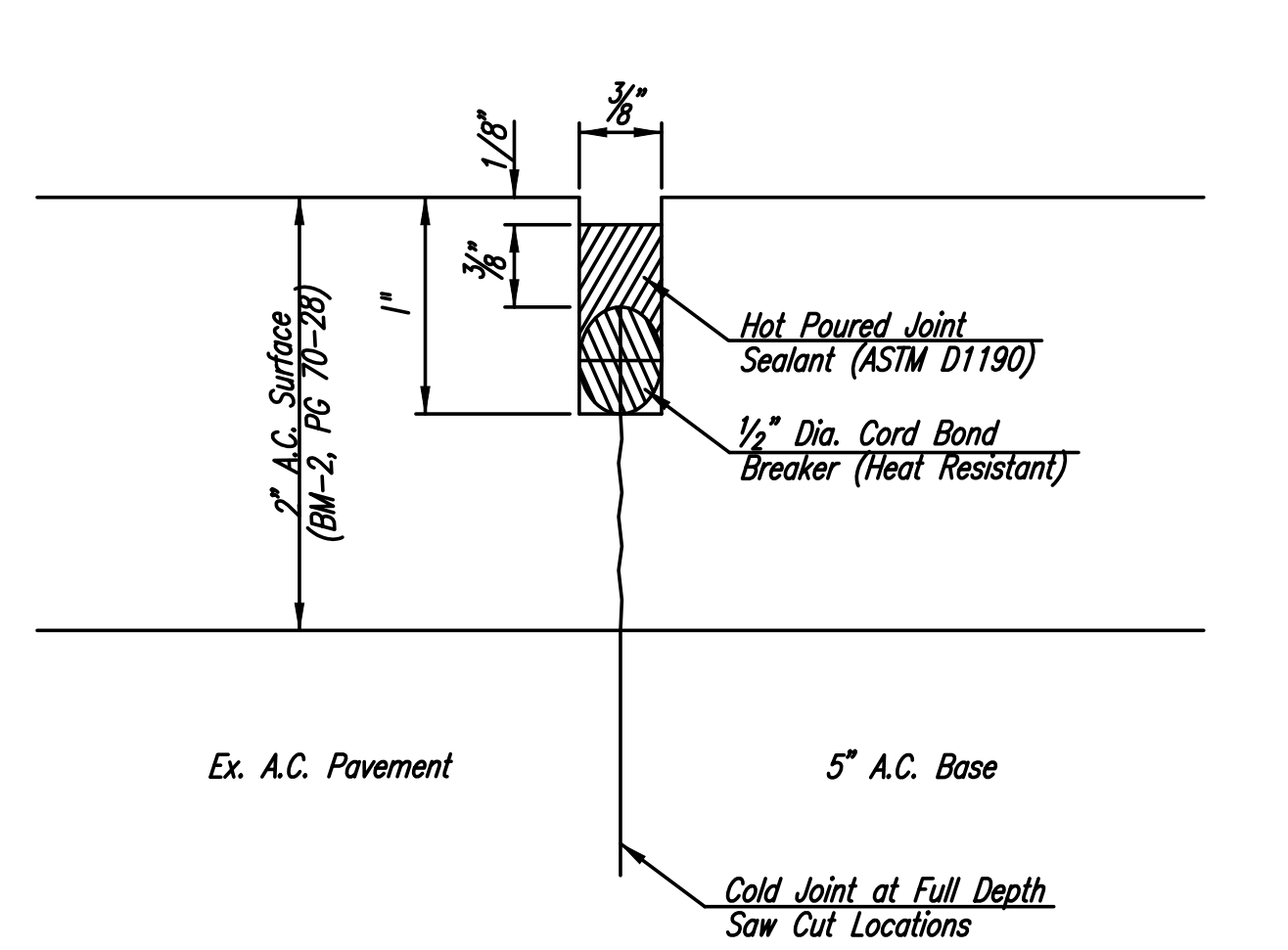


**TYPICAL SECTION**  
Sta. 113+28 to Sta. 122+73.62



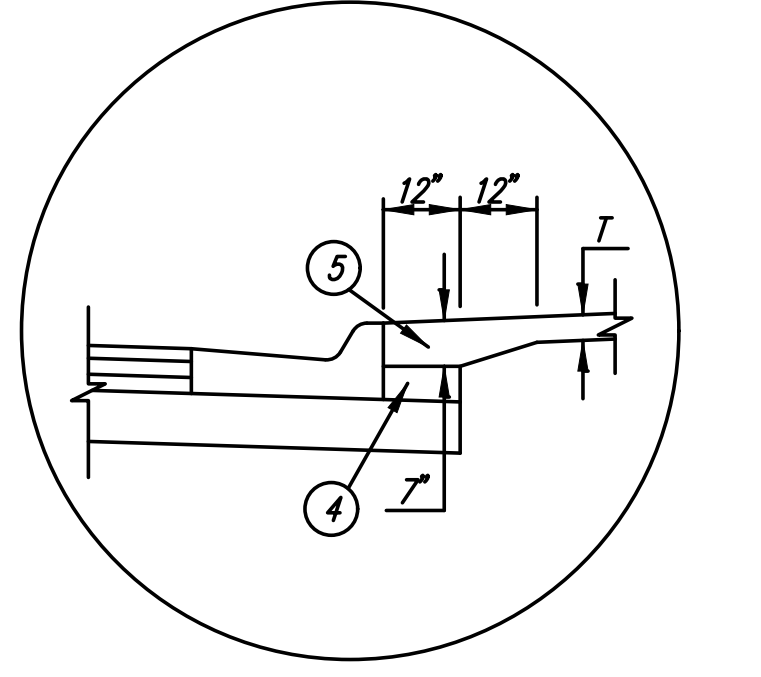
**COMPACTION DIAGRAM**

Note: All embankment, including sidewalks and driveways shall be compacted.



**SAW & SEAL DETAIL**  
(For A.C. Pavement)

NOTE: After final surfacing, the Contractor shall saw & seal the A.C. Surface Course along all locations where the existing pavement is being widened. All costs associated with this work shall be considered **SUBSIDIARY** to the Measured Quantity Bid Item "Saw & Seal Joints".



**TYP. THICKENED SIDEWALK EDGE DETAIL**  
Sta. 96+35.00 to Sta. 98+15.00

- ① Varies from 0'-0" at Sta. 96+35.00 to 13'-0" at Sta. 99+54.95
- ② Varies from 21'-0" at Sta. 116+43.80 to 34'-0" at Sta. 121+50.00
- ③ Varies from 13'-0" at Sta. 116+43.80 to 4'-0" at Sta. 121+50.00
- ④ Backfill behind curb. Quantities for this work are included in the Earthwork Summary Table.
- ⑤ The additional thickness of concrete sidewalk will not be paid for directly but is considered **SUBSIDIARY** to the Measured Quantity Bid Item "Concrete Sidewalk (\*\*)".

\* Dimensions and Slopes for Standard Ditches and Fills See Plan and Cross Sections for Variations.

Sowed: 08-02-2017 3:37:05 PM by CP  
 Plot Scale: 1" = 10'-0" (1:120)  
 U:\Projects\2015\15956\Drawings\15956-000-030-TYPICAL SECTIONS

No.	Revision	By	Date
TYLER ROAD BETWEEN MAPLE AND CENTRAL PAVING AND INCIDENTAL DRAINAGE IMPROVEMENTS <b>TYPICAL SECTIONS</b> GARY JANZEN, P.E. - CITY ENGINEER CITY OF WICHITA PROJECT NO. 472-85282 PROFESSIONAL ENGINEERING CONSULTANTS, P.A. 303 SOUTH TOPEKA WICHITA, KS 67202 316-262-2691 www.pec1.com			
Designed by	CKC	Job No.	31-15956-000
Drawn by	CP	Date	JULY 2017
			Sht. 03 of 96