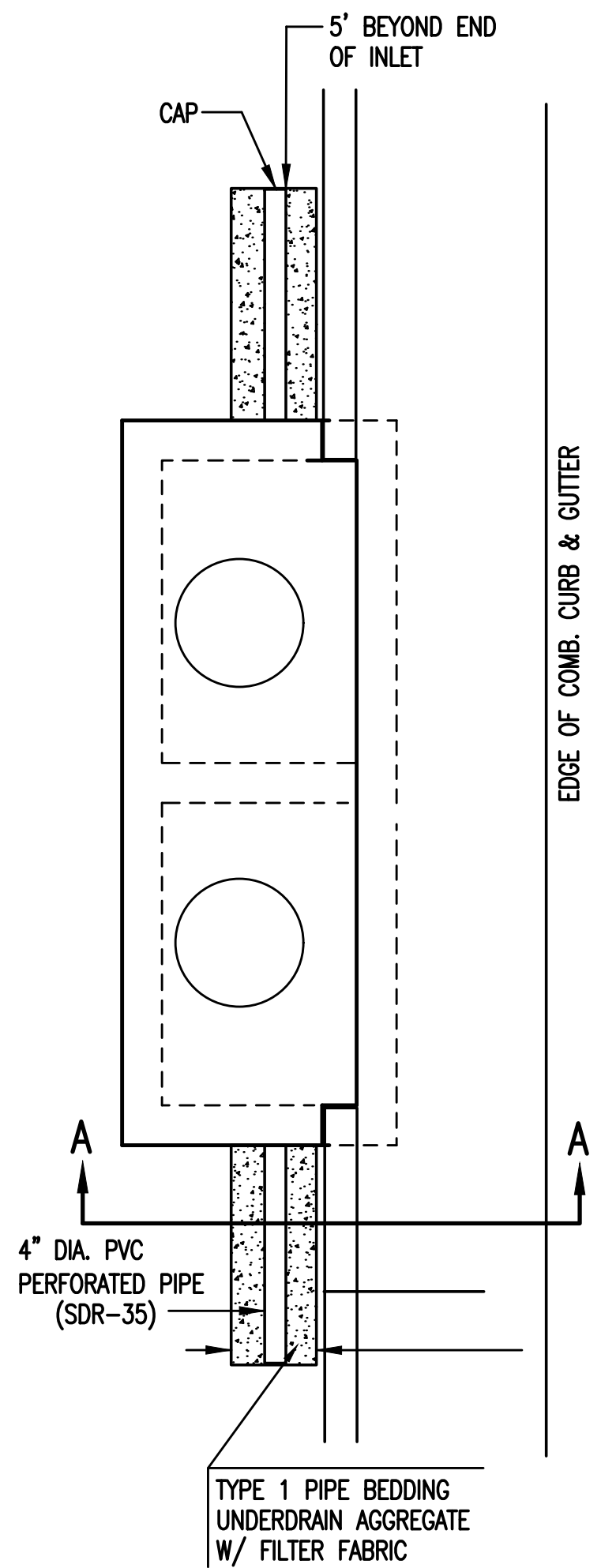
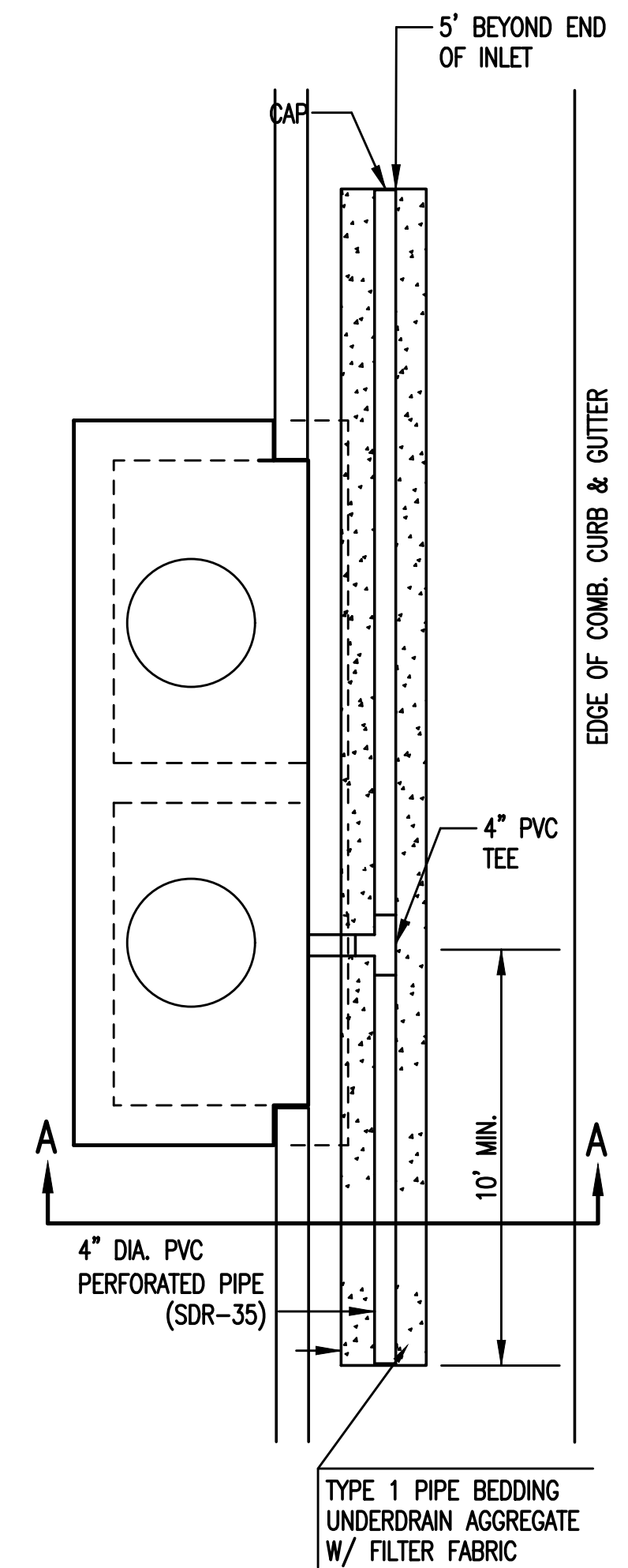


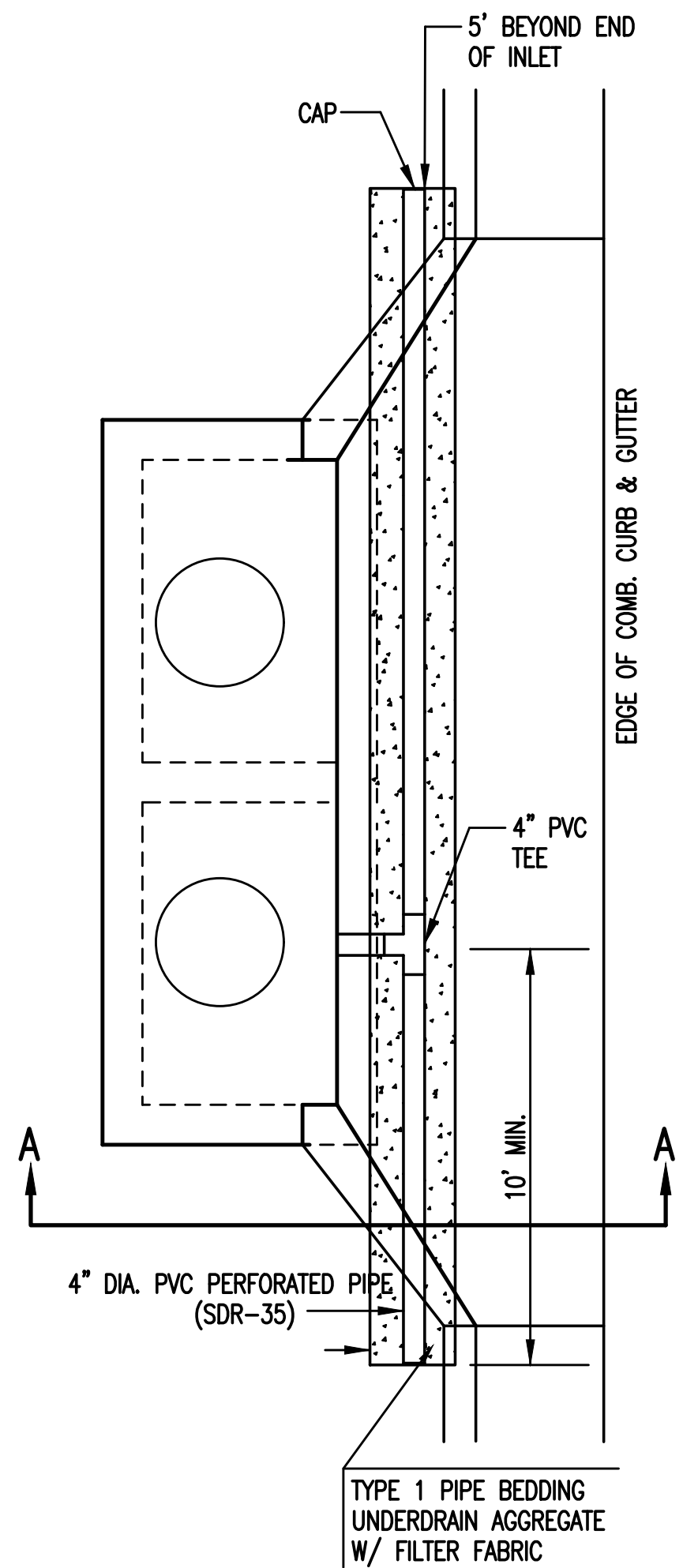
PAVEMENT UNDERDRAIN SHALL BE INSTALLED ON ALL CURB INLETS.



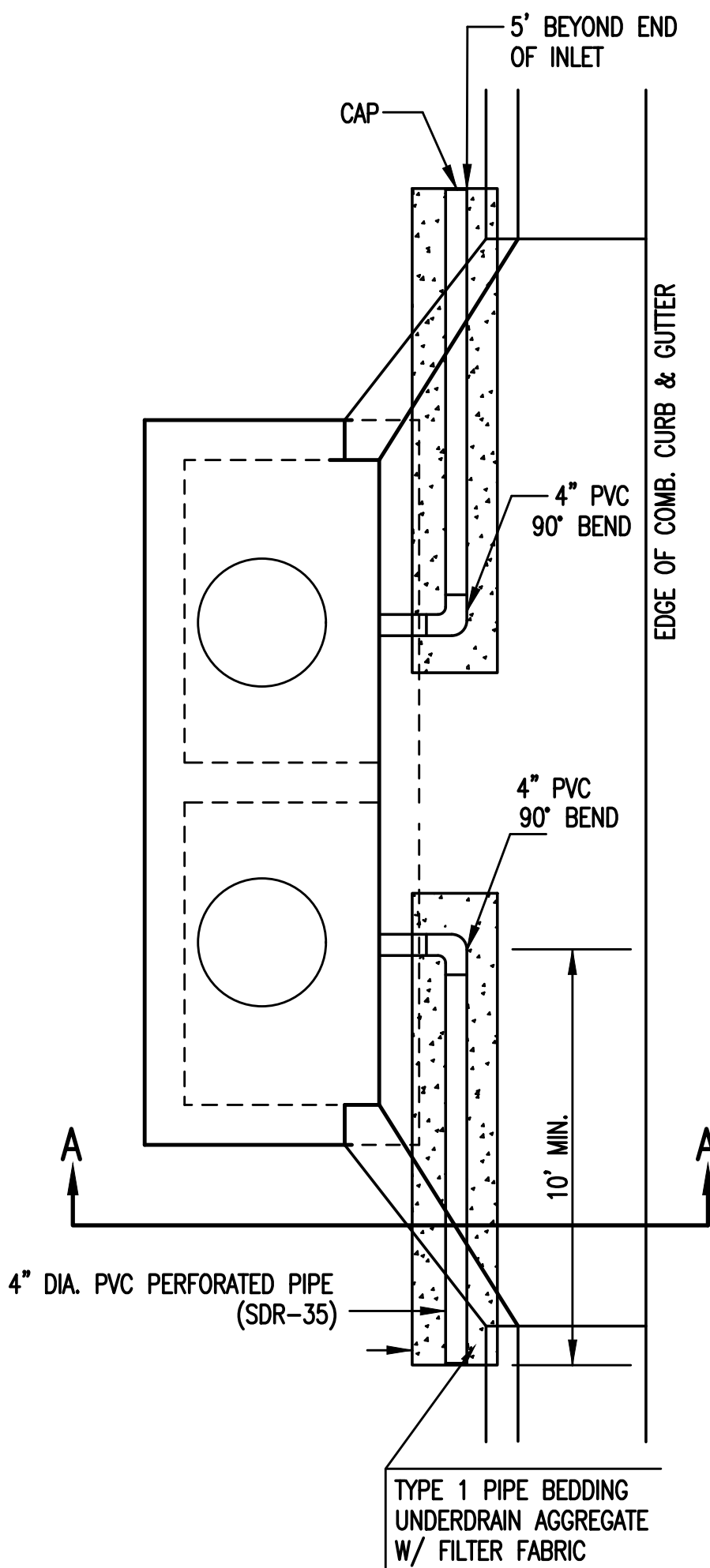
**TYPE 1
OPTION 1**



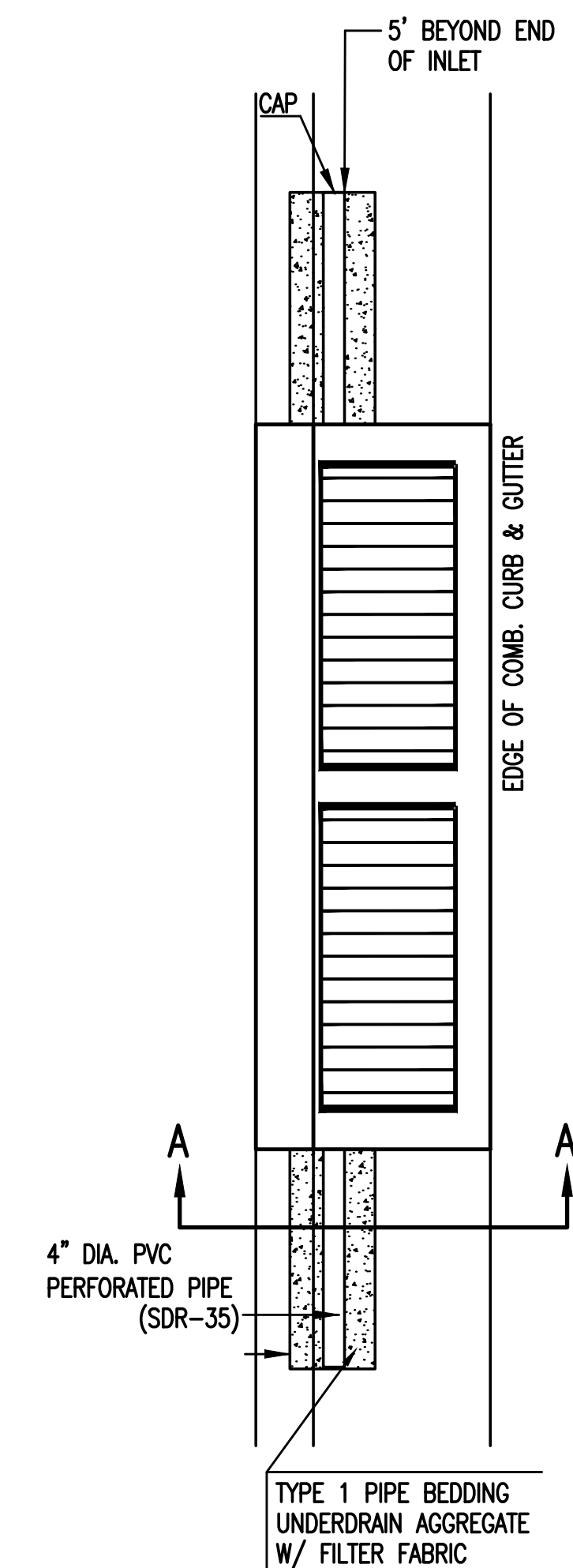
**TYPE 1
OPTION 2**



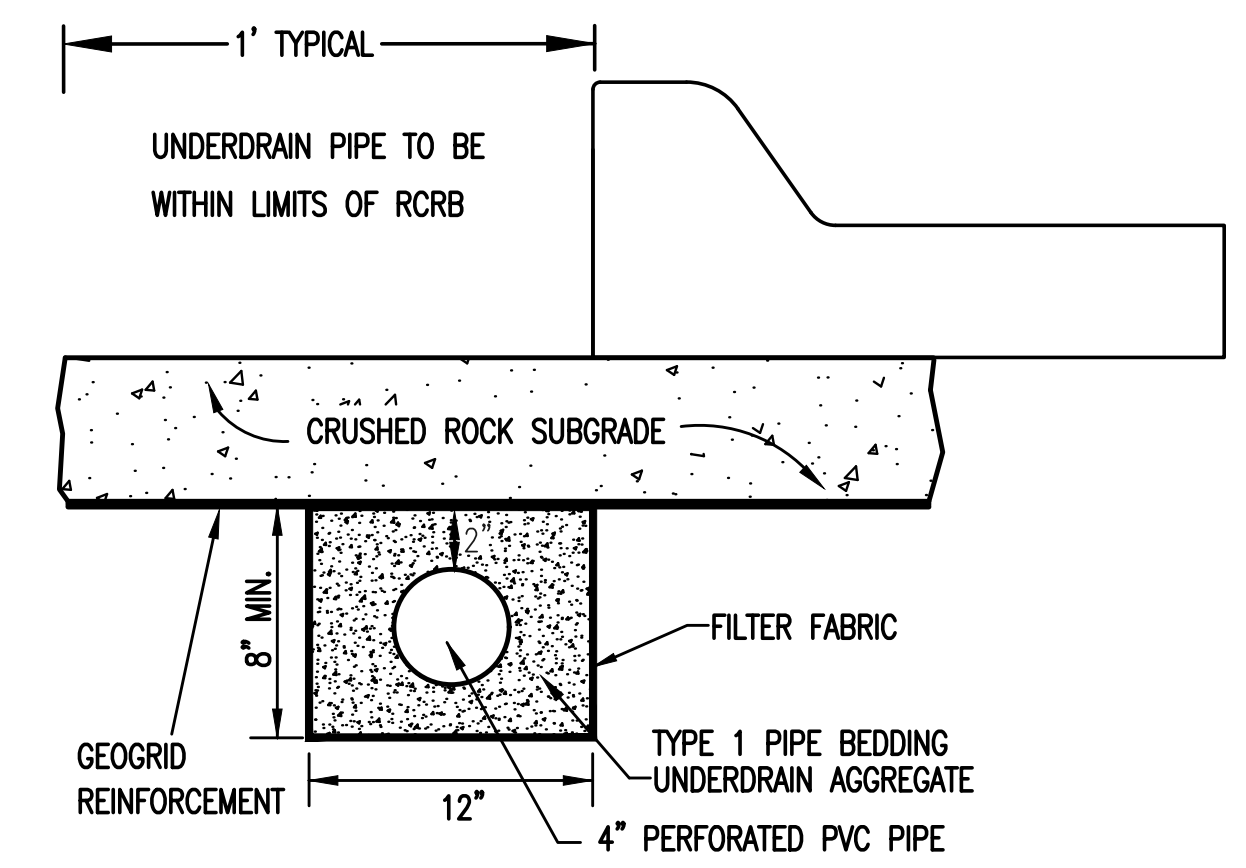
**TYPE 1-A INLET
OPTION 1**



**TYPE 1-A INLET
OPTION 2**



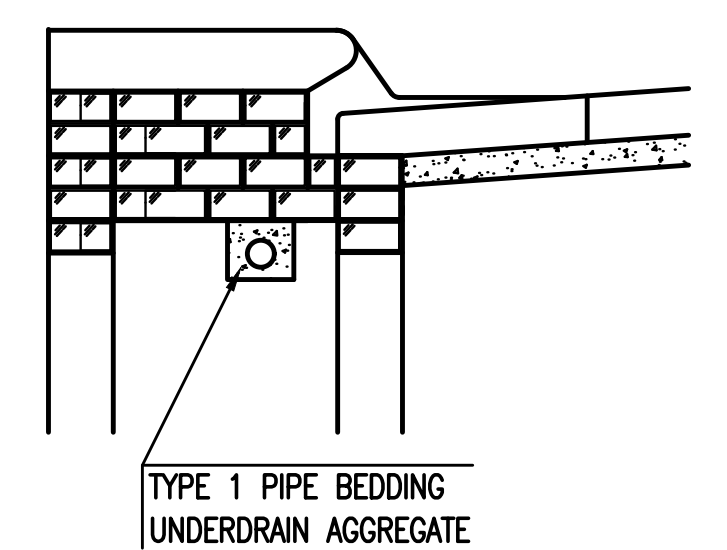
TYPE 2



SECTION A-A (TYPICAL)

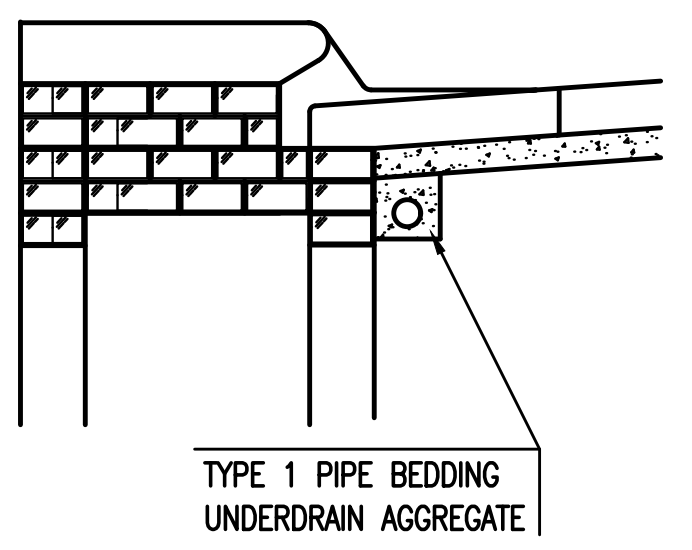
GENERAL NOTES

- PAVEMENT CONTRACTOR WILL BE REQUIRED TO INSTALL SDR 35, 4" PERFORATED DRAIN PIPE AND TEE AS INDICATED IN THE DETAILS.
- WHEN SWS CONSTRUCTED BY SEPARATE PROJECT, SWS CONTRACTOR SHALL INSTALL SDR 35, 4" DRAIN PIPE STUB ONLY THROUGH WALLS OF CURB INLETS AND CAP TO ALLOW FUTURE CONNECTION OF TEE AND ADDITIONAL DRAIN PIPE BY OTHERS.
- UNDERDRAIN PIPE SHALL BE PAID AS A MEASURED QUANTITY BY THE LINEAL FOOT.

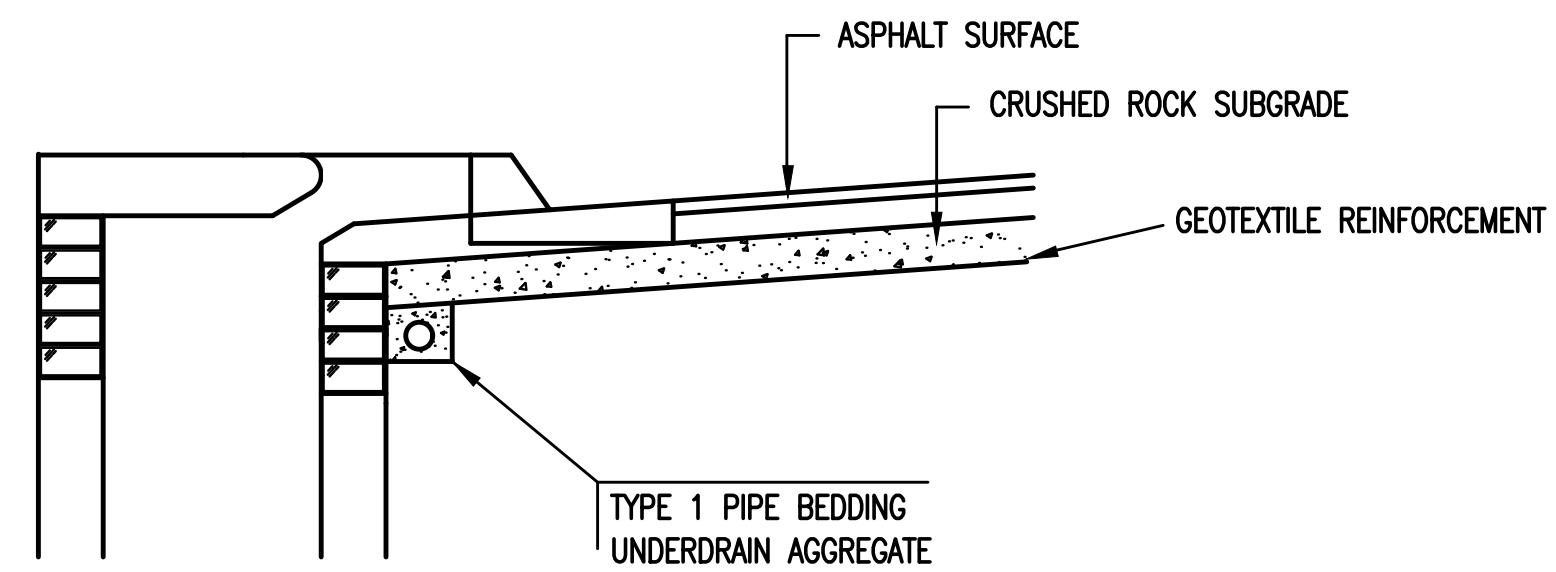


(MIN. 16 PERFORATIONS PER LIN. FT. @ 1/4" DIA.)
PERFORATIONS TO BE ON BOTTOM HALF

SECTION A-A



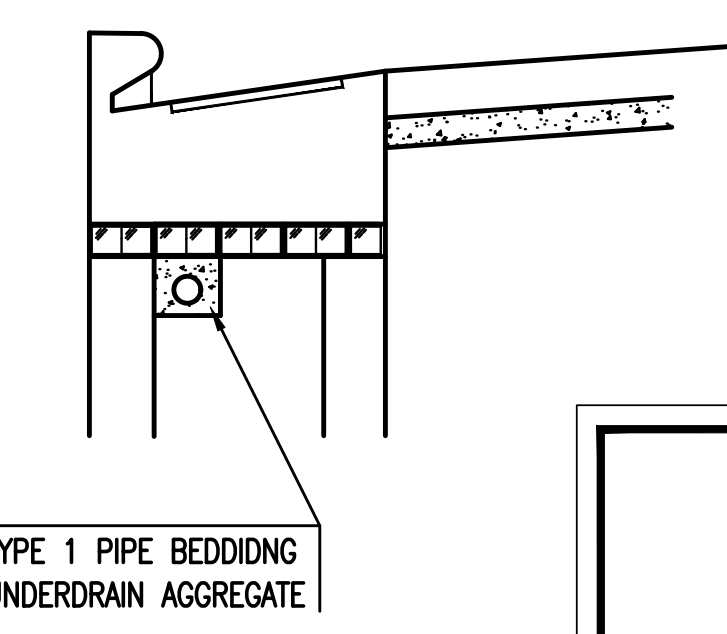
TYPE 1 PIPE BEDDING
UNDERDRAIN AGGREGATE



SECTION A-A

PAVEMENT UNDERDRAIN DETAIL

BID ITEM TO BE PROVIDED PER 4" PERFORATED UNDERDRAIN PIPE.



TYPE 1 PIPE BEDDING
UNDERDRAIN AGGREGATE

SECTION A-A

Sheet 05-11-2017 09:47:59 AM by: CP
 Proj: Sewer 11 07-25-2017 10:36:18 AM by: CARLOS PEREZ
 U:\Wichita-Civil\2015\155565\000\Wm-Toms\Drawings\15556-000-24C-SW-111-Pavement_Underdrain

CITY OF WICHITA
PUBLIC WORKS & UTILITIES
ENGINEERING DIVISION

CURB INLET PAVEMENT UNDERDRAIN DETAIL		
CITY ENGINEER GARY JANZEN, P.E.		
PROJECT NUMBER 472-85282	OCA NUMBER 707099	DATE 10/2012
CITY ENGINEER'S OFFICE CITY HALL - SEVENTH FLOOR 455 NORTH MAIN STREET WICHITA, KANSAS 67202-1620 (316) 268-4501		SHEET 24 of 96