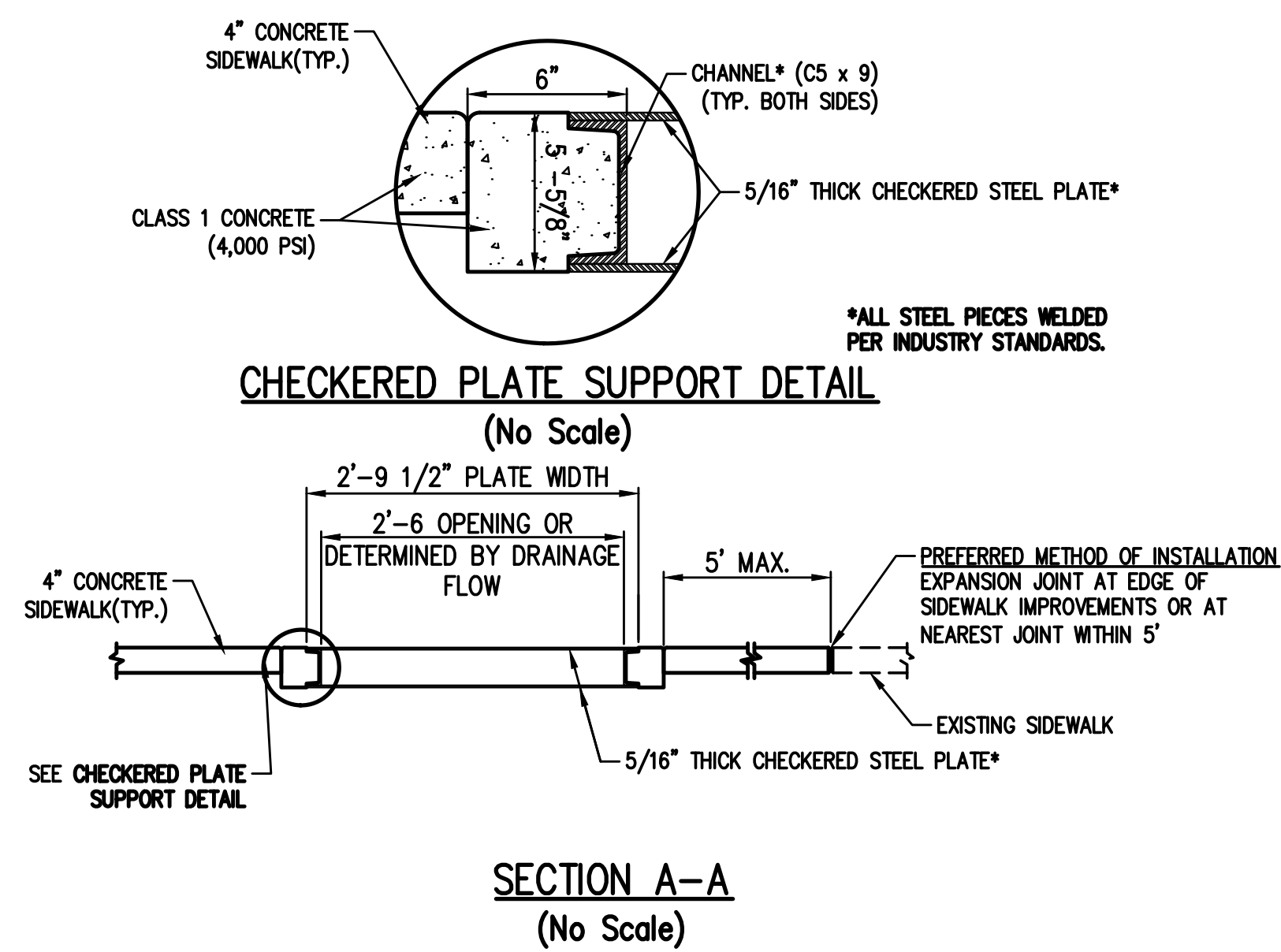
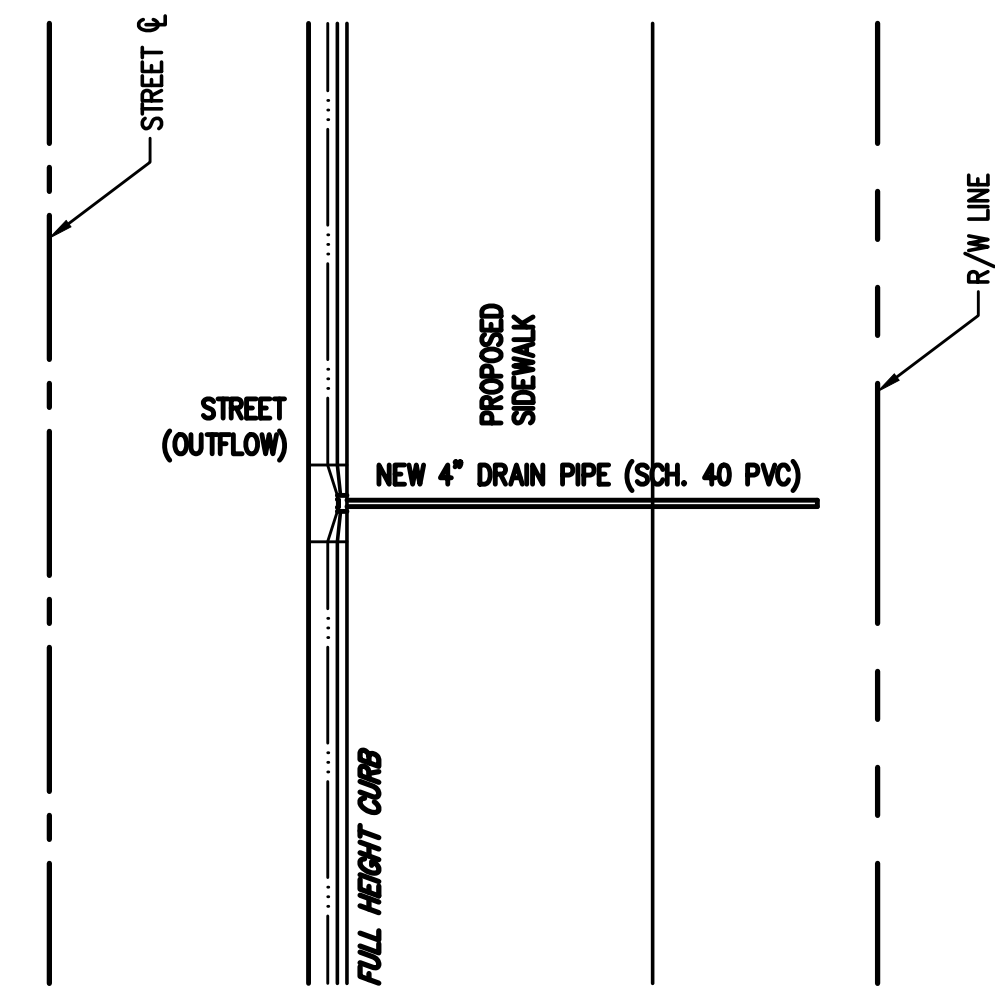


CONCRETE FLUME PLAN



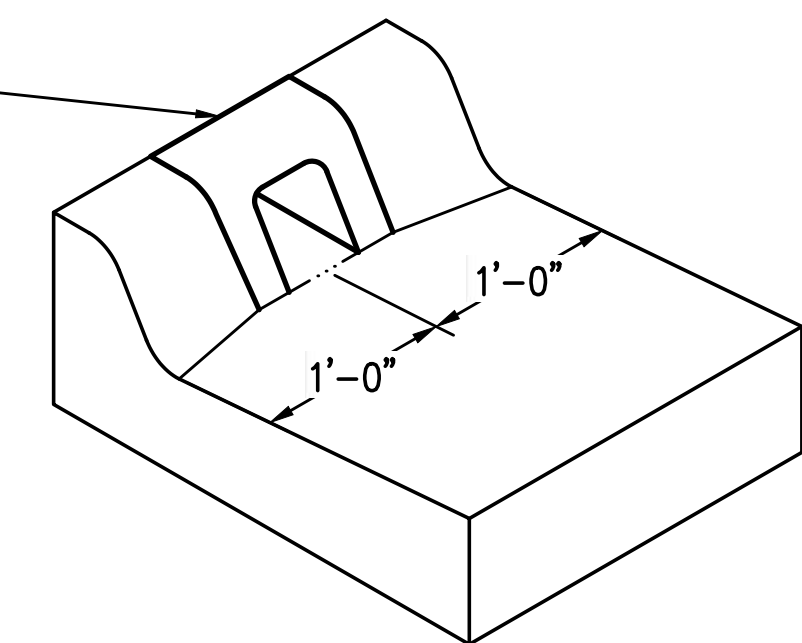
CHECKERED PLATE SUPPORT DETAIL

SECTION A-A




(ALTERNATIVE INSTALLATION WITH PRIOR APPROVAL FROM CITY ENGINEER)

NEENAH R-3262-3, OR EQUIVALENT. (INLINE WITH FACE OF CURB)



CURB TRANSITION
NEENAH CURB DRAIN

Sowed 07-11-2017 1:42:58 PM by CP
 Plot Scale 1:1 07-25-2017 10:38:59 AM by CP
 U:\Wichita-Civil\2015\15956\000\Multi-Trans\Drawings\15956-000-300-CONCRETE FLUME

No.	Revision	By	Date
TYLER ROAD BETWEEN MAPLE AND CENTRAL PAVING AND INCIDENTAL DRAINAGE IMPROVEMENTS COVERED CONCRETE FLUME THROUGH SIDEWALK & NEENAH CURB DRAIN GARY JANZEN, P.E. - CITY ENGINEER CITY OF WICHITA PROJECT NO. 472-85282			
 PROFESSIONAL ENGINEERING CONSULTANTS, P.A. 303 SOUTH TOPEKA WICHITA, KS 67202 316-262-2691 www.pec1.com			
Designed by	CKC	Job No.	31-15956-000
Drawn by	CP	Date	JULY 2017
			Sht. 30 of 96