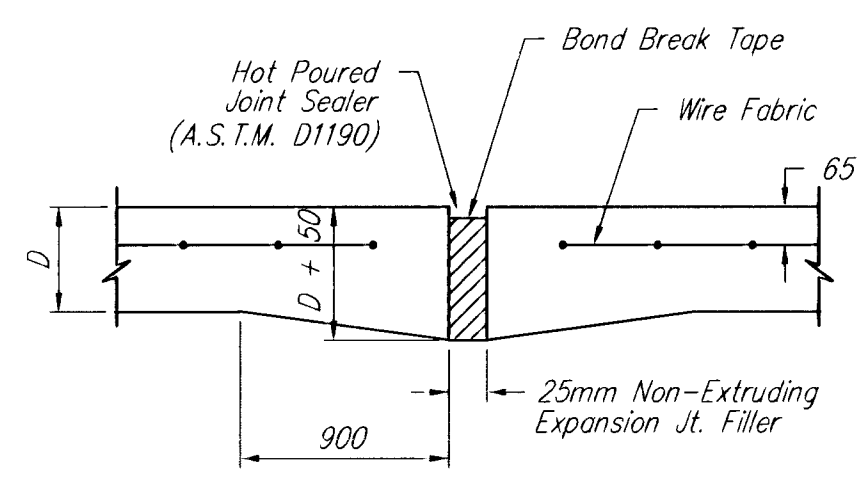


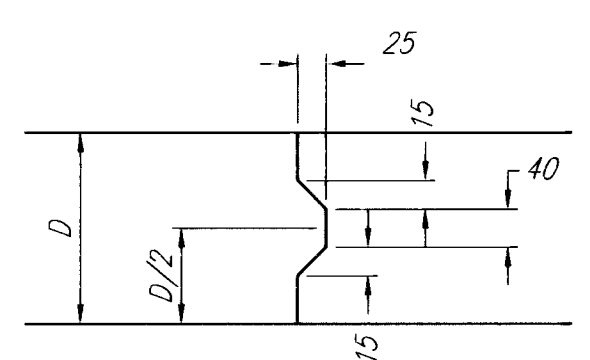
FHWA REGION NO.	STATE	PROJECT NUMBER	FISCAL YEAR	SHEET NUMBER	TOTAL SHEETS
7	KANSAS	87N-0191-01	2002	32	92

DATE	BY	REFERENCES NOTED	REFERENCES CHECKED

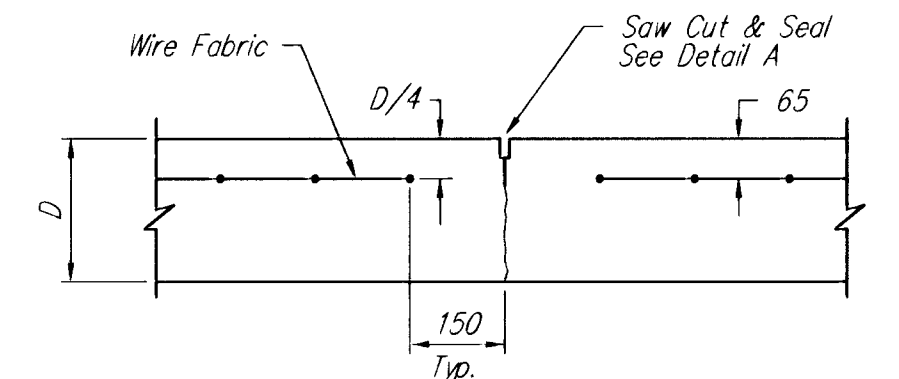


EXPANSION JOINT

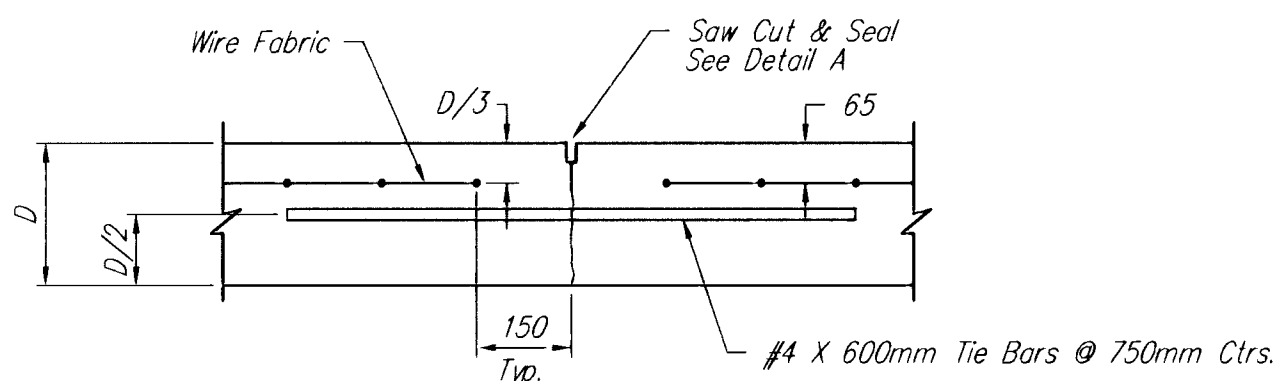
NOTE: Extra Thickness to be Subsidiary to Price of Square Meters Pavement



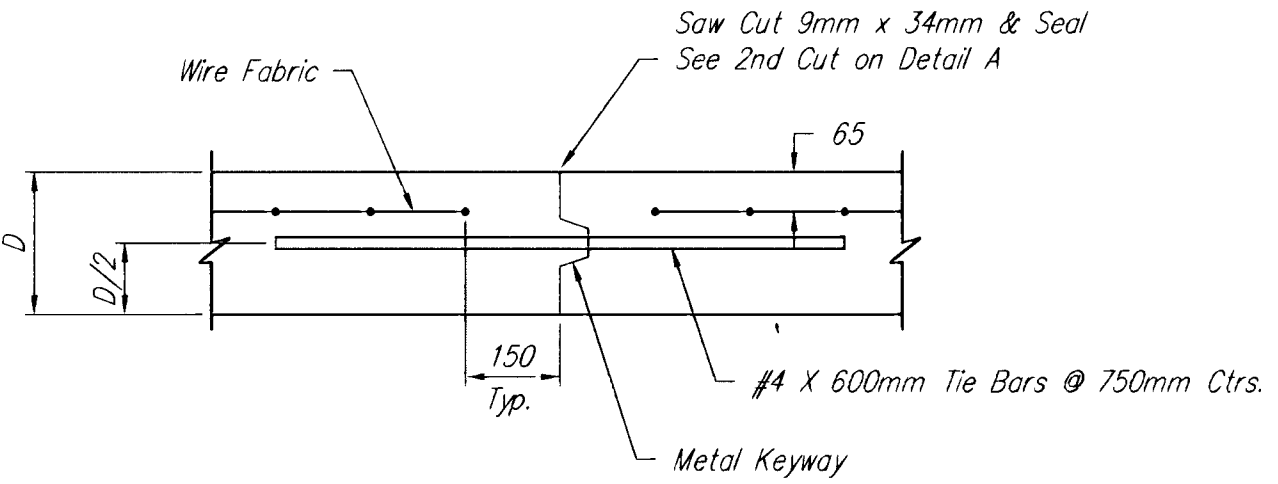
KEYWAY DETAIL



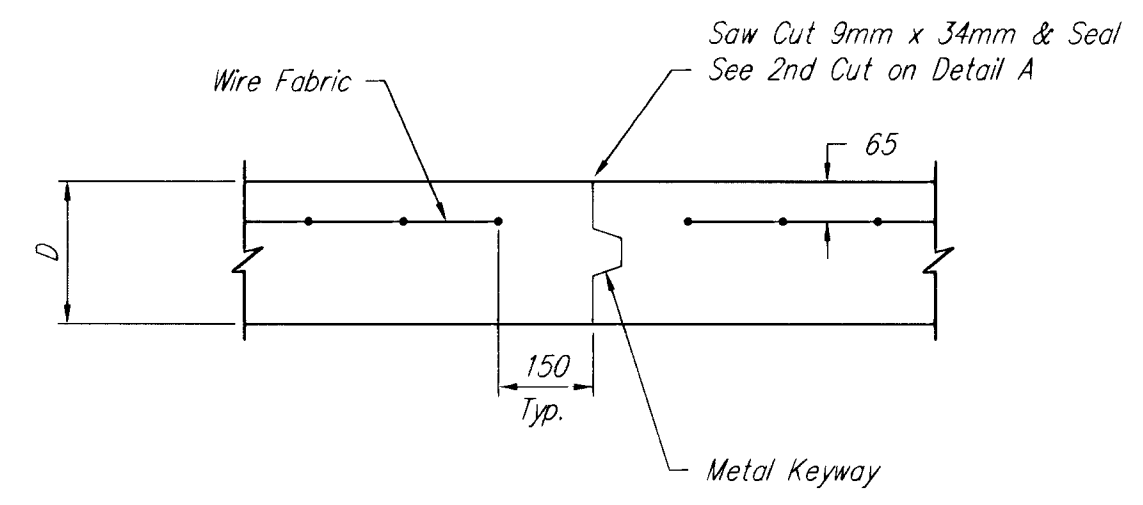
CONTRACTION JOINT DETAIL (C.J.)



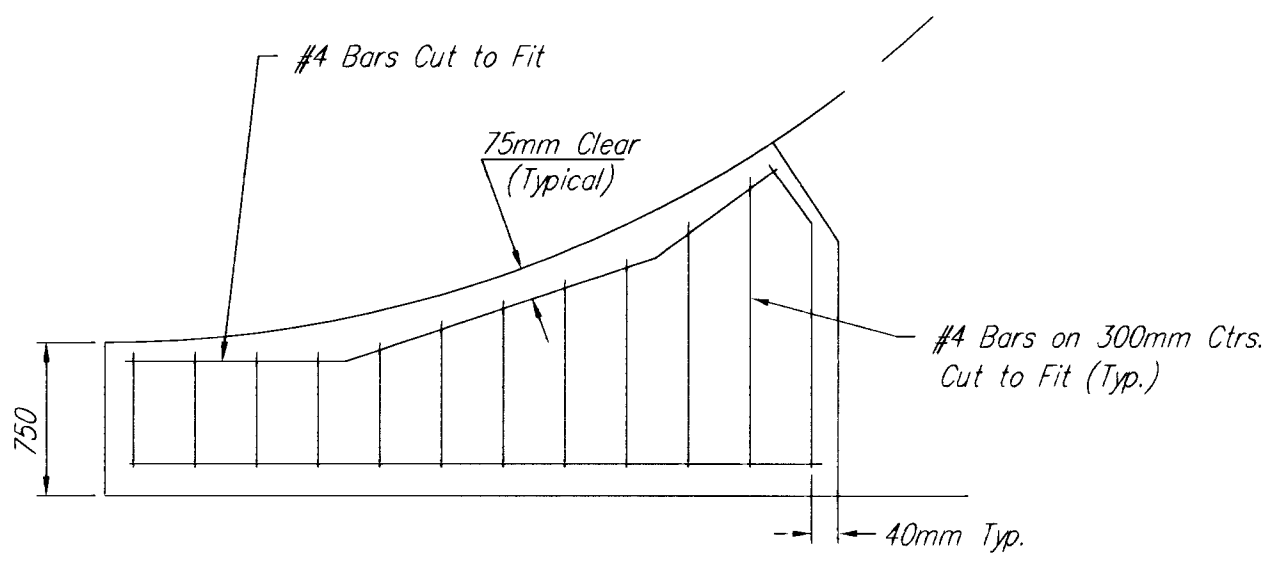
LONGITUDINAL JOINT DETAIL (L.J.)



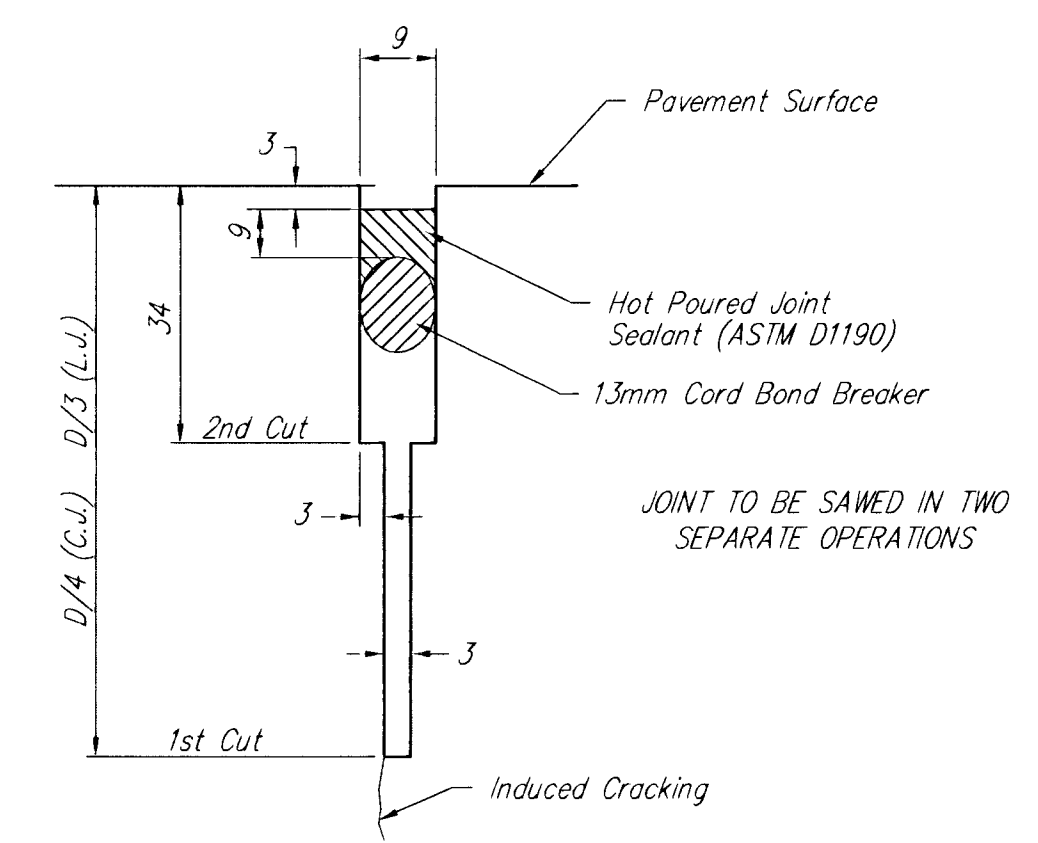
OPTIONAL LONGITUDINAL JOINT DETAIL (L.J.)



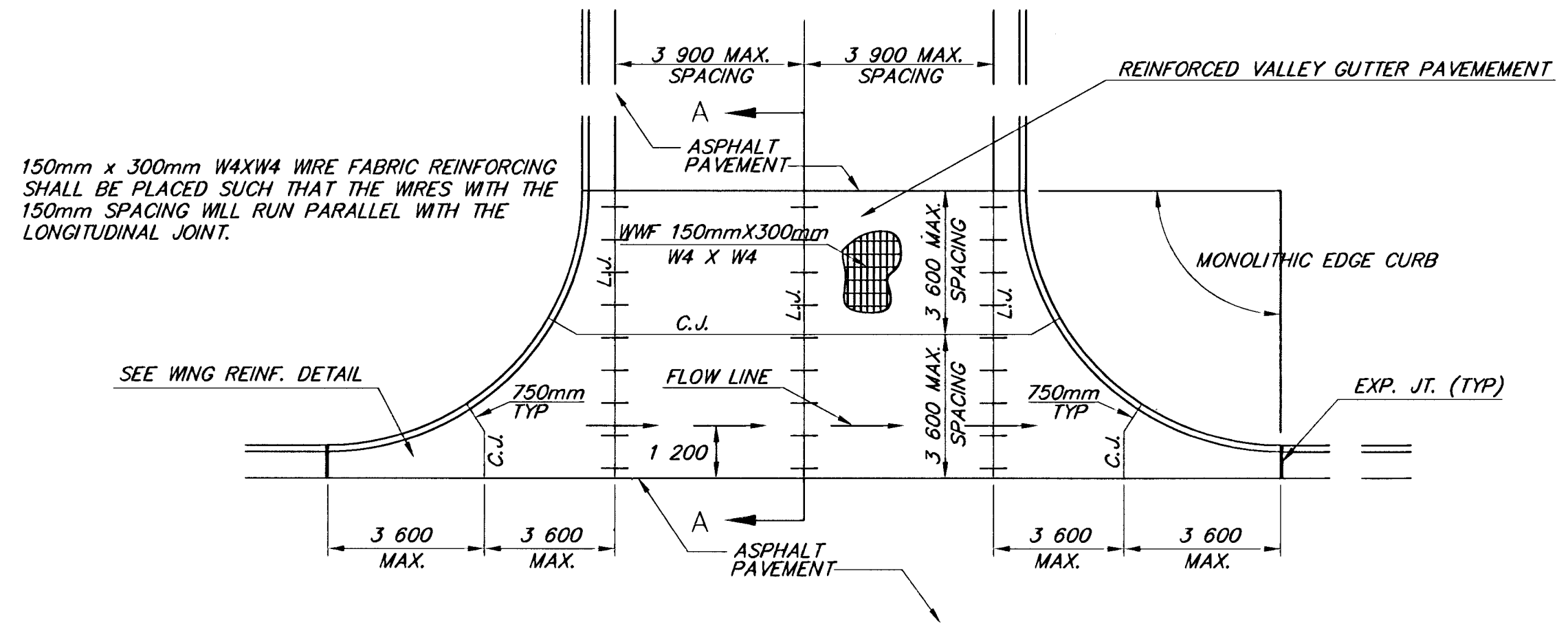
OPTIONAL CONTRACTION JOINT



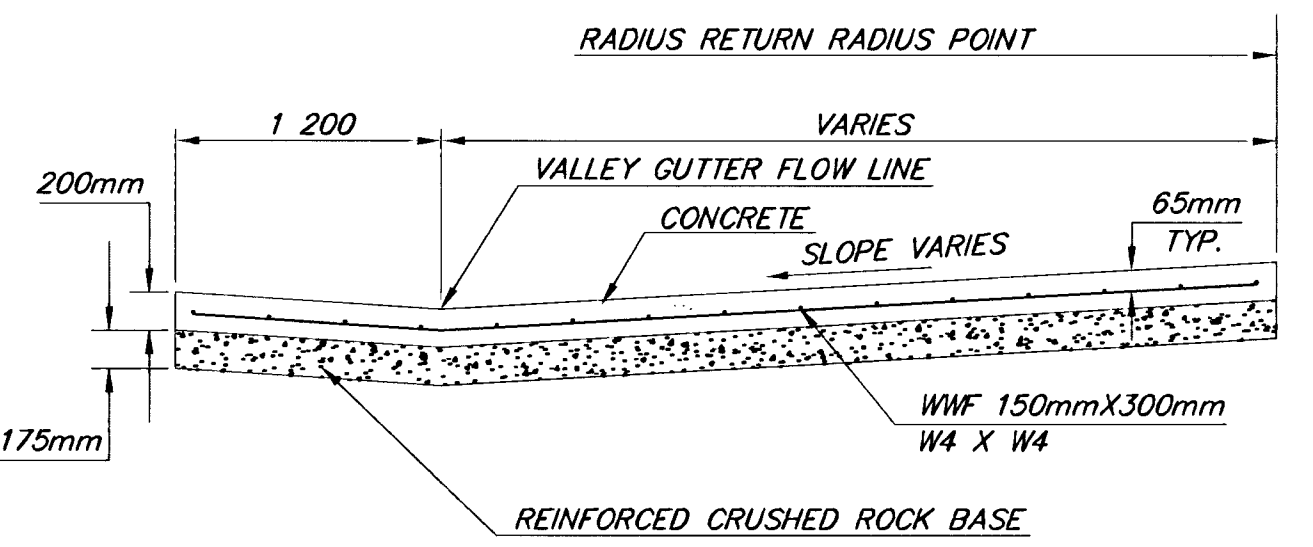
WING REINFORCING DETAIL



**SAW JOINT DETAIL
DETAIL 'A'**

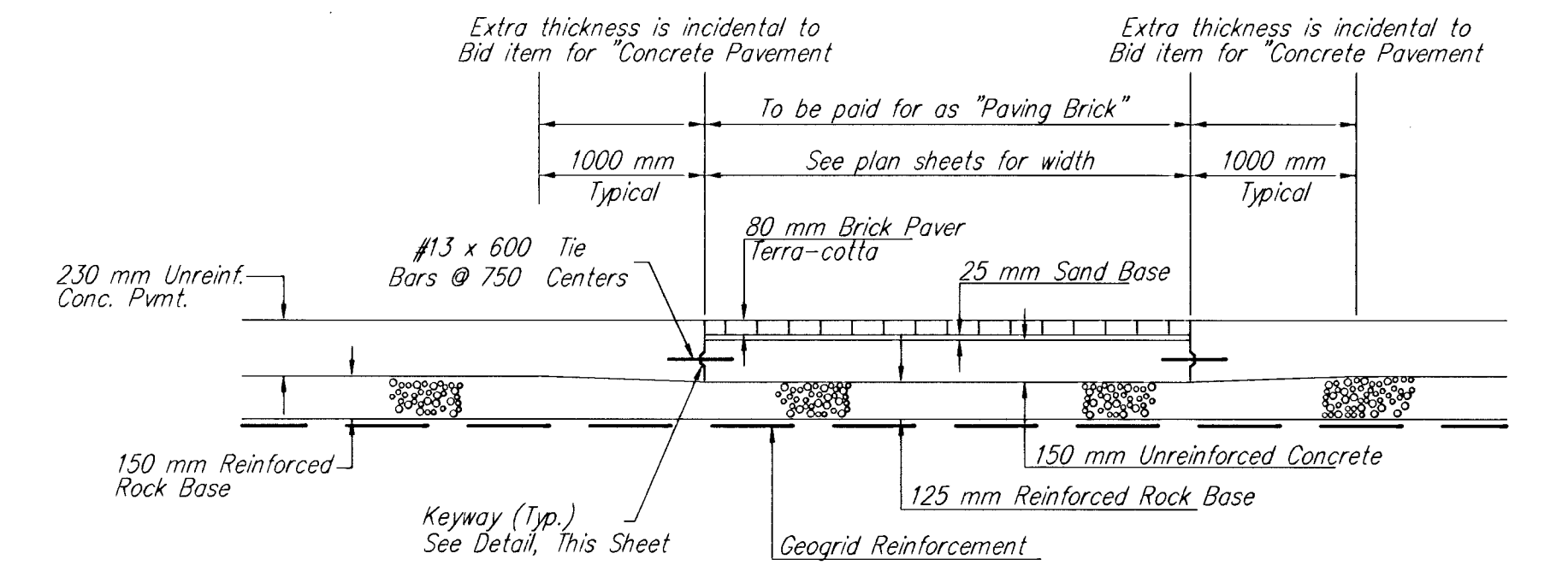


PLAN



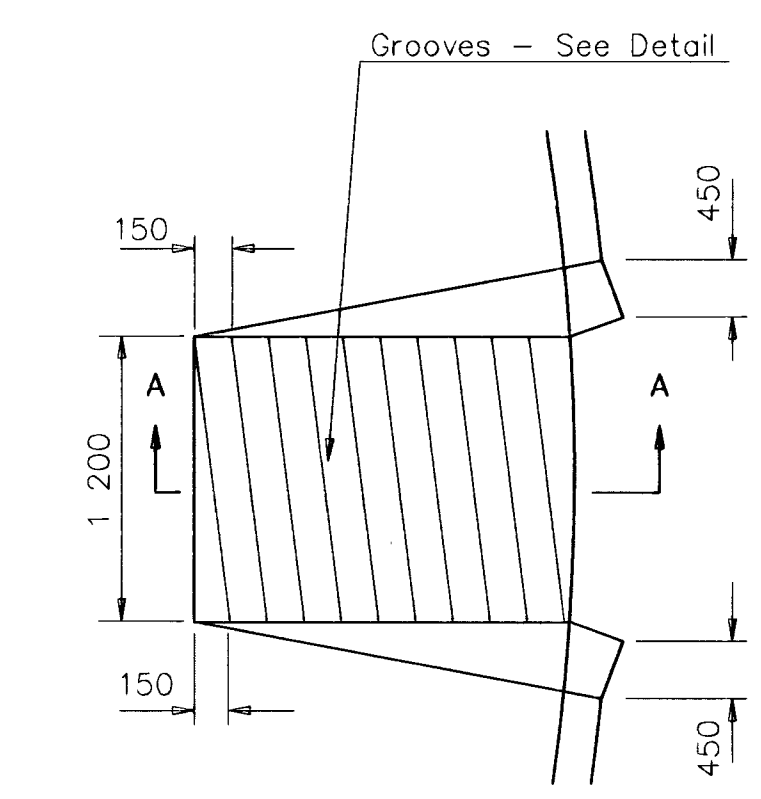
SECTION A-A

REINFORCED VALLEY GUTTER DETAIL

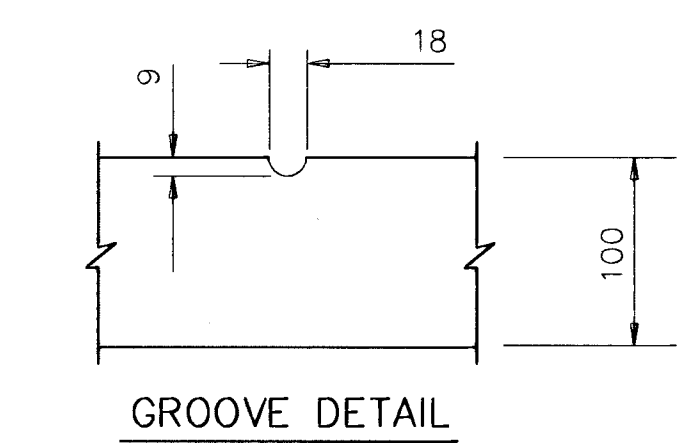


CROSSWALK BRICK PAVER SURFACE DETAIL

NOTE: Construction of the interlocking precast concrete paving stones shall conform to special provision 90P-3956.

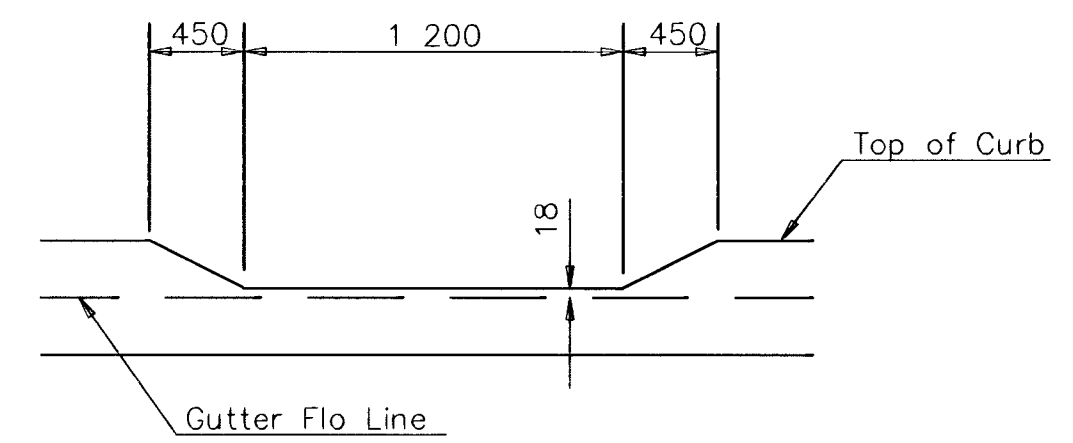
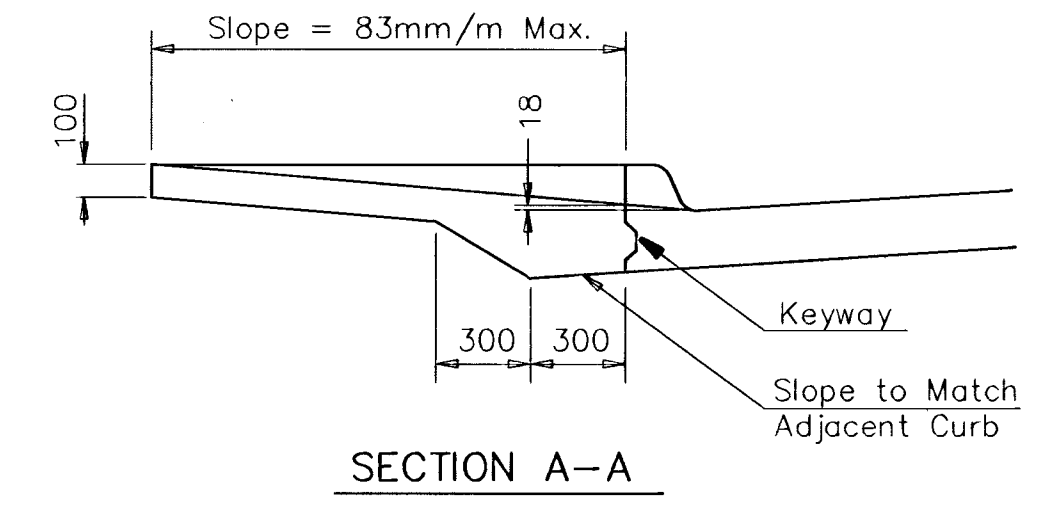


WHEELCHAIR RAMP PLAN VIEW



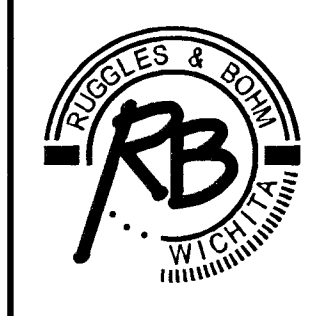
GROOVE DETAIL

WHEELCHAIR RAMP DETAIL



DEPRESSED CURB DETAIL

**VALLEY GUTTER DETAILS
WHEELCHAIR RAMP DETAILS**



Ruggles & Bohm, P.A.
Engineering, Surveying, Land Planning
924 North Main
Wichita, Kansas 67203
www.rbkansas.com
(316) 264-8008
(316) 264-4621 fax
E-mail: info@rbkansas.com

DRAWING FILE (S) Valley Gutter Details
PROJECT NUMBER 472-83685
DATE Feb. 3, 2003

DESIGN MWS	SHEET 32 OF 92
DRAWN TEB	
REVIEW	
UTILITY	