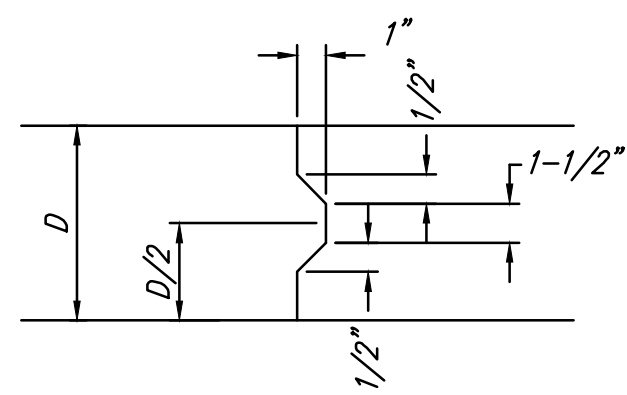
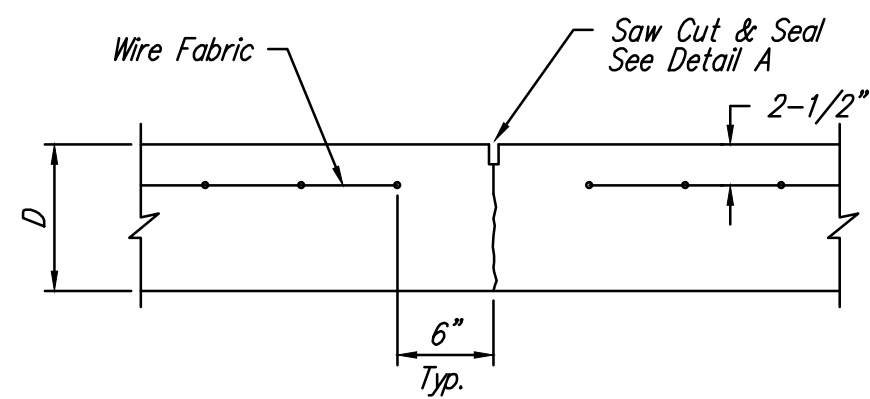


EXPANSION JOINT

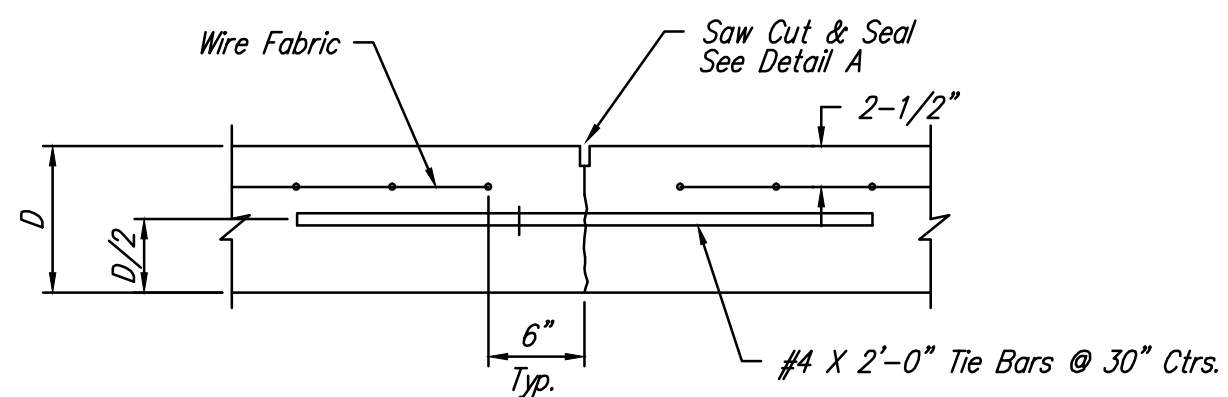
NOTE: Extra Thickness to be Subsidiary to Price of Square Yards Pavement



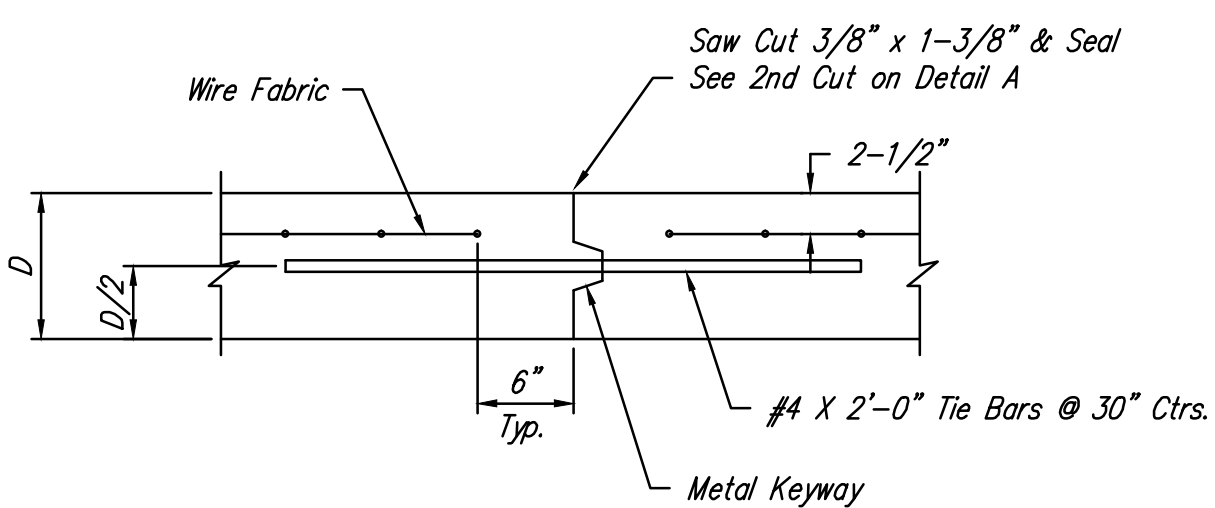
KEYWAY DETAIL



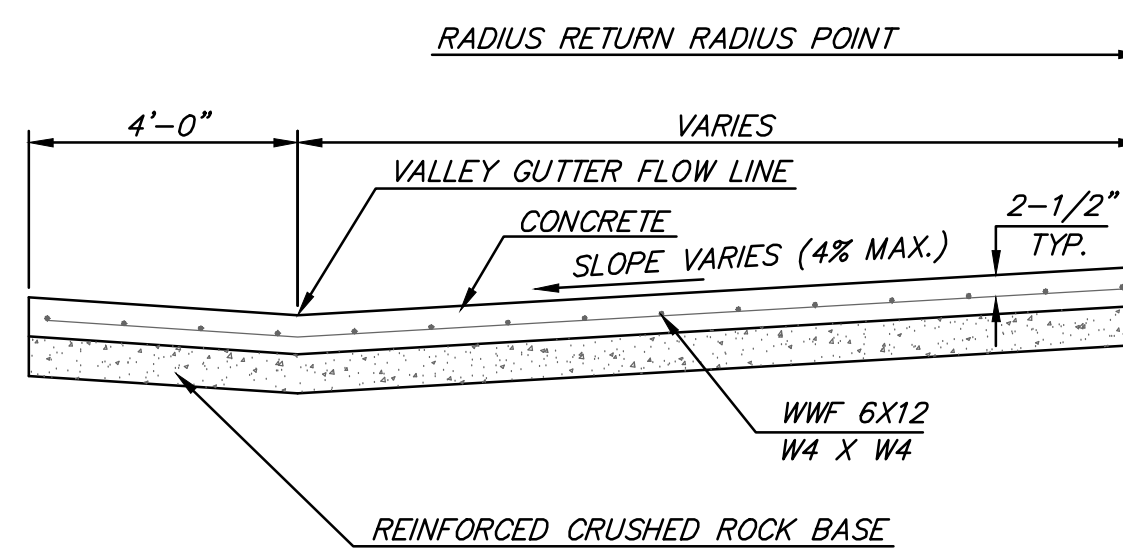
CONTRACTION JOINT DETAIL (C.J.)



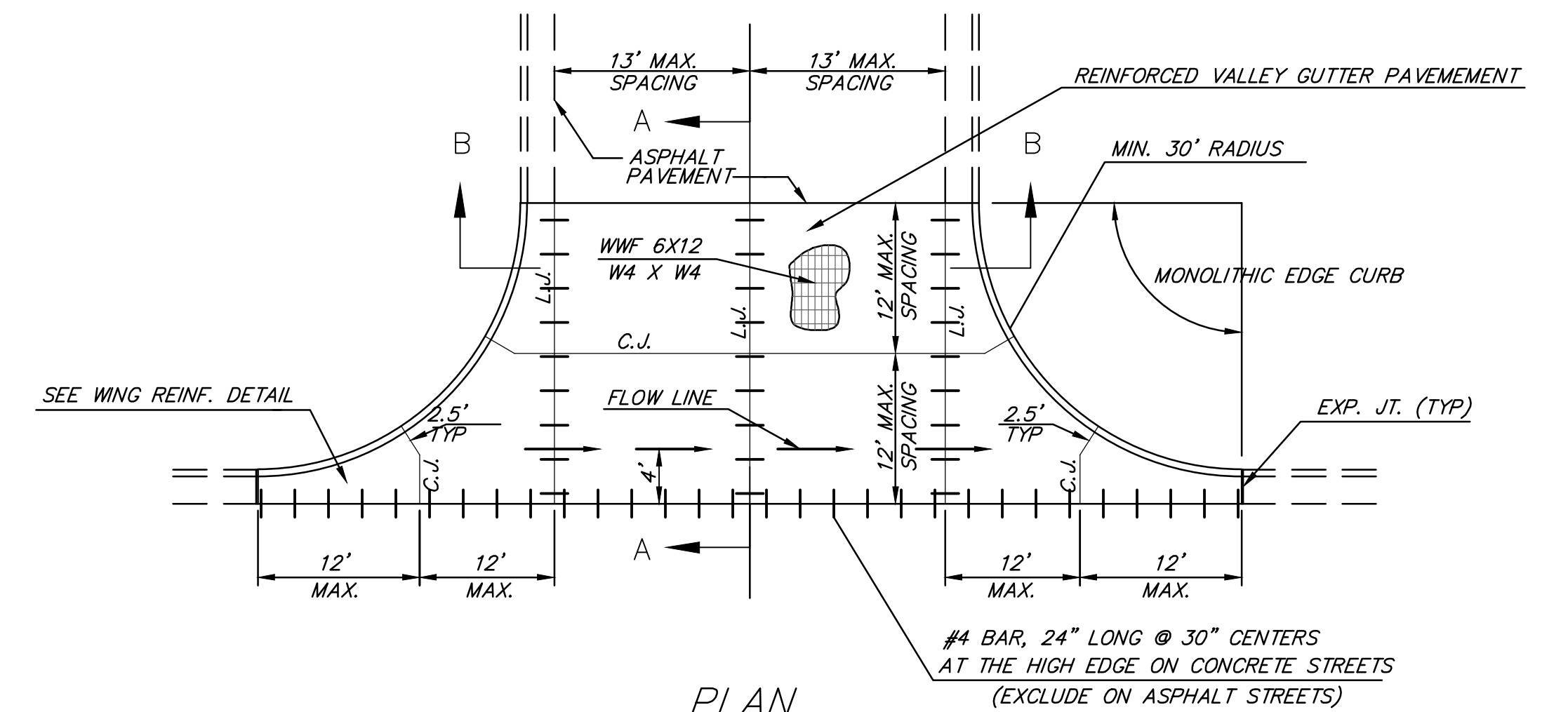
LONGITUDINAL JOINT DETAIL (L.J.)



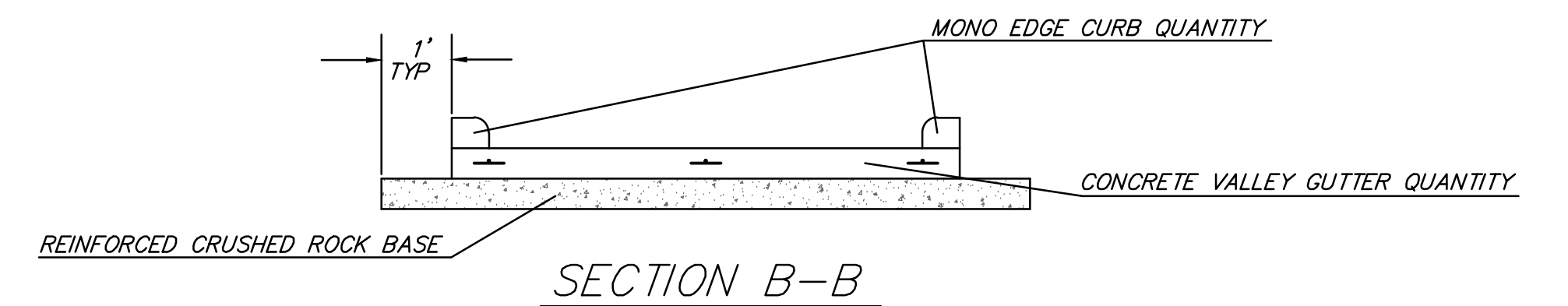
OPTIONAL LONGITUDINAL JOINT DETAIL (L.J.)



SECTION A-A

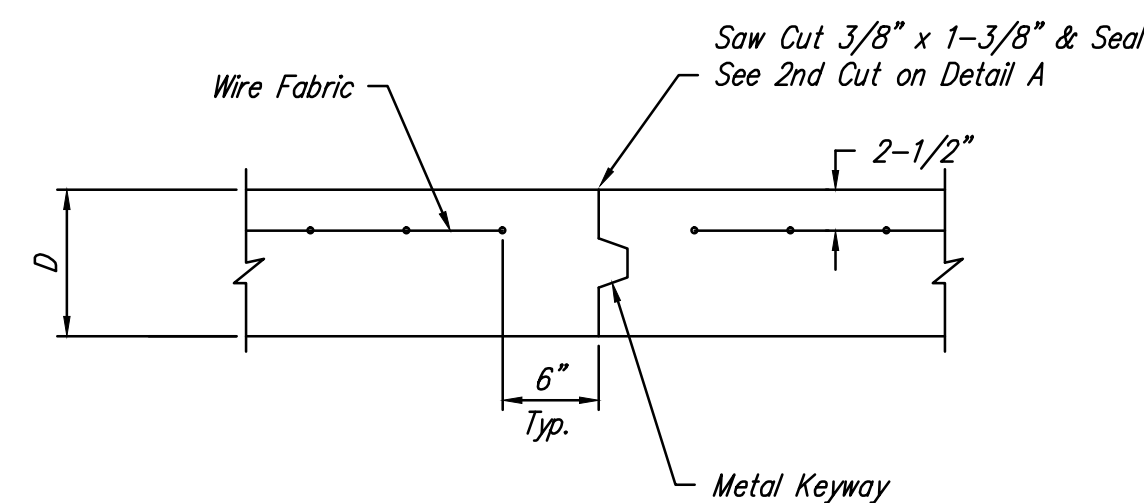


PLAN

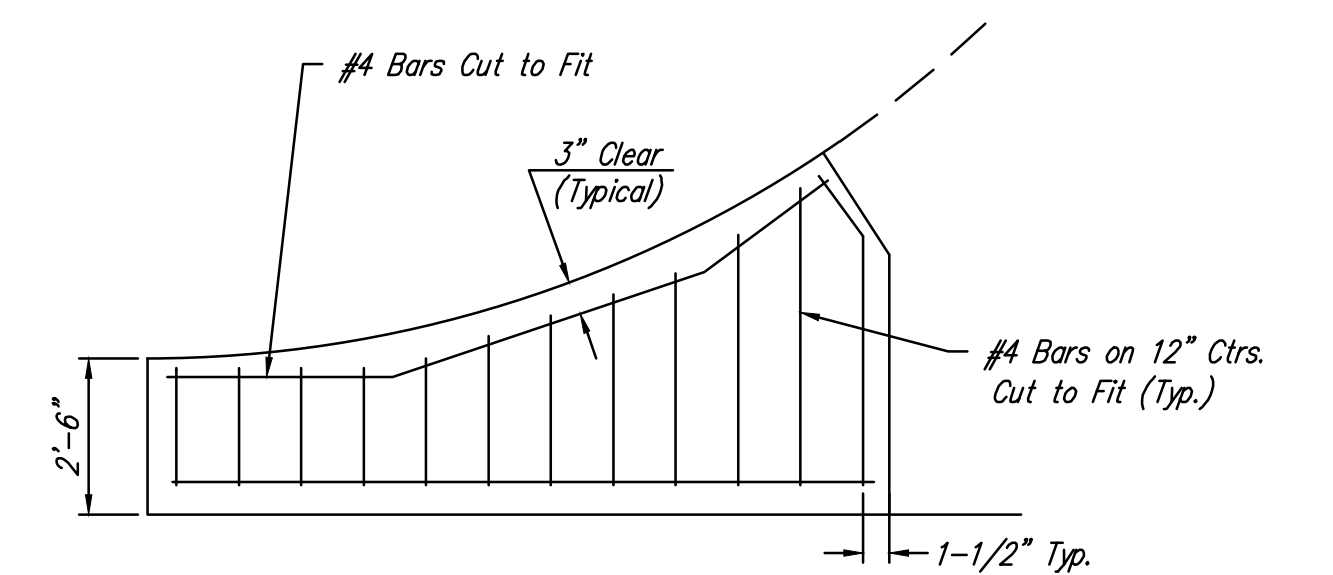


SECTION B-B

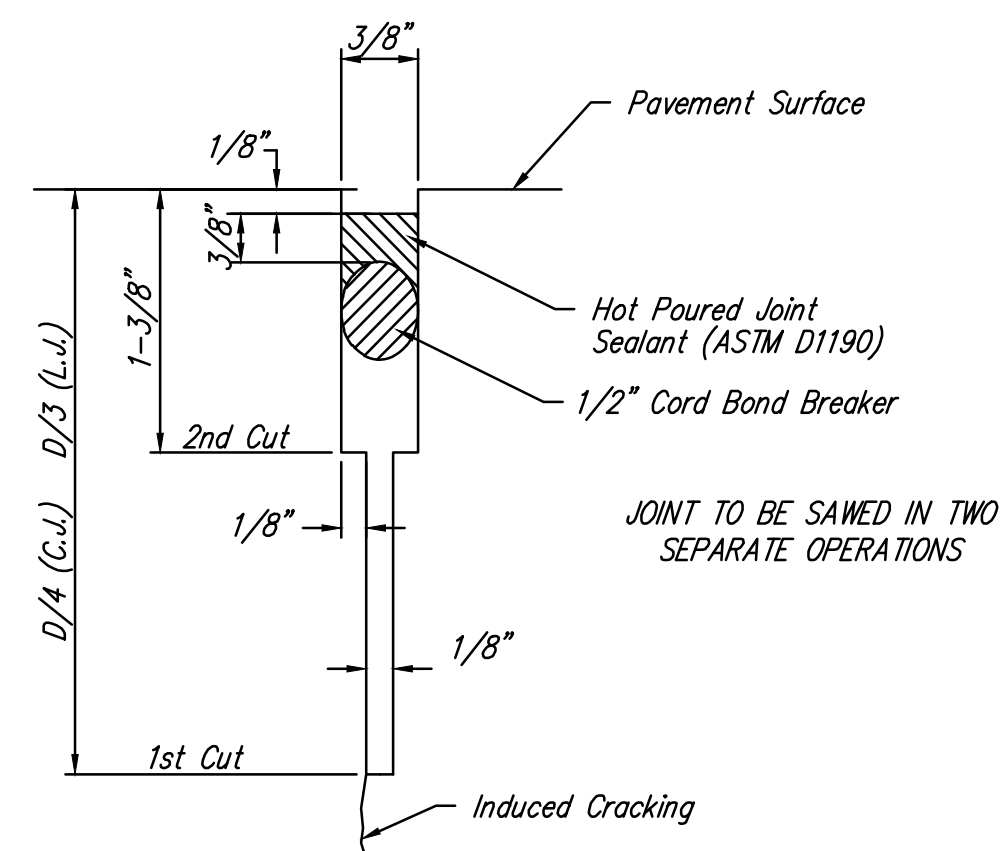
REINFORCED VALLEY GUTTER DETAIL



OPTIONAL CONTRACTION JOINT



WING REINFORCING DETAIL



SAW JOINT DETAIL (DETAIL A)

REVISION MAY 2017		SECTION B-B, ROCK EXTENDED ONE FOOT BEYOND PAVEMENT	
VALLEY GUTTER DETAILS			
CITY ENGINEER GARY JANZEN, P.E.			
PROJECT NUMBER 472-85379	OCA NUMBER 766390	DATE	
CITY ENGINEER'S OFFICE CITY HALL - SEVENTH FLOOR 455 NORTH MAIN STREET WICHITA, KANSAS 67202-1620 (316) 268-4501			SHEET 4 20