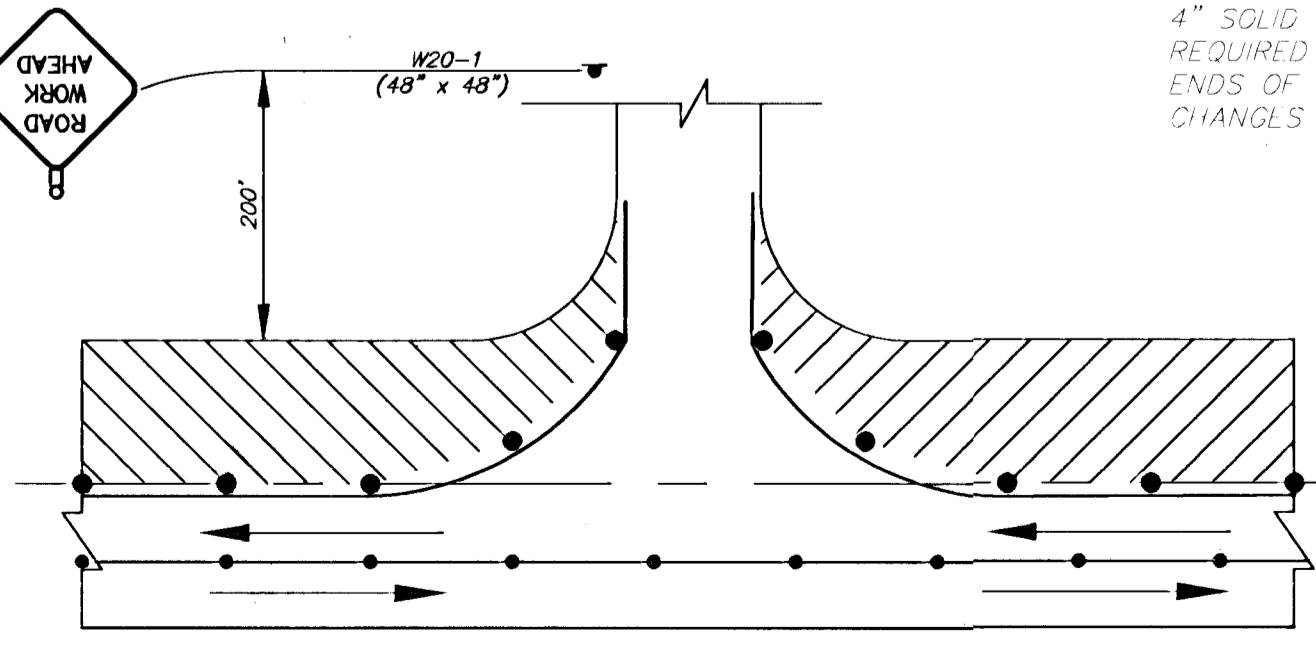
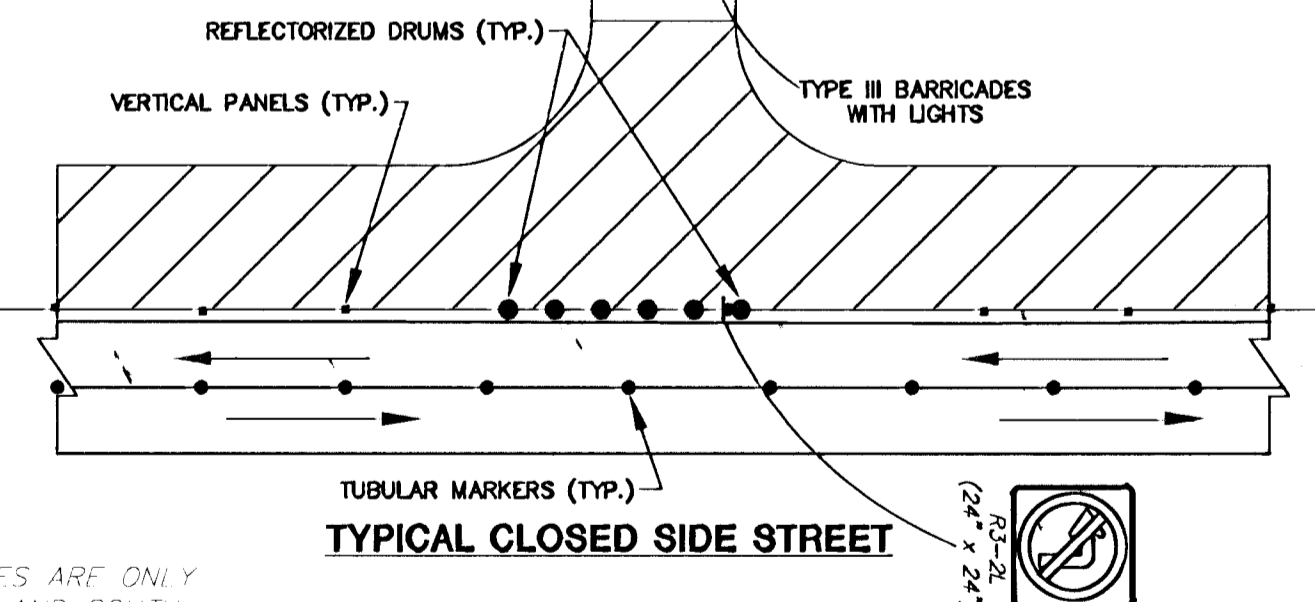


- LEGEND**
- Type III Barricades with lights
 - Mount On Type III Barricade
 - Type B Warning Light
 - One Post Sign
 - Two Post Sign
 - Traffic Lane
 - Work Area
 - Reflectorized Drum
 - Tubular Marker
 - Vertical Panel



SENECA STREET
PROJECT NAME

TRAFFIC CONTROL - PHASE I
SHEET TITLE

MKEC ENGINEERING CONSULTANTS
411 N. WEBB ROAD
WICHITA, KS. 67206
316-684-9600

DESIGN BY: MJV	DRAWN BY: GJR	CHECKED BY: GJA
DATE: OCTOBER 2001	JOB NO.: 98092	SHEET/OF: 64 / 87

6: \CTV\11\98092\TRAFCONT\98092T1.dwg Wed Oct 24 17:31:53 2001