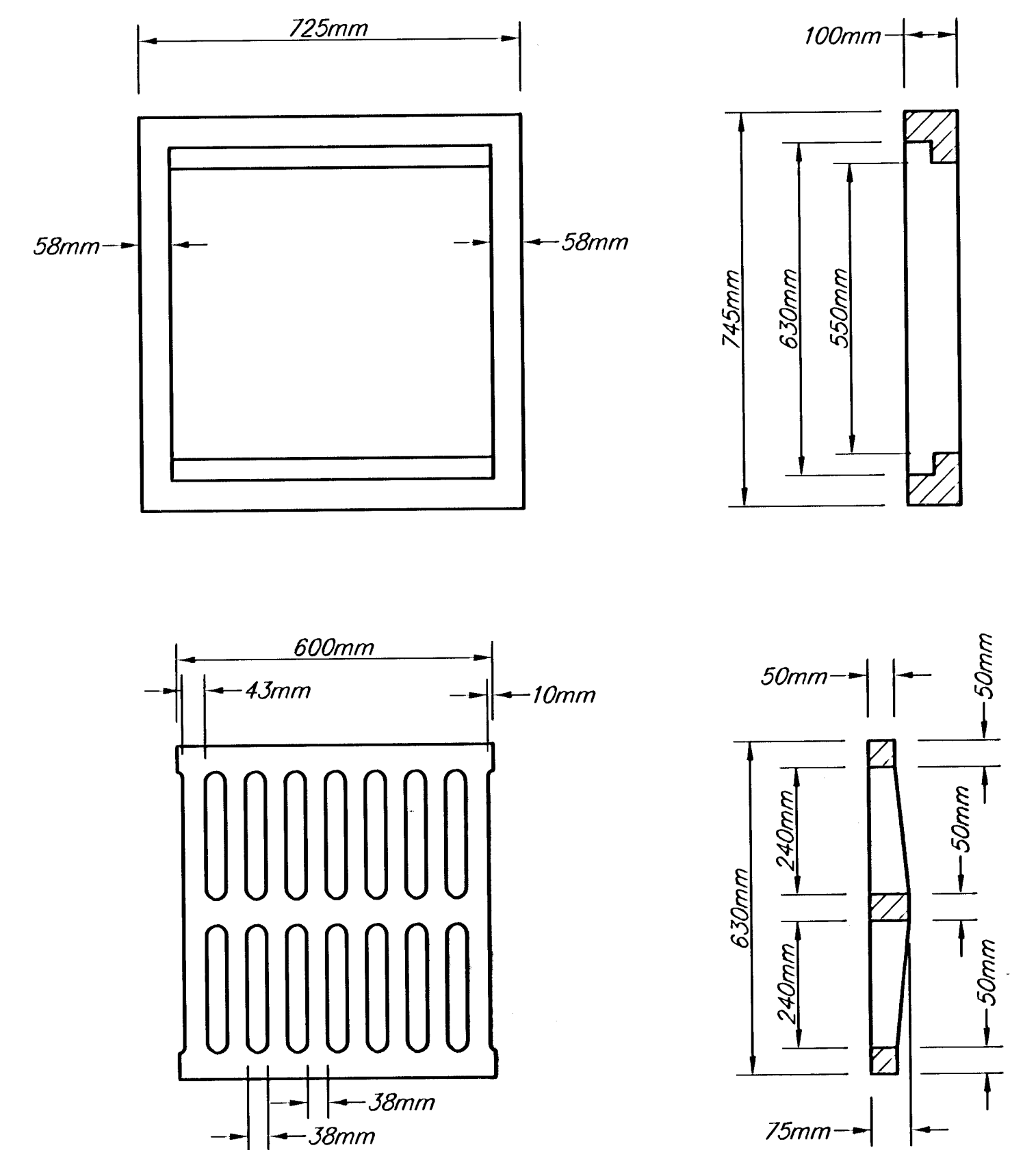
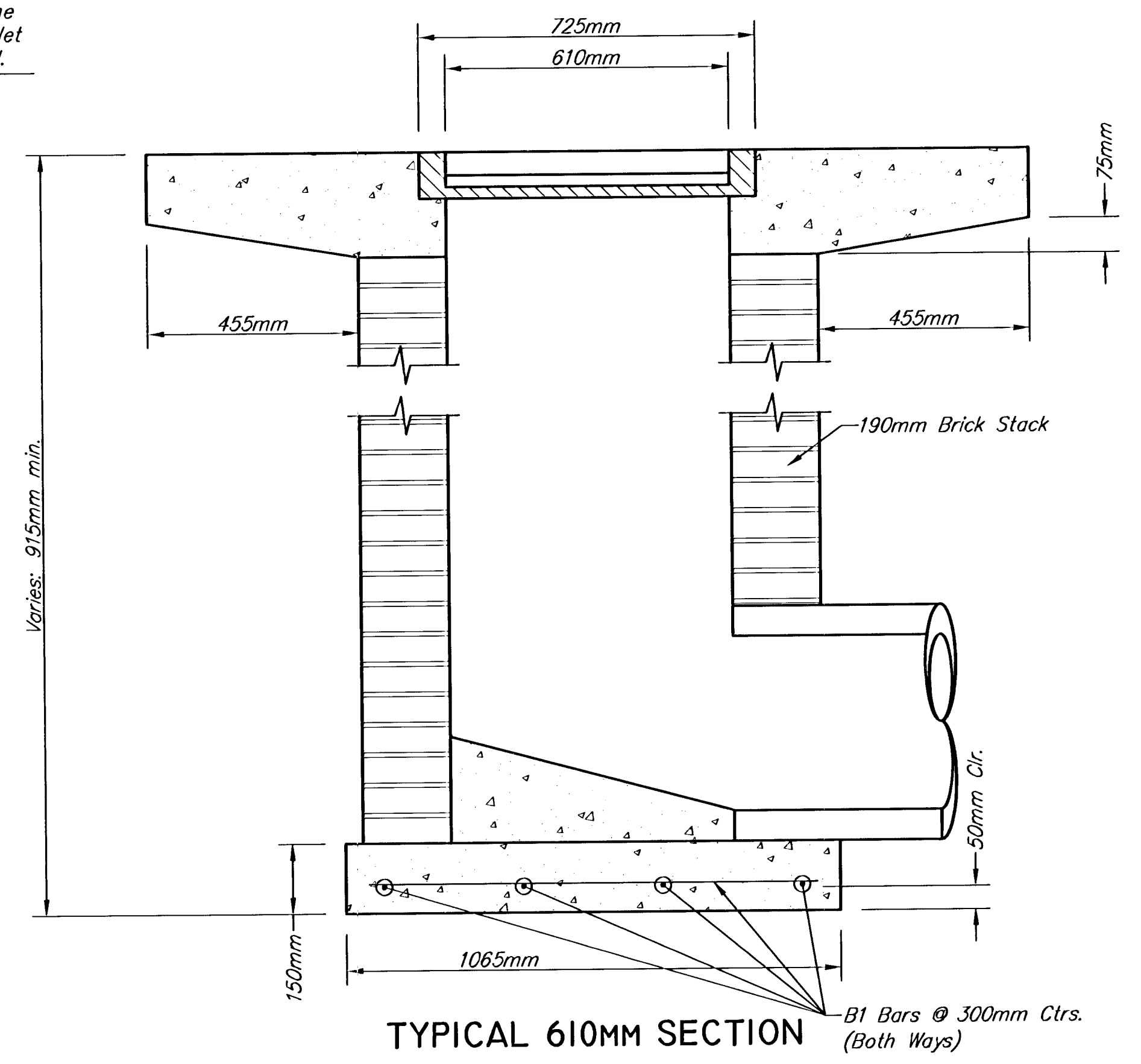
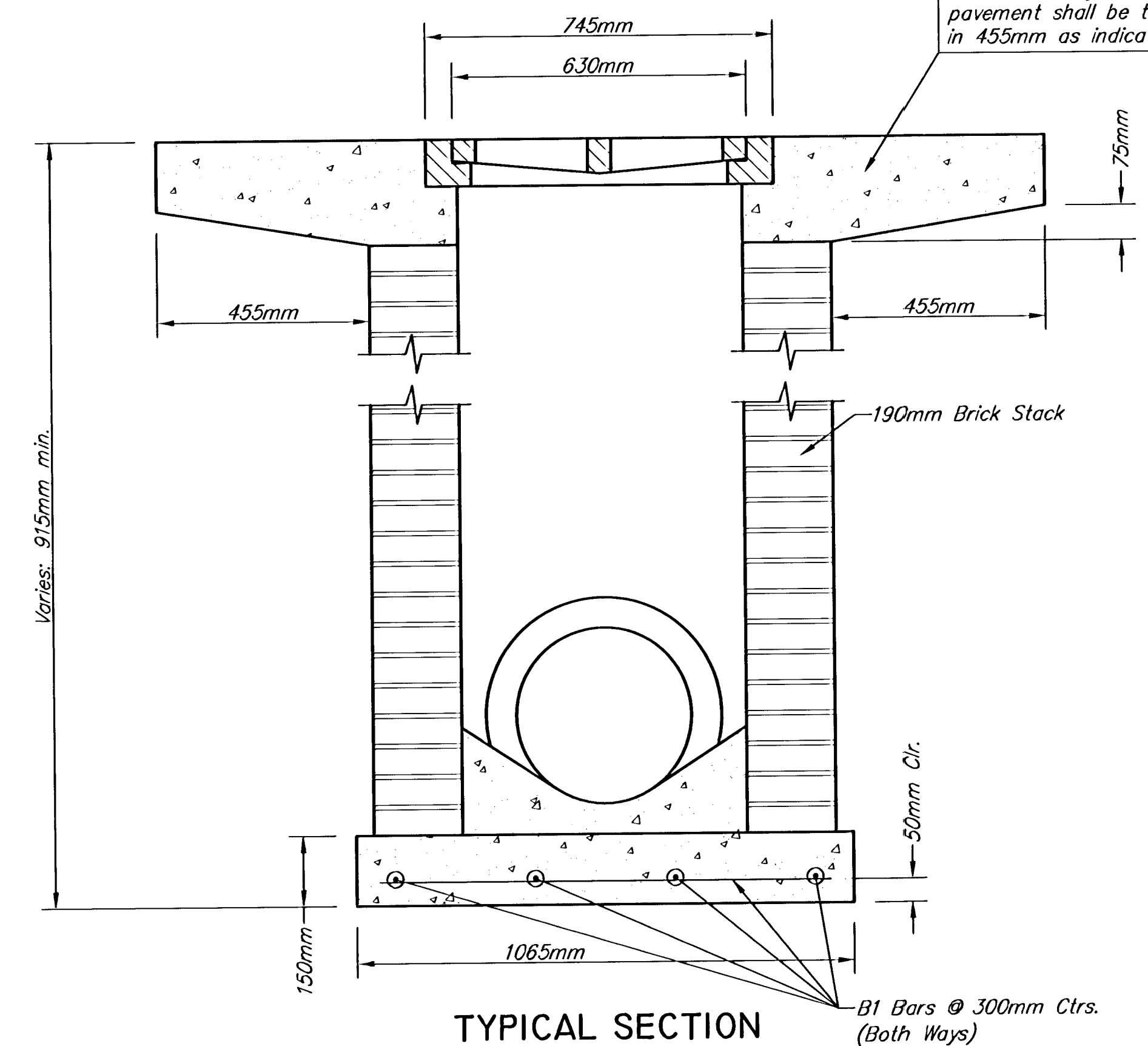


NOTE: Concrete apron shall be constructed around the inlet when inlet is located in an unpaved area. Where the inlet is adjacent to pavement, the pavement shall be tapered to the inlet in 455mm as indicated on the detail.



NOTE: Detail based on Deeter #2433 Frame and Grate. Margin of error ±5mm.

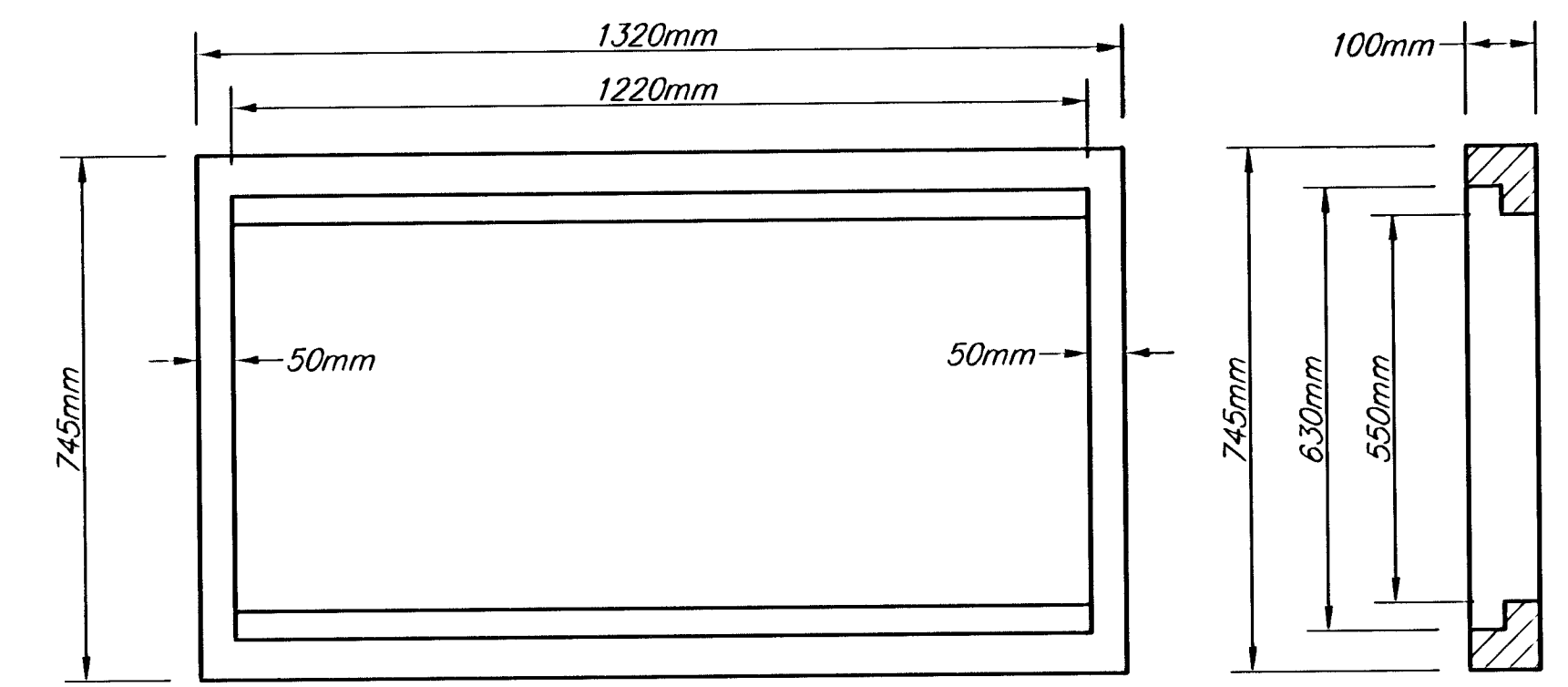
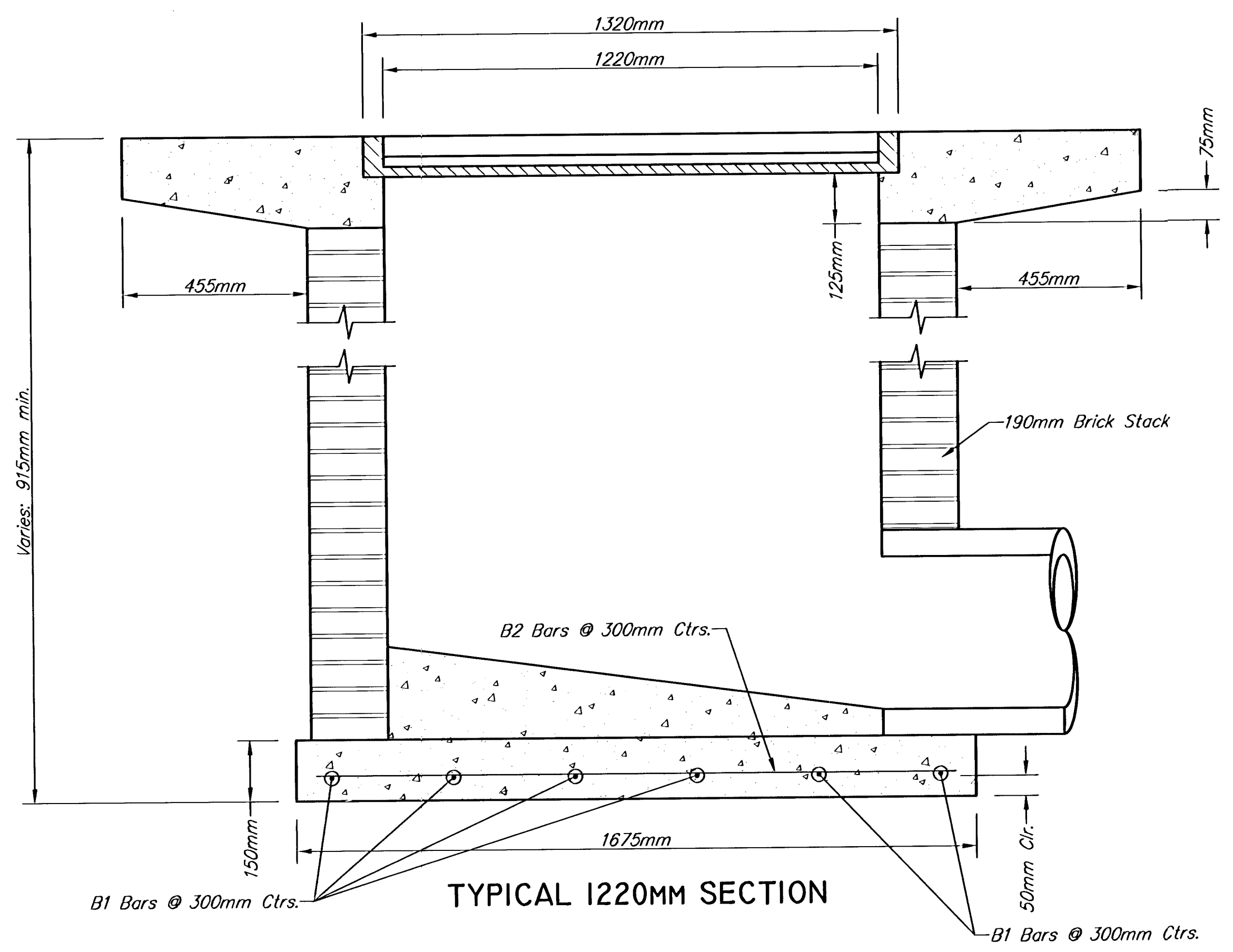
610MM X 610MM FRAME AND GRATE

Width	Length	Concrete	Cast Steel	Reinforcing Steel
610mm	610mm	0.7714m ³	234 kg	7.674 kg
610mm	1220mm	1.0169m ³	399 kg	12.019 kg

Width	Length	Bricks	Excavation
610mm	610mm	493 bricks/x*	2.772 m ³ /m + 1.826m ³
610mm	1220mm	677 bricks/x*	3.788 m ³ /m + 2.093m ³

*x=Inlet Depth-(150mm+Pavement Thickness+75mm)

TYPICAL INLET QUANTITIES



NOTE: Detail based on Deeter #2434 Frame. Margin of error ±5mm.

1220MM X 610MM FRAME AND GRATE

	Ruggles & Bohm, P.A. Engineering, Surveying, Land Planning		DESIGN	SHEET 28 OF 61
	924 North Main Wichita, Kansas 67203 www.rbkansas.com	(316) 264-8008 (316) 264-4621 fax E-mail: info@rbkansas.com	DRAWN	
DRAWING FILE		DATE		UTILITY