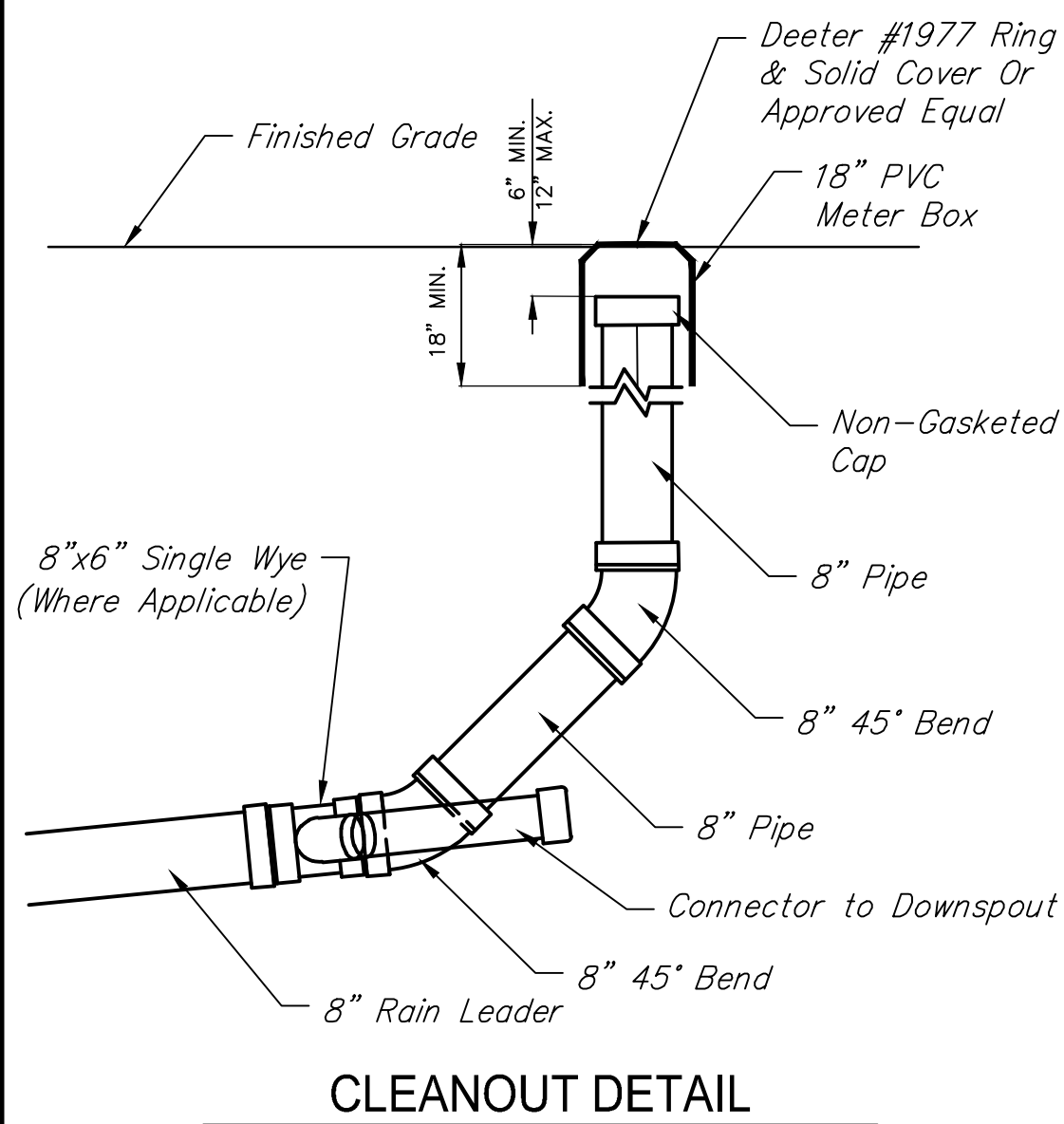


DOWNPOUT SHOE NOTES

DOWNPOUT SHOES SHALL BE NEENAH R-4926-29 SERIES WITH A BLACK POWDERCOAT FINISH.

CONTRACTOR SHALL SELECT THE APPROPRIATE SHOE FROM THE NEENAH CATALOG TO FIT EACH EXISTING ROOF DOWNPOUT.

THE BID ITEM FOR "DOWNPOUT SHOE" SHALL INCLUDE ALL COSTS ASSOCIATED WITH THE INSTALLATION OF THE SHOE AND CONNECTION TO THE PROPOSED RAIN LEADER DRAIN SYSTEM.



INSTALL 15" NYLOPLAST DRAIN BASIN
TOP ELEV. 1298.23
FL ELEV. 1294.31 (N,S)
FL ELEV. 1294.23 (W)

INSTALL 50 L.F. OF 8" DICL PIPE AND CONNECT THREE (3) RAIN LEADERS WITH 8" DICL PIPE USING "WYE" CONNECTIONS AS SHOWN. PROVIDE A CLEANOUT AT EACH END.

INSTALL 23 L.F. OF 8" DICL PIPE FROM RAIN LEADER TO DROP INLET
USFL = 1294.70 DSFL = 1294.24

INSTALL 25 L.F. OF 8" DICL PIPE FROM RAIN LEADER TO DROP INLET
USFL = 1294.74 DSFL = 1294.24

INSTALL 14 L.F. OF 8" DICL PIPE FROM RAIN LEADER TO DROP INLET
USFL = 1294.69 DSFL = 1294.41

INSTALL 14 L.F. OF 8" DICL PIPE BETWEEN BASIN AND INLET

99'N & 13'E of SEC of bldg. @ 331 N Rock Island

29 L.F. OF 8" DICL PIPE FROM RAIN LEADER TO DROP INLET
USFL = 1294.97 DSFL = 1294.41

INSTALL 22 L.F. OF 8" DICL PIPE FROM RAIN LEADER TO DROP INLET
USFL = 1294.68 DSFL = 1294.24

INSTALL 46 L.F. OF 8" DICL PIPE FROM RAIN LEADER TO DROP INLET
USFL = 1295.33 DSFL = 1294.41

15" Nyloplast drain basin - 18'W of c/l of Rock Island & 96'N of SEC of bldg @ 331 N Rock Island

10'W of c/l of Rock Island & 94'N of SEC of bldg @ 331 N Rock Island

45° bend - 27'E of NWC of building & 2'S SCL on 3rd St.

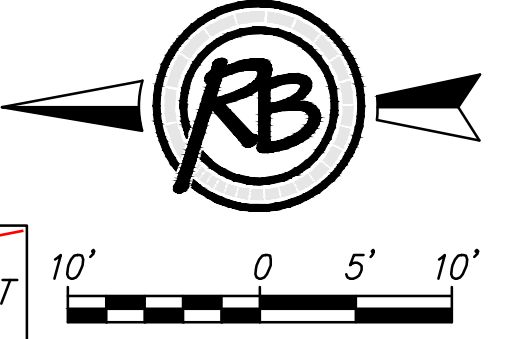
45° bend - 37.5'E of NWC of building & 12'S SCL on 3rd St.

Cleanout - 28'W & 33'S of c/l of Mosley & 3rd St

INSTALL WHEELCHAIR RAMP W/ DETECTABLE WARNINGS

INSTALL 99 L.F. OF 8" DICL PIPE AND CONNECT TWO (2) RAIN LEADERS WITH 8" DICL PIPE USING "WYE" CONNECTIONS AS SHOWN. CONNECT TO EXISTING CURB INLET. PROVIDE A CLEANOUT AT EAST END.

INSTALL 826 S.F. CONCRETE SIDEWALK AS INDICATED (6' WIDE, 4" THICK)



NOTES:
REGRADE AREA BETWEEN SIDEWALK AND CURB TO PROVIDE POSITIVE DRAINAGE.
FIELD ADJUST RAIN LEADER DEPTH CLEAR OF EXISTING UNDERGROUND ELECTRIC.

MOSLEY & ROCK ISLAND Rock Island Rain Leaders		RUGGLES & BOHM KENNETH W. LEE 15373 12-2-15 PROFESSIONAL ENGINEER	DATE Dec. 2, 2015
			DESIGN KWL/TR
		<small>ENGINEERING SURVEYING LANDSCAPE ARCHITECTURE GOVERNMENT 924 NORTH MAIN WICHITA, KANSAS 67203 P (316) 264-8008 F (316) 264-4621 WWW.RUGGLESANDBOHM.COM</small>	DRAWN DS
PROJECT NUMBER 472-85915	DRAWING FILE 4531T		REVIEW 9-25-2015
		DIWG. SCALE 1" = 20'	OF 59
4531T Engineering Base [Rock Island Rain Leaders]			

F:\Projects\Projects 4500-4599\4531T (Mosley and Rock Island - Old Town)\4531T Engineering Base.dwg