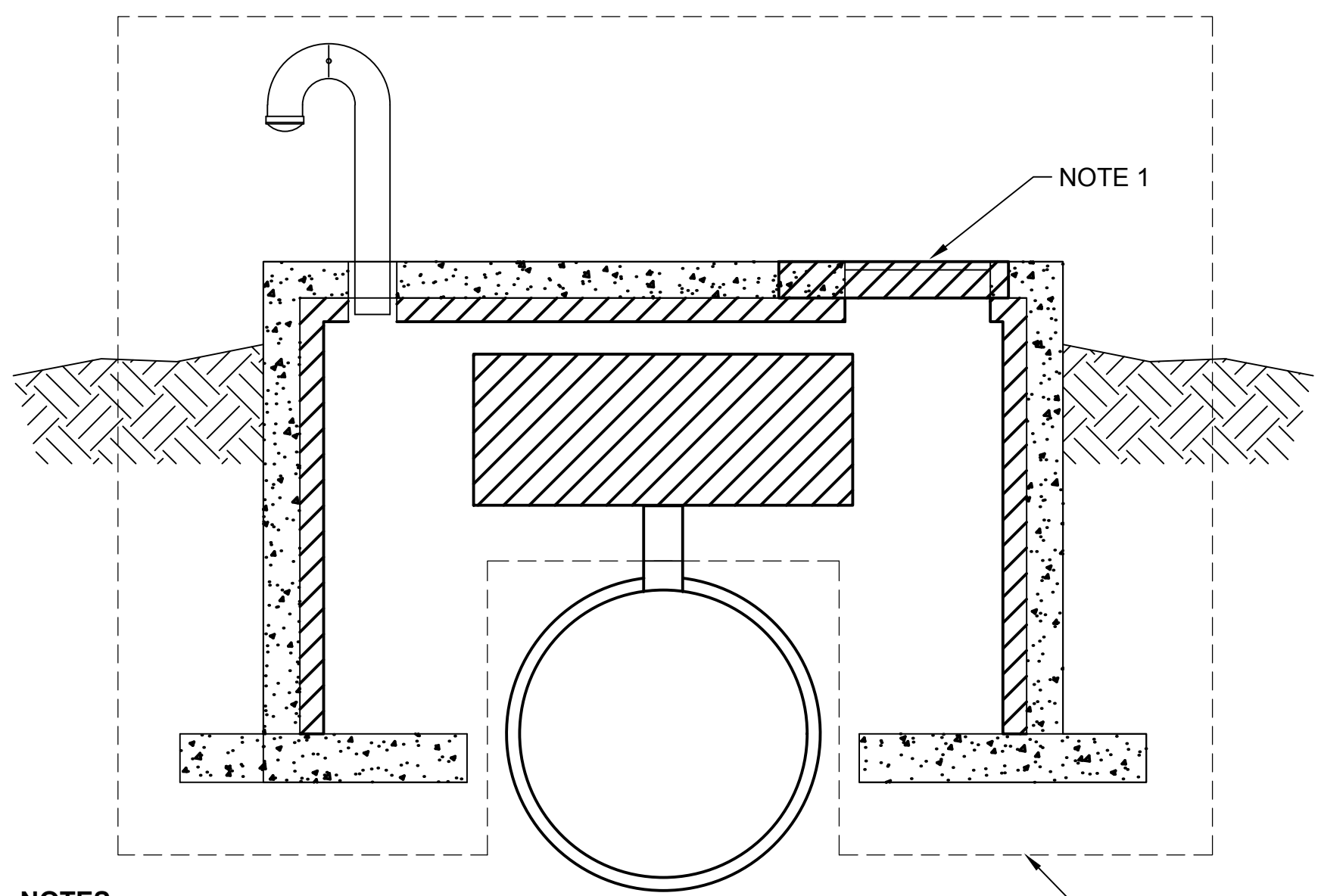


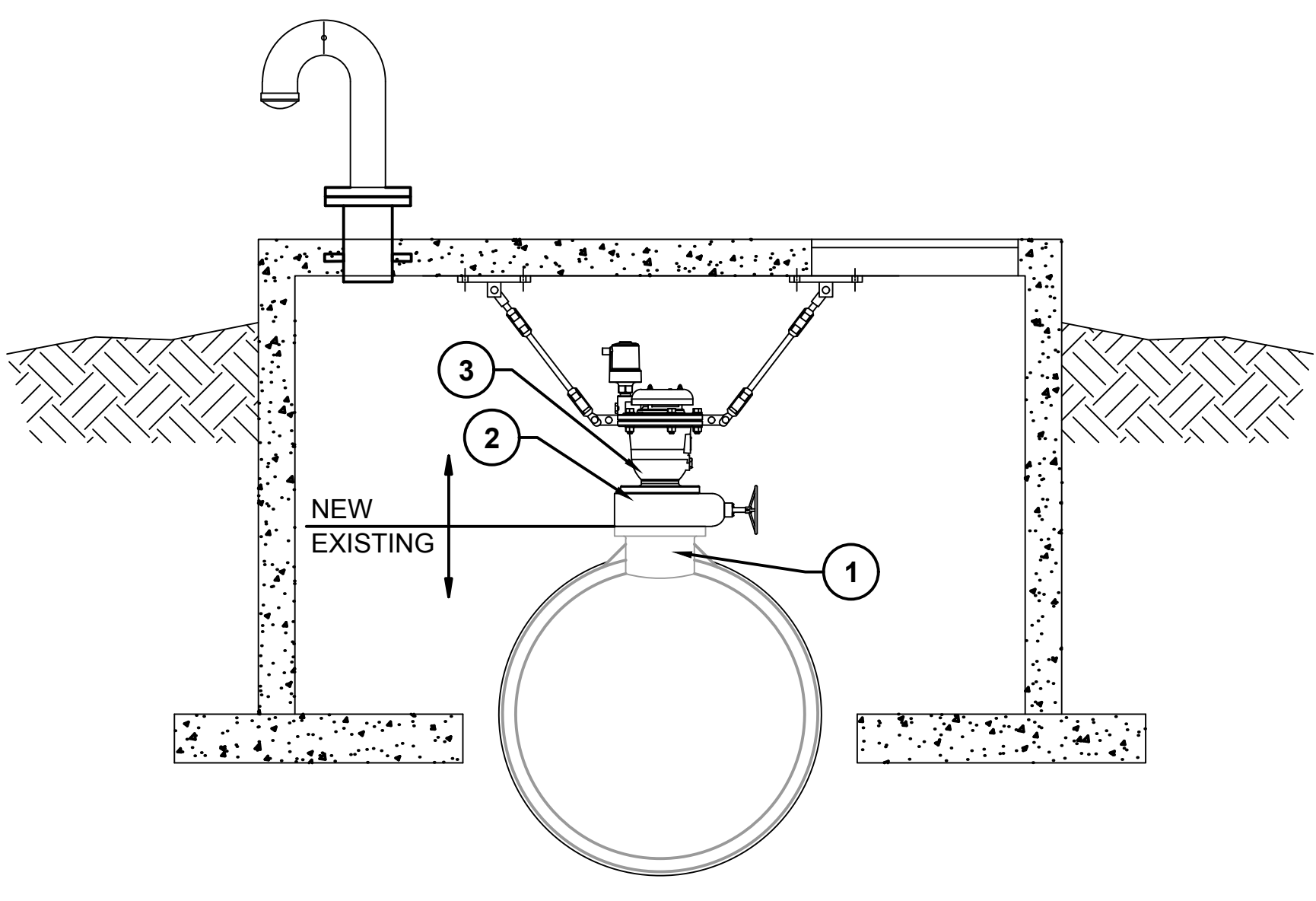
no.	date	by	ckd	description
0	11/8/17	CAM	LJK	ISSUED FOR BID

VAULT	①	②	③
1	4-INCH	4-INCH FLANGED GV	4-INCH COMBINATION AIR/VACUUM VALVE
2	2-INCH	2-INCH THREADED BALL VALVE	2-INCH AIR/VACUUM VALVE
3	4-INCH	4-INCH FLANGED GV	4-INCH COMBINATION AIR/VACUUM VALVE
3A	10-INCH	10-INCH FLANGED GV	10-INCH COMBINATION AIR/VACUUM VALVE
4	10-INCH	10-INCH FLANGED GV	10-INCH COMBINATION AIR/VACUUM VALVE
5	6-INCH	6-INCH FLANGED GV	6-INCH COMBINATION AIR/VACUUM VALVE
6	2-INCH	2-INCH THREADED BALL VALVE	2-INCH AIR/VACUUM VALVE
7	2-INCH	2-INCH THREADED BALL VALVE	2-INCH AIR/VACUUM VALVE
8	2-INCH	2-INCH THREADED BALL VALVE	2-INCH AIR/VACUUM VALVE
9	4-INCH	4-INCH FLANGED GV	4-INCH COMBINATION AIR/VACUUM VALVE
10	10-INCH	10-INCH FLANGED GV	10-INCH COMBINATION AIR/VACUUM VALVE
11	4-INCH	4-INCH FLANGED GV	4-INCH COMBINATION AIR/VACUUM VALVE
12	2-INCH	2-INCH THREADED BALL VALVE	2-INCH AIR/VACUUM VALVE
13	2-INCH	2-INCH THREADED BALL VALVE	2-INCH AIR/VACUUM VALVE
14	4-INCH	4-INCH FLANGED GV	4-INCH COMBINATION AIR/VACUUM VALVE
15	4-INCH	4-INCH FLANGED GV	4-INCH COMBINATION AIR/VACUUM VALVE
16	2-INCH	2-INCH THREADED BALL VALVE	2-INCH AIR/VACUUM VALVE
17	8-INCH	8-INCH FLANGED GV	8-INCH COMBINATION AIR/VACUUM VALVE
18	10-INCH	10-INCH FLANGED GV	10-INCH COMBINATION AIR/VACUUM VALVE
19	2-INCH	2-INCH THREADED BALL VALVE	2-INCH AIR/VACUUM VALVE
20	2-INCH	2-INCH THREADED BALL VALVE	2-INCH AIR/VACUUM VALVE
21	4-INCH	4-INCH FLANGED GV	4-INCH COMBINATION AIR/VACUUM VALVE
22	10-INCH	10-INCH FLANGED GV	10-INCH COMBINATION AIR/VACUUM VALVE
23	4-INCH	4-INCH FLANGED GV	4-INCH COMBINATION AIR/VACUUM VALVE
24	8-INCH	8-INCH FLANGED GV	8-INCH COMBINATION AIR/VACUUM VALVE
25	2-INCH	2-INCH THREADED BALL VALVE	2-INCH AIR/VACUUM VALVE
26	4-INCH	4-INCH FLANGED GV	4-INCH COMBINATION AIR/VACUUM VALVE
27	10-INCH	10-INCH FLANGED GV	10-INCH COMBINATION AIR/VACUUM VALVE
28	8-INCH	8-INCH FLANGED GV	8-INCH COMBINATION AIR/VACUUM VALVE
29	4-INCH	4-INCH FLANGED GV	4-INCH COMBINATION AIR/VACUUM VALVE
30	8-INCH	8-INCH FLANGED GV	8-INCH COMBINATION AIR/VACUUM VALVE
STA. 42.04	8-INCH	8-INCH FLANGED GV	8-INCH COMBINATION AIR/VACUUM VALVE



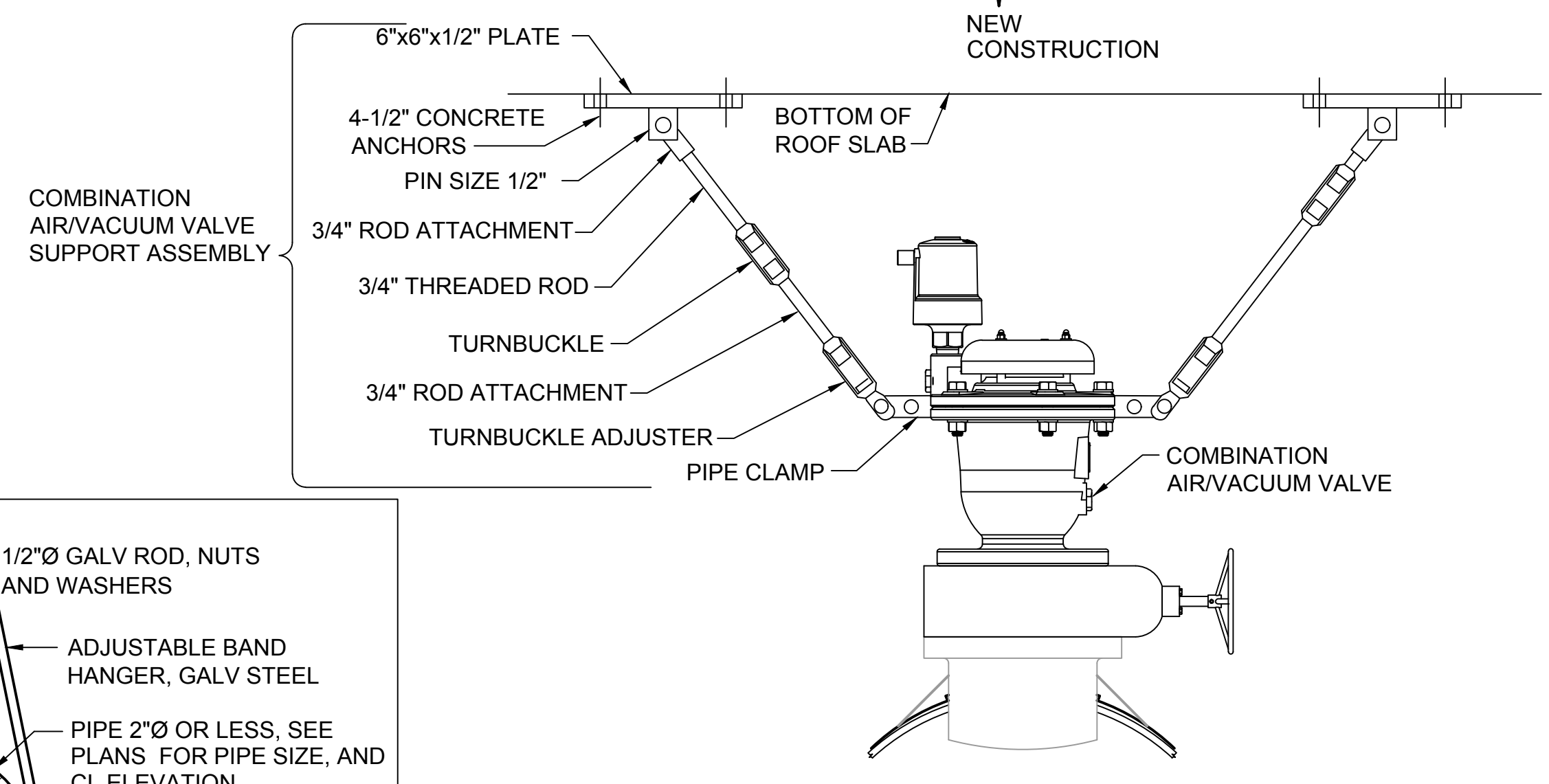
- NOTES:**
1. SAWCUT A 2'-6"x3'-0" OPENING FOR REMOVAL OF EQUIPMENT AND INSTALLATION OF HATCH.
 2. ALTERNATES 1, 2, AND 3 FOR VAULTS 14, 19, AND 21. BID ALTERNATES 1, 2 AND 3 SHALL BE FOR COMPLETE DEMOLITION AND REPLACEMENT OF THESE VAULTS.
 3. VAULTS SHALL BE CLEANED, WALLS SCRAPPED TO BE FREE OF ADHESIVE, AND CLEARED OF ALL DEBRIS.
 4. DEMO ALL INSULATION AS INDICATED.

SECTION A
DEMOS OF VAULT INTERIOR
 NOT TO SCALE

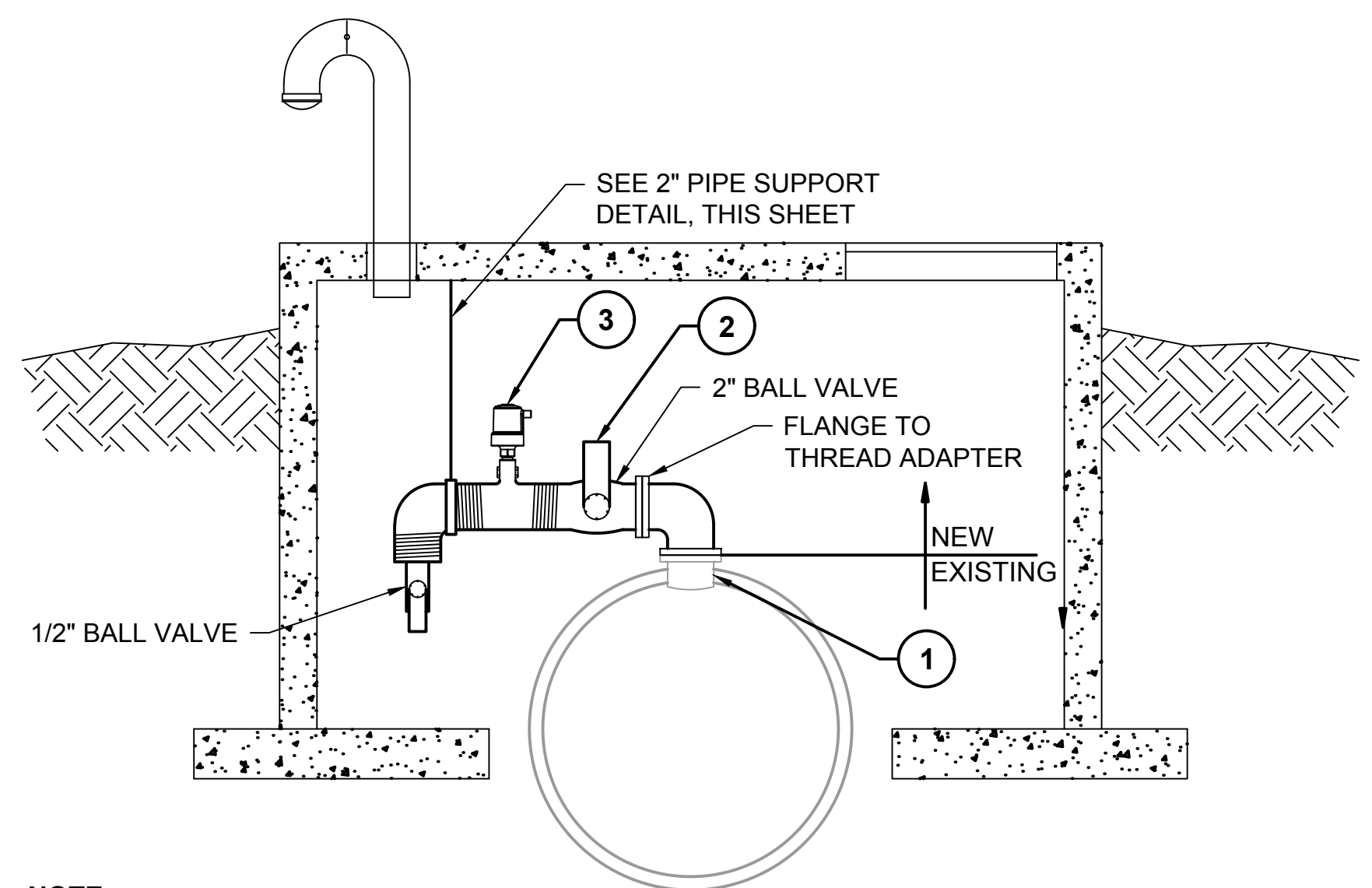


- NOTE:**
1. THIS SHALL APPLY TO VAULTS 1, 3, 3A, 4, 5, 9, 10, 11, 14, 15, 17, 18, 21, 22, 23, 24, 26, 27, 28, 29, 30, AND STA. 42.04

SECTION B
4-INCH AND LARGER OUTLET PIPING
 NOT TO SCALE

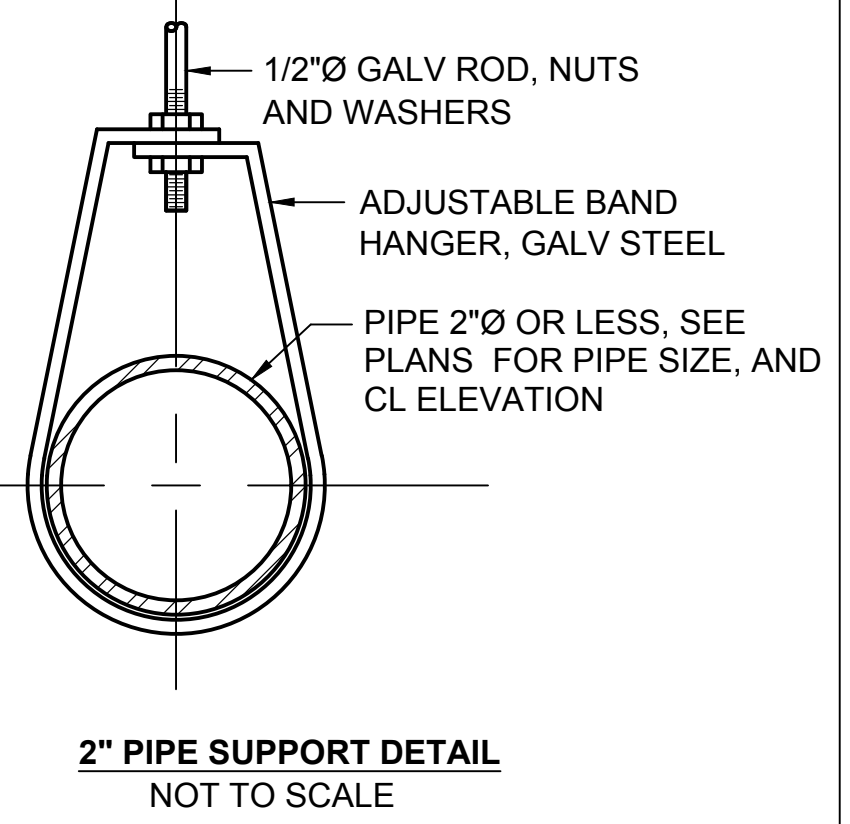


COMBINATION AIR/VACUUM VALVE SUPPORT 4\"/>



- NOTE:**
1. THIS SHALL APPLY TO VAULTS 2, 6, 7, 8, 12, 13, 16, 19, 20, 25
 2. ARV AND ASSOCIATED PIPING ENLARGED FOR CLARITY.
 3. PIPE ELBOWS, TEES, AND NIPPLES SHALL BE SCHEDULE 40 CARBON STEEL.
 3. ALL NEW PIPING SHALL BE COATED PER E-1 ON A001

SECTION C
2-INCH OUTLET PIPING
 NOT TO SCALE



2\"/>

Scale For Microfinishing

Inches

COPYRIGHT © 2017 BURNS & MCDONNELL ENGINEERING COMPANY, INC.

BURNS & MCDONNELL
 9400 WARD PARKWAY
 KANSAS CITY, MO 64114
 816-333-9400
 LICENSEE NO. E-65

date	designed	detailed
SEPTEMBER 11, 2017	C. MAGES	B. FIFIELD
checked		
L. KLEIN		

City of Wichita, Kansas
 SEDGWICK, KANSAS

CHENEY TRANSMISSION LINE
 INTERIOR MODIFICATIONS

project	contract
97687	
drawing	rev.
D002	0
sheet	of sheets
file 97687_D002.DWG	