

FHWA REGION NO.	STATE	PROJECT NO.	YEAR	SHEET NO.	TOTAL SHEETS
7	KANSAS	87N-0129-01	1999	65	131

GENERAL: The entire disturbed area, excepting the paved or surfaced areas, steep rocky slopes and areas of undisturbed native sod or other desirable vegetation shall be fertilized (limed when required), seeded, and mulched. Soil preparation shall conform to the Standard Specifications.

Temporary seeding shall be done during any time of the year that the soil can be cultivated. After the temporary seeding has been completed on the entire project, a permanent seeding shall be done by another project during the normal seeding season.

The Contractor will be required to finish areas of excavation, borrow and embankment in accordance with the specifications. Areas that require installation or construction of temporary water pollution control items will be finished in reasonable close conformity to the alignment, grade and cross section shown on the plans or as established by the Engineer.

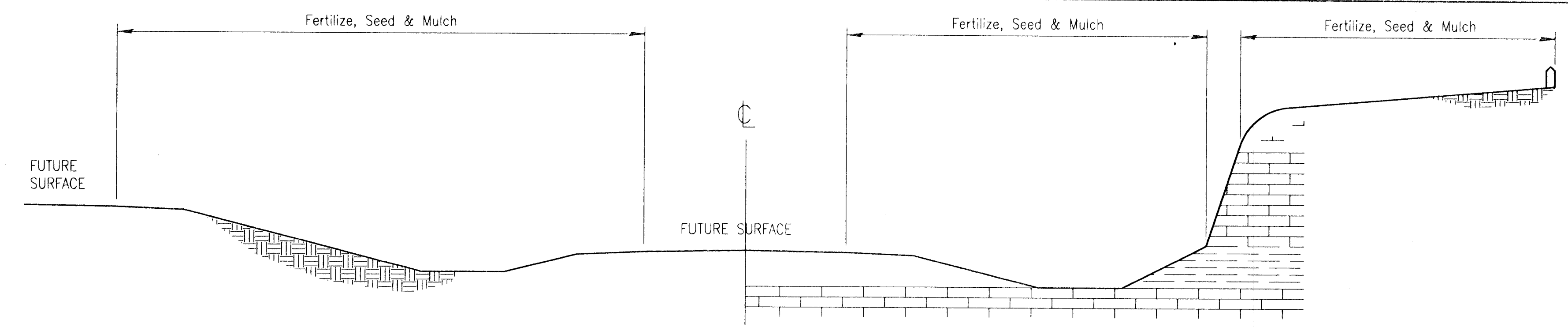
FERTILIZER: A ratio and application rate that equals or exceeds the required minimum rate per hectare of N, P₂O₅, K₂O listed in Summary of Quantities will be acceptable.

MULCHING: Mulch shall be spread uniformly over all disturbed areas and punched in the soil, unless otherwise noted on the plans. The rate of application per hectare, thickness in place, for the various mulching materials are as follows:

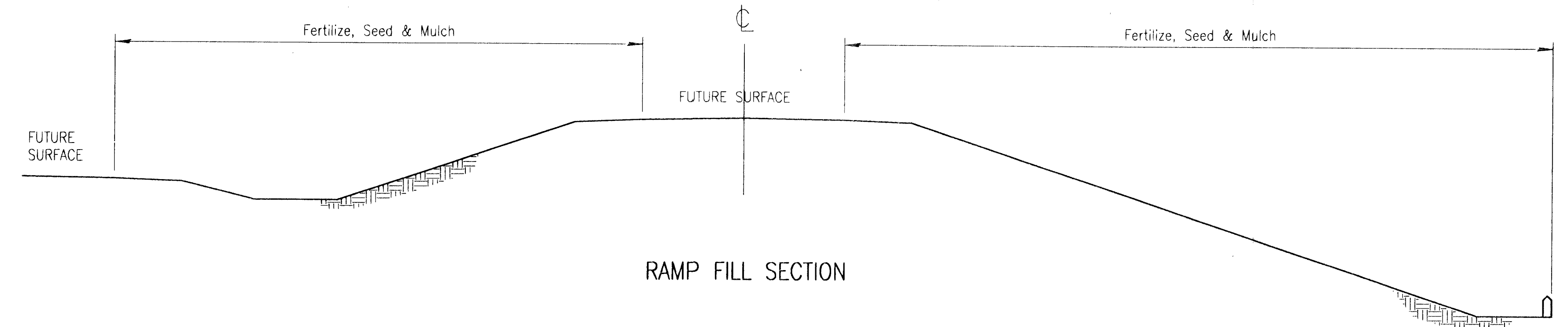
Prairie Hay	3,900 - 5,000 Kilograms per Hectare	= 40mm loose depth spread uniformly over hectare.
Bromegrass	3,900 - 5,000 Kilograms per Hectare	= 40mm loose depth spread uniformly over hectare.
Wheat or Oats Straw	3,400 - 4,500 Kilograms per Hectare	= 80mm loose depth spread uniformly over hectare.
Wood Chips	9,000 - 11,200 Kilograms per Hectare	= 25-50mm loose depth spread uniformly over hectare.
Wood Fiber	1,700 - 2,200 Kilograms per Hectare	= loose depth spread uniformly over hectare.
Other vegetative mulches (Acceptable only with the Engineer's concurrence).		

The above rates are a guide. It will be at the discretion of the Engineer to determine what rate is sufficient for adequate protection of newly seeded areas.

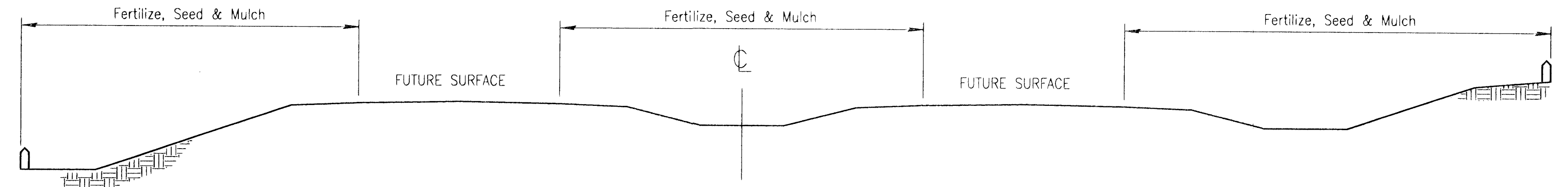
The amount of mulch in the bid quantities is estimated. The total mulch required shall be determined in the field. The bid item for mulching shall be paid for by one of the following ways: A) Plan quantity as shown on Summary of Quantities, Seeding Sheet or Water Pollution Control Sheet, B) Slope measurement as measured in field, or C) Drill measurement less 5% as measured at the time of seeding.



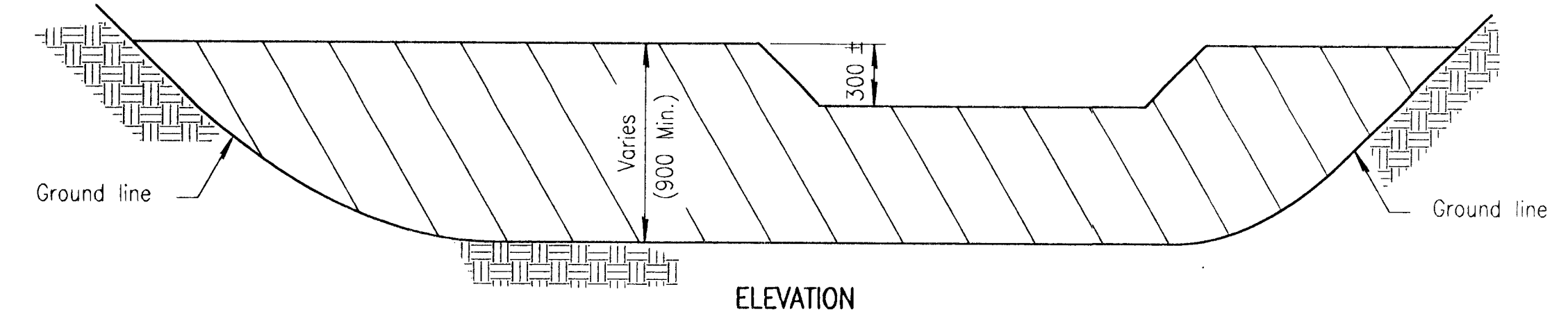
RAMP CUT SECTION



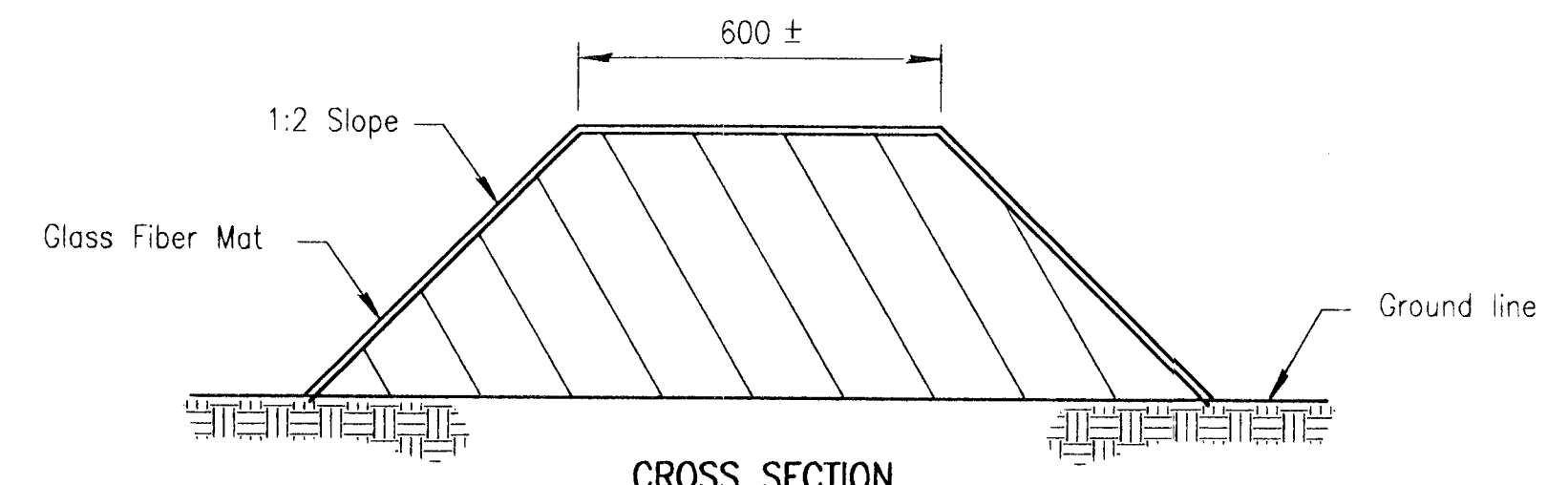
RAMP FILL SECTION



TYPICAL SECTION -- DUAL PAVEMENT



ELEVATION



CROSS SECTION

Cover dike with glass fiber mat, soil retention blanket, or other similar material as approved by the Engineer. The dike and basin shall be of sufficient size to handle the anticipated silt load. The basin shall be utilized at locations of expected heavy silt carrying runoff from slopes, terraces or other similar areas.

TYPICAL DIKE FOR SILTING BASIN

SUMMARY OF SEEDING QUANTITIES: PROJECTS OF 2 HA. OR MORE				
P.L.S. RATE/HECTARE	HECTARES	BID ITEM	QUANTITY	UNIT
		Fertilizer		kg
		Ryegrass Seed		kg
		Foxtail Millet Seed		kg
		Agricultural Limestone		tons
		Temporary Berm		m
		Temporary Ditch Check		m
		Temporary Inlet Sediment Barrier		Each
		Temporary Sediment Basin		cu m
		Temporary Slope Barrier		m
		Temporary Slope Drain		m
		Temporary Stream Crossing		Each
		Sediment Removal (Set)		cu m
		Mulching (Temporary)		ha

SUMMARY OF SEEDING QUANTITIES: PROJECTS LESS THAN 2 HA.				
P.L.S. RATE/HECTARE	HECTARES	BID ITEM	QUANTITY	UNIT
150	0.01	Fertilizer (16-20-0)		kg
25	0.01	Ryegrass Seed		kg
25	0.01	Foxtail Millet Seed		kg
		Agricultural Limestone		tons
		Seeding (TPWPC)		LS
		Temporary Ditch Check (Straw or Hay Bales Only)		m
		Temporary Slope Barrier (Silt Fence Only)		m
		Water Pollution Control (Soil Erosion)		LS
		Sediment Removal (Set)		cu m
		Mulching (Temporary)		ha
		Erosion Control		LS
		Lump Sum		LS

5	4/20/98	Revised Summary of Quantities	WCL	RDR
4	12/31/97	Revised Summary of Quantities	WCL	RDR
3	3/17/97	Revised Summary of Quantities	WCL	RDR
2	7/3/95	Revised: Convert to SI	WCL	RDR
1	4/21/95	Revised: Removed Typical Dike Detail	WCL	RDR
NO.	DATE	REVISIONS	BY	APP'D

KANSAS DEPARTMENT OF TRANSPORTATION

TEMPORARY PROJECT WATER POLLUTION CONTROL (SOIL EROSION)

LA852A SI

DESIGNED	WCL	DATE	5-15-98	APP'D	Richard D. Ross
DESIGN CK.	RDR	DETAIL CK.	RDR	QUANTITIES	TRACED
DESIGN CK.	RDR	DETAIL CK.	RDR	QUAN. CK.	TRACE CK.

65 OF 131

Drawn By : DPC
 DGN File : LA852AS1.DWG
 Plotted : 4-15-99
 View= PLOT 1

G:\CIVIL\PAW-MEBB\0817\AUE\TALLS\LABR2AS1.DWG Mon Sep 18 11:02:57 2000