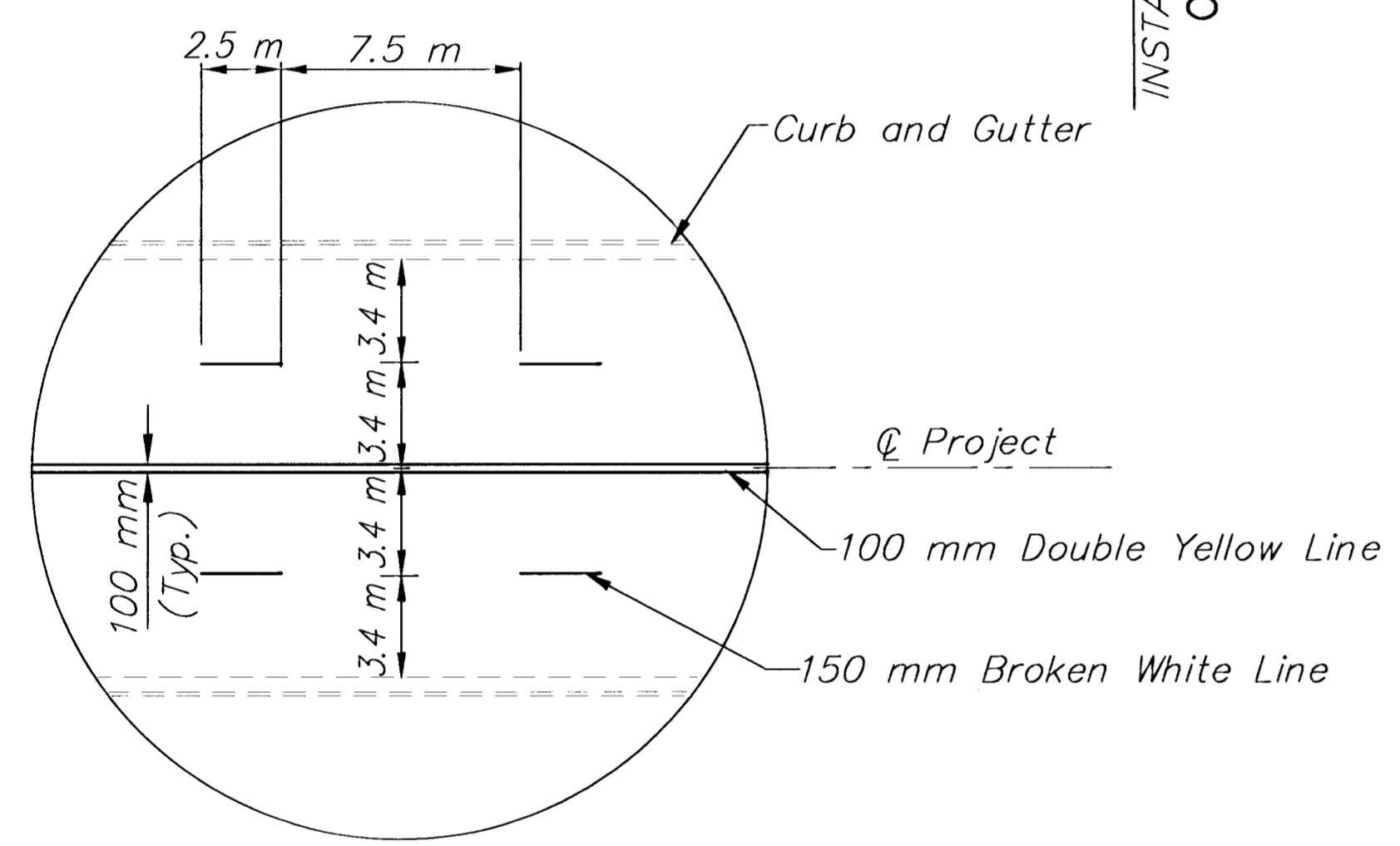
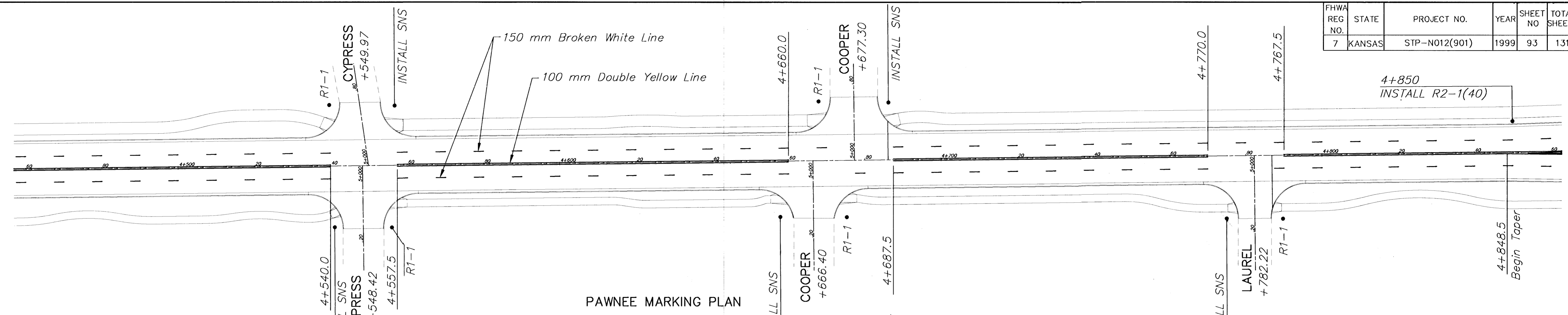
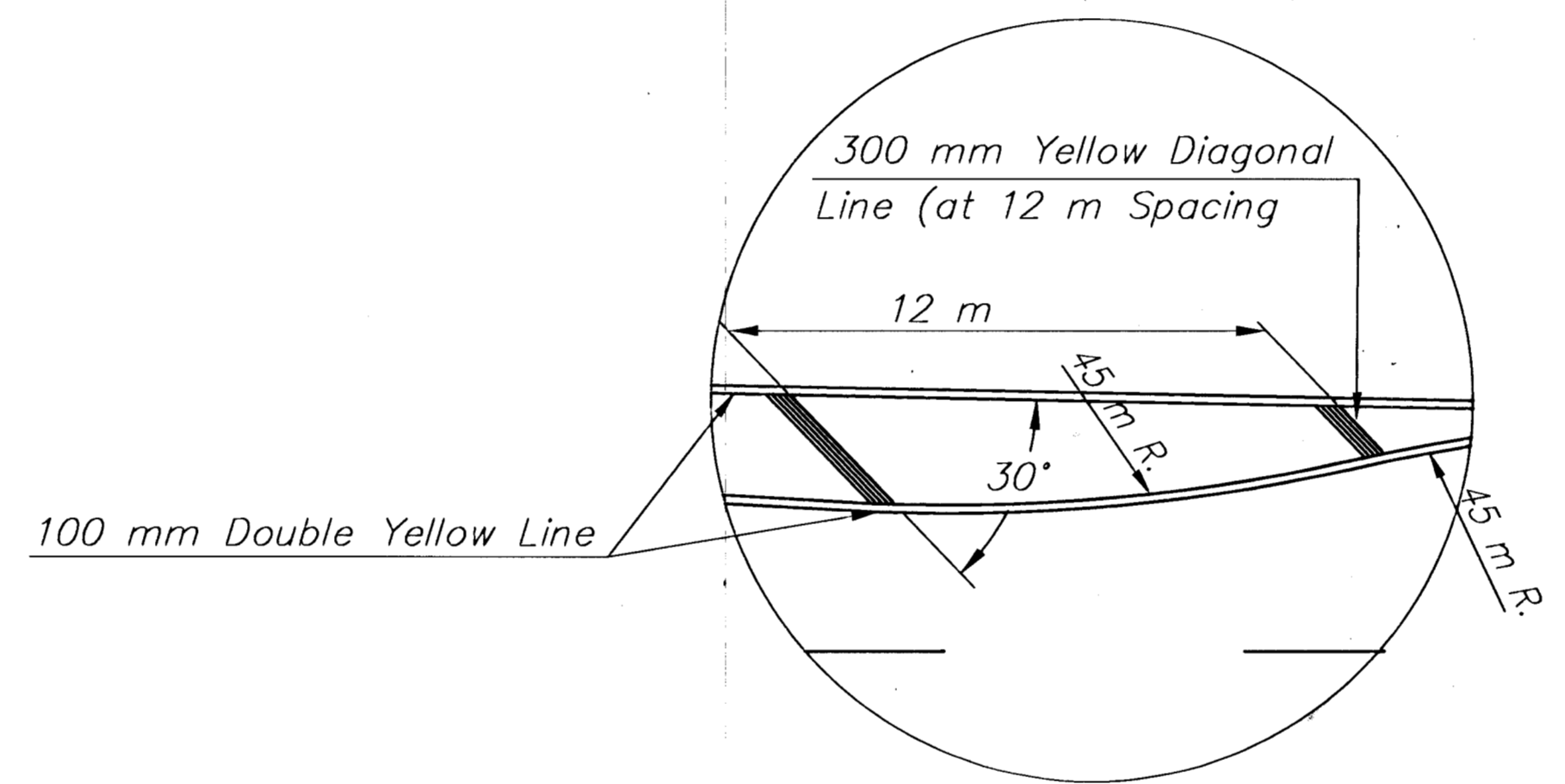


FHWA REG. NO.	STATE	PROJECT NO.	YEAR	SHEET NO.	TOTAL SHEETS
7	KANSAS	STP-N012(901)	1999	93	131

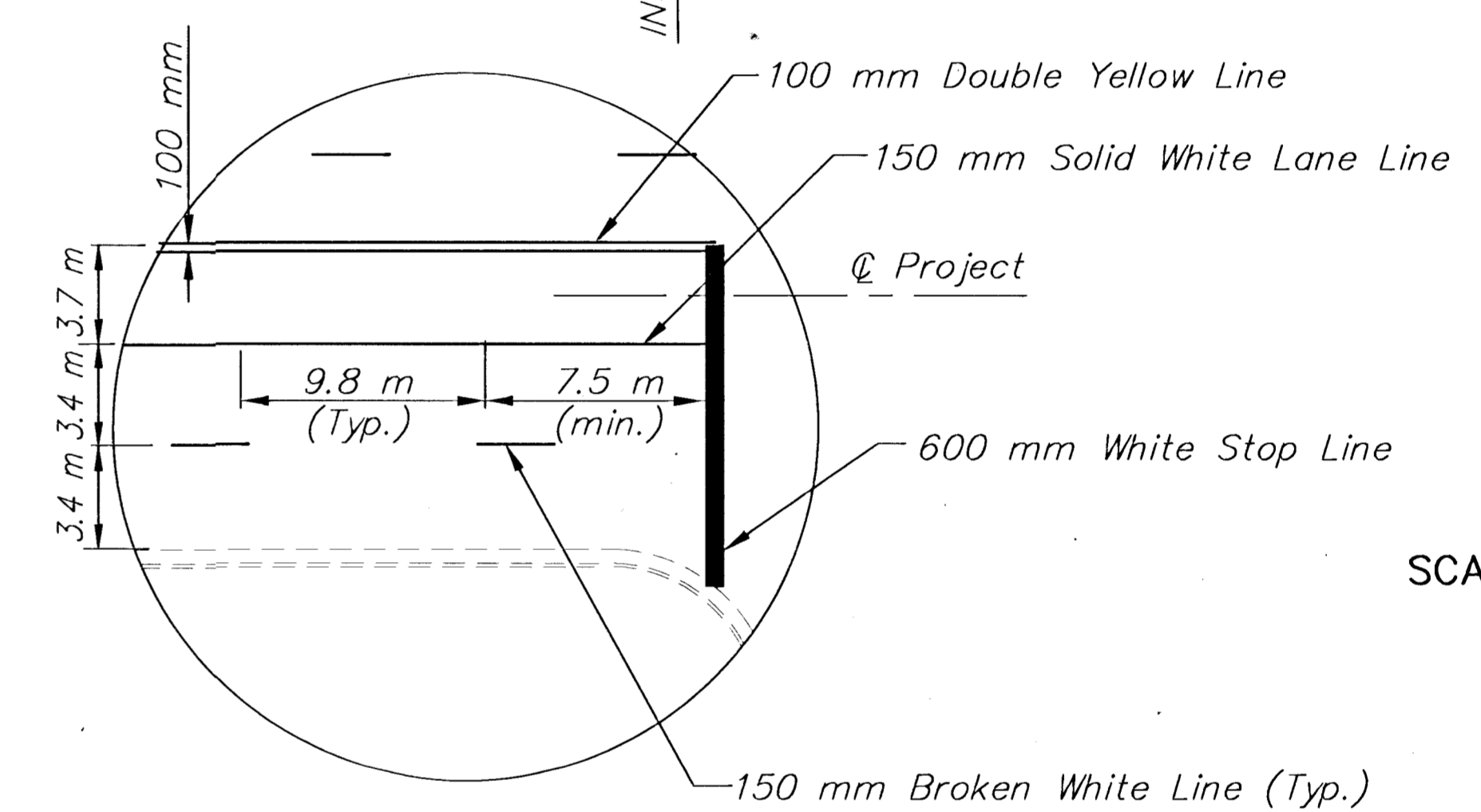
BY	DATE
REFERENCES NOTED	
REFERENCES CHECKED	



TYPICAL LANE DETAIL

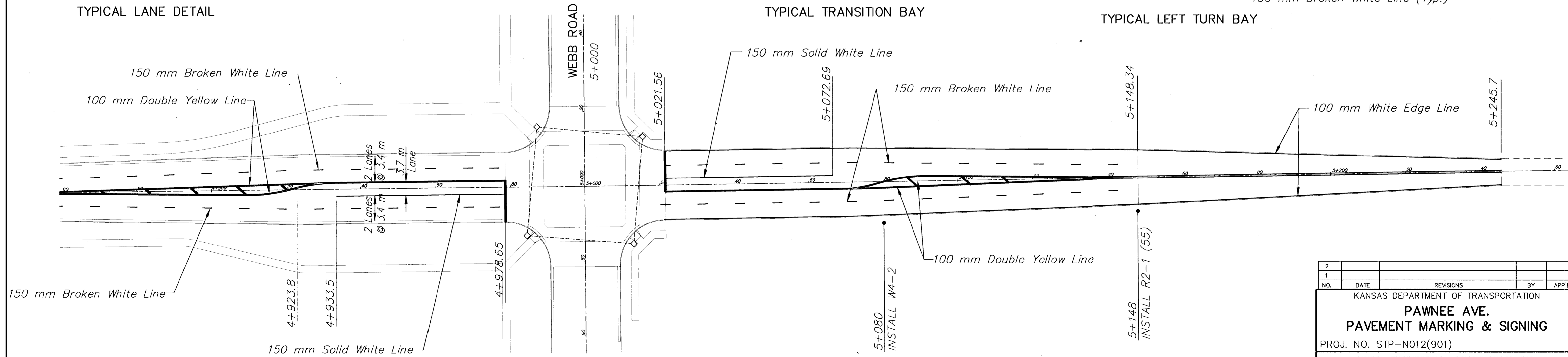


TYPICAL TRANSITION BAY



TYPICAL LEFT TURN BAY

SCALE: 1:500



PAWNEE MARKING PLAN

2					
1					
NO.	DATE	REVISIONS	BY	APP'D	
KANSAS DEPARTMENT OF TRANSPORTATION					
PAWNEE AVE. PAVEMENT MARKING & SIGNING					
PROJ. NO. STP-N012(901)					
MKEC ENGINEERING CONSULTANTS, INC. WICHITA, KANSAS					
DESIGNED BY:	JTC	CHECKED BY:	GJA		
DRAWN BY:	DPG	DATE:	JULY 1999	SHEET 93 OF 131	