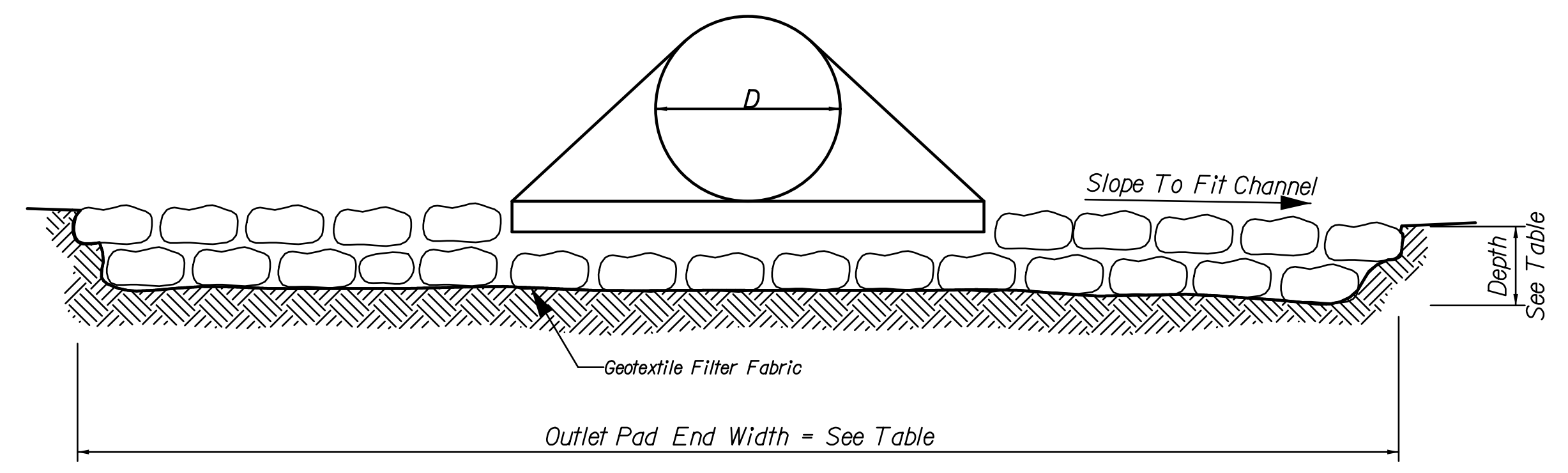


CONSULTANTS:

45TH & HILLSIDE
 INTERSECTION IMPROVEMENT
 WICHITA, KANSAS

SLOPE PROTECTION FOR
 CULVERT OUTLET - END VIEW

**RIP RAP STONE DEPTH FOR CULVERTS	
Class	Depth (ft)
Light Stone	1.5

**For Information Only

SLOPE PROTECTION FOR CULVERT OUTLETS

Station	Side	Location	Class	Outlet Pad End Width (ft)	Outlet Pad Length* (ft)	Outlet Pad Area (S.Y.)	Pad Volume (C.Y.)
117+48.31	Lt.	Hillside Avenue	Light Stone	11.3	8.0	7.5	3.7
129+73.37	Lt.	Hillside Avenue	Light Stone	25.4	18.0	43.6	21.8
130+17.17	Rt.	Hillside Avenue	Light Stone	12.0	21.0	28.9	14.4
221+93.83	Rt.	45th Street	Light Stone	Varies	20.0	76.0	38.0
222+62.20	Lt.	45th Street	Light Stone	20.6	22.2	49.9	25.0
230+91.28	Rt.	45th Street	Light Stone	14.8	20.0	32.1	16.0
231+60.97	Lt.	45th Street	Light Stone	27.5	20.0	46.7	23.3
233+86.35	Lt.	45th Street	Light Stone	16.0	11.3	15.1	7.6
234+38.53	Lt.	45th Street	Light Stone	16.0	11.3	15.1	7.6

*Plan Lengths may be Different where Linings are Placed on Backslopes

Note:
 All Work Required For Installation of Slope Protection for Culvert Outlets Will Be Considered *SUBSIDIARY* To The Bid Item "Rip-Rap, Light Stone".
 For Final Quantities See Sheet 33

REVISIONS:	MARK	DATE	DESCRIPTION

PROJ NO: 87 N-0616-01
 SCALE: N/A
 DATE: 10/9/2017
 DESIGNED BY: TAU
 DRAWN BY: TAU
 CHECKED BY: MDB

SHEET TITLE:
SLOPE PROTECTION DETAIL

SHEET NO.
34