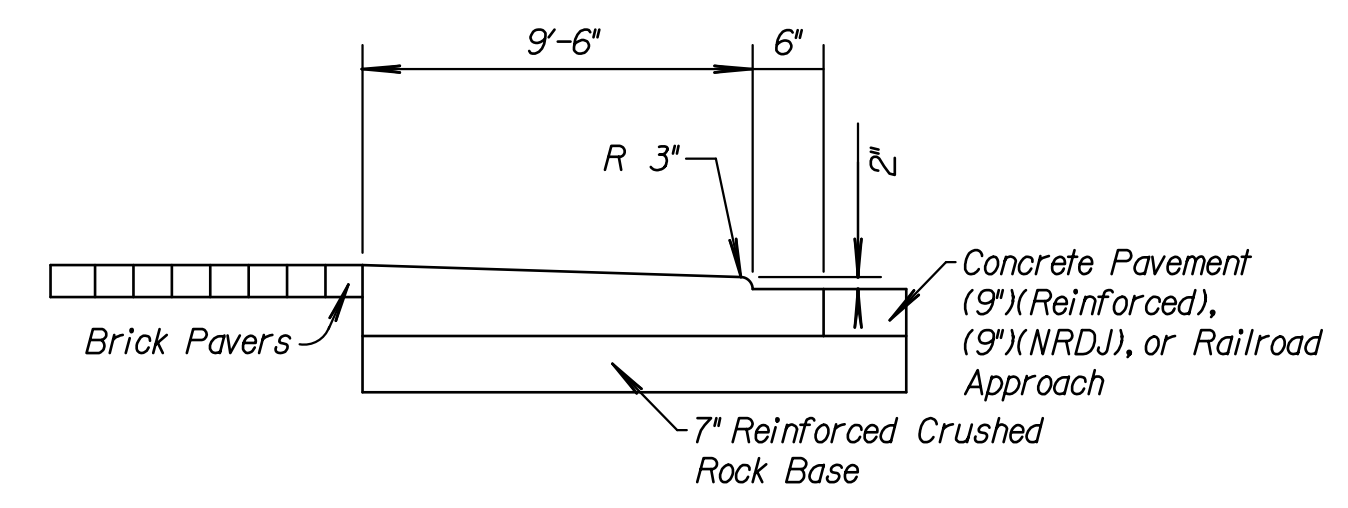
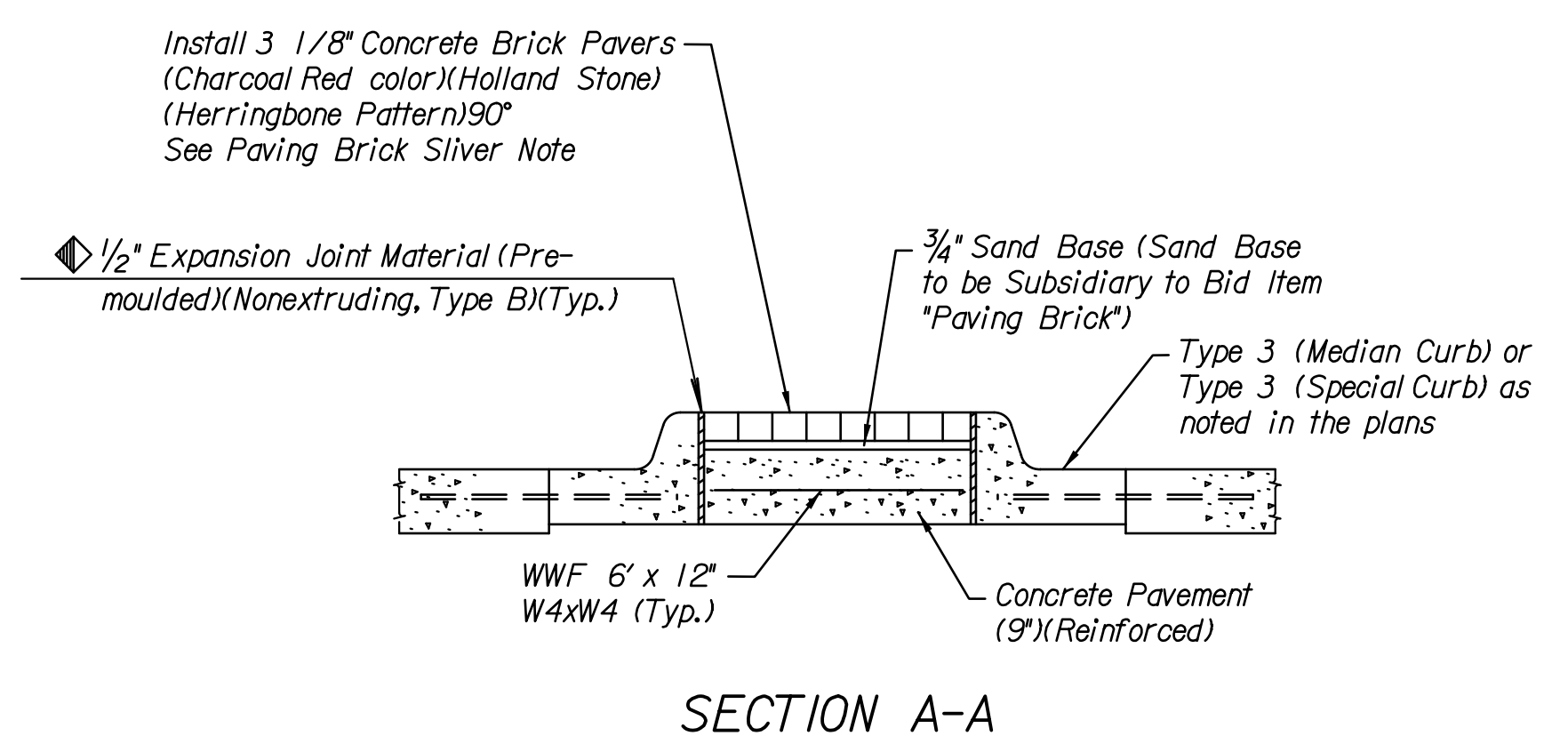
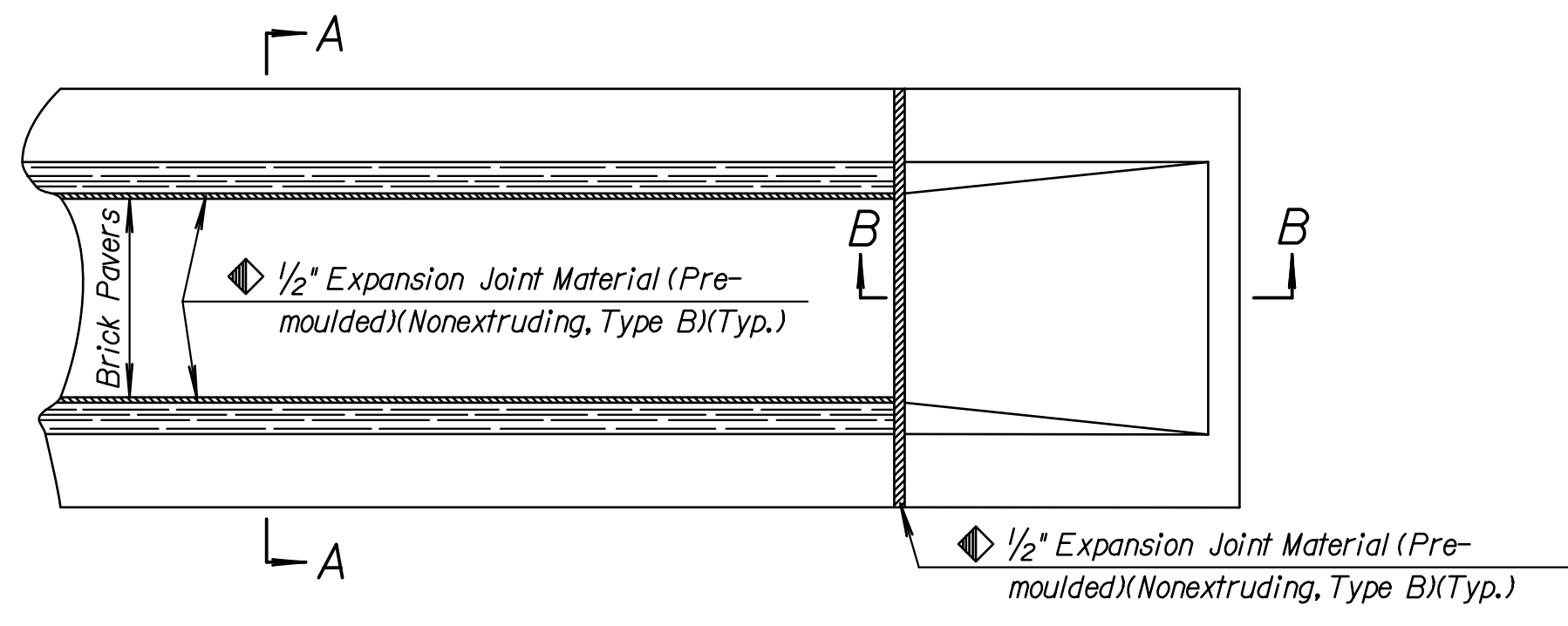


CONSULTANTS:

45TH & HILLSIDE
 INTERSECTION IMPROVEMENT
 WICHITA, KANSAS

Install 3 1/8" Concrete Brick Pavers
 (Charcoal Red color)(Holland Stone)
 (Herringbone Pattern)90°
 See Paving Brick Sliver Note

1/2" Expansion Joint Material (Pre-moulded)(Nonextruding, Type B)(Typ.)

3/4" Sand Base (Sand Base to be Subsidiary to Bid Item "Paving Brick")

Type 3 (Median Curb) or Type 3 (Special Curb) as noted in the plans

WWF 6' x 12" W4xW4 (Typ.)

Concrete Pavement (9")(Reinforced)

Paving Brick Sliver Note
 Brick Pavers to be installed in crosswalk and/or median locations shall be custom cut to match final concrete dimensions. Contractor shall construct crosswalk blockouts to match nominal paver width dimensions. Fill in with "brick slivers" (defined as pieces smaller than 1/2 of the shortest paver dimension) shall not be allowed, except at the end of crosswalk locations.

Note:
 Expansion joints shall be placed in concrete median as follows. In long runs expansion joints shall be 1*2' expansion joint material (Nonextruding, Type B) flush with the surface. Expansion joints in the median shall match expansion joints in the curb and gutter with a maximum spacing of 125'. Plane of weakness in median shall match plane of weakness in curb & gutter.

REVISIONS:	MARK	DATE	DESCRIPTION

PROJ NO: 87 N-0616-01
 SCALE: N/A
 DATE: 10/9/2017
 DESIGNED BY: TAU
 DRAWN BY: TAU
 CHECKED BY: MDB

SHEET TITLE:
RAISED MEDIAN & MEDIAN NOSE DETAILS

SHEET NO.
60