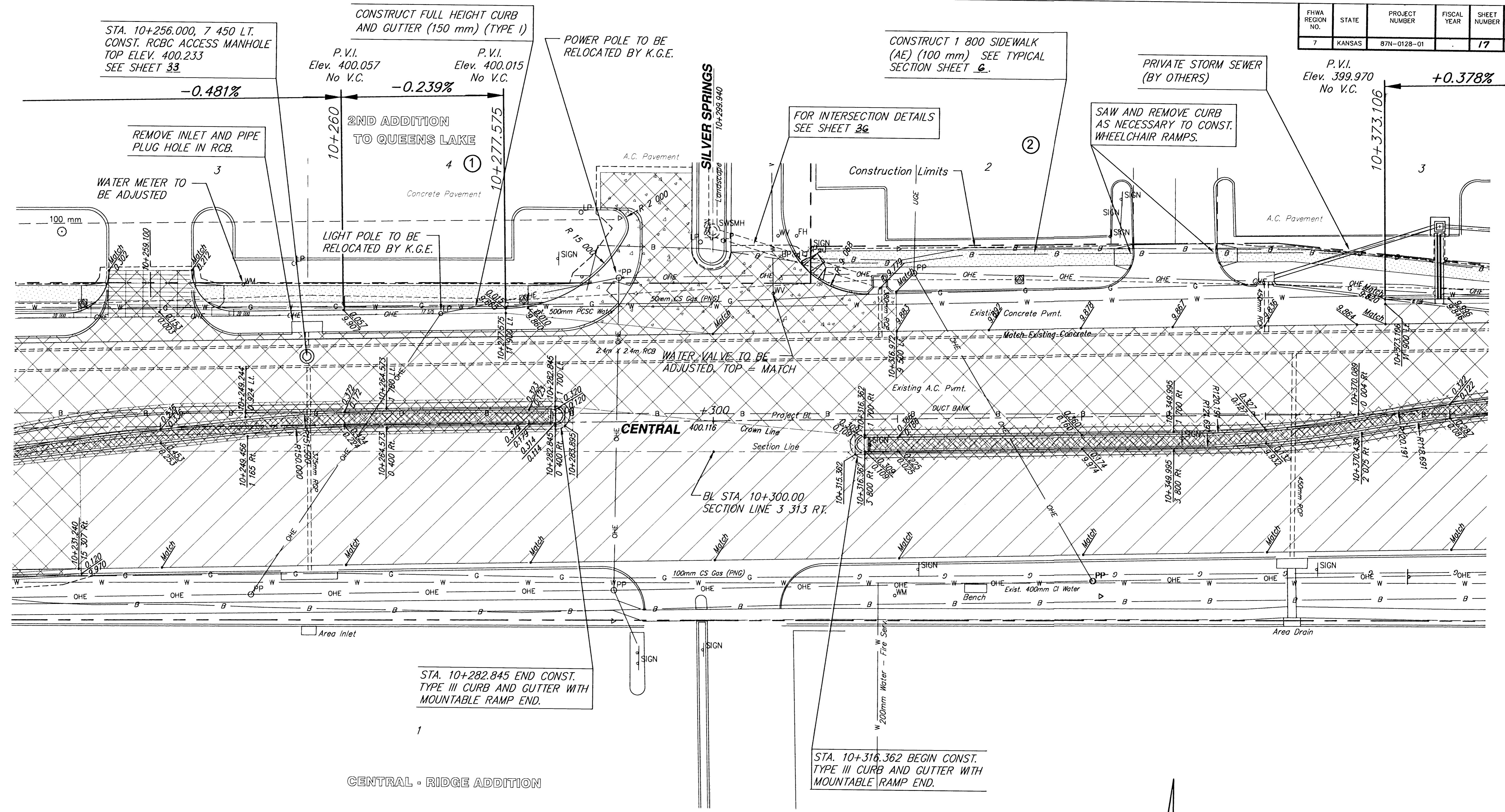


FHWA REGION NO.	STATE	PROJECT NUMBER	FISCAL YEAR	SHEET NUMBER	TOTAL SHEETS
7	KANSAS	87N-0128-01		17	118

BY	DATE
REFERENCES NOTED	
REFERENCES CHECKED	



STA. 10+256.000, 7 450 LT.
CONST. RCBC ACCESS MANHOLE
TOP ELEV. 400.233
SEE SHEET 33

CONSTRUCT FULL HEIGHT CURB
AND GUTTER (150 mm) (TYPE I)

POWER POLE TO BE
RELOCATED BY K.G.E.

CONSTRUCT 1 800 SIDEWALK
(AE) (100 mm) SEE TYPICAL
SECTION SHEET 6.

PRIVATE STORM SEWER
(BY OTHERS)

P.V.I.
Elev. 399.970
No V.C.

REMOVE INLET AND PIPE
PLUG HOLE IN RCB.

2ND ADDITION
TO QUEENS LAKE

FOR INTERSECTION DETAILS
SEE SHEET 36

SAW AND REMOVE CURB
AS NECESSARY TO CONST.
WHEELCHAIR RAMPS.

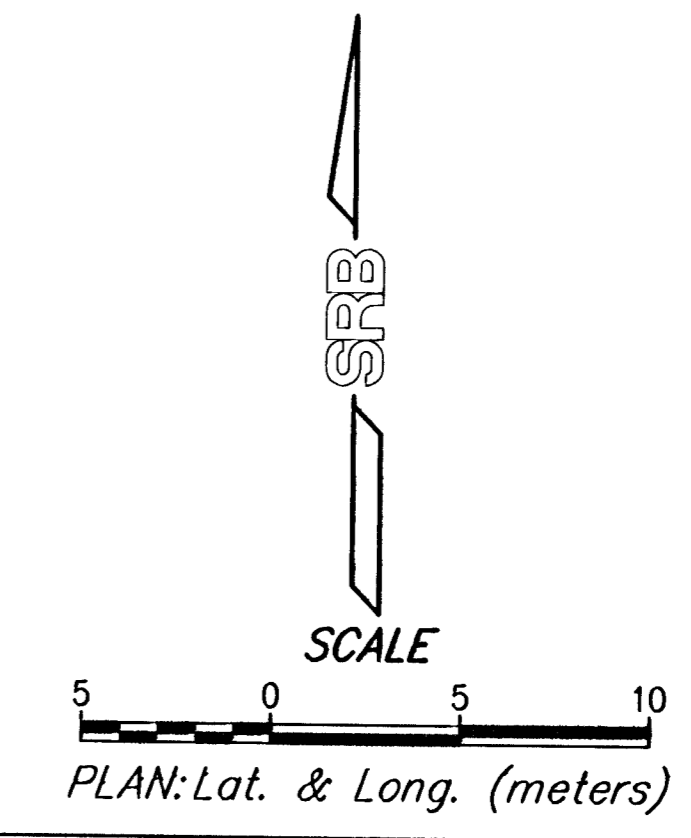
LIGHT POLE TO BE
RELOCATED BY K.G.E.

WATER VALVE TO BE
ADJUSTED, TOP = MATCH

STA. 10+282.845 END CONST.
TYPE III CURB AND GUTTER WITH
MOUNTABLE RAMP END.

STA. 10+316.362 BEGIN CONST.
TYPE III CURB AND GUTTER WITH
MOUNTABLE RAMP END.

CENTRAL - RIDGE ADDITION



CENTRAL AVE. STATION 10+225 TO STATION 10+375	
SRB 924 NORTH MAIN WICHITA, KANSAS 67203 http://www.feast.com/~srb	316-284-8038 FAX 284-4621 E-Mail: srb@feast.com
SAVOY, RUGGLES & BOHM, P.A. ENGINEERING & SURVEYING	
PROJECT NUMBER 472-76-245-83057-000-000-001	
DRAWN JRA	DESIGN CMB/KWL
REVIEW 	DATE Dec. 13, 2000
UTILITY 	SRB JOB 1218T
17	118