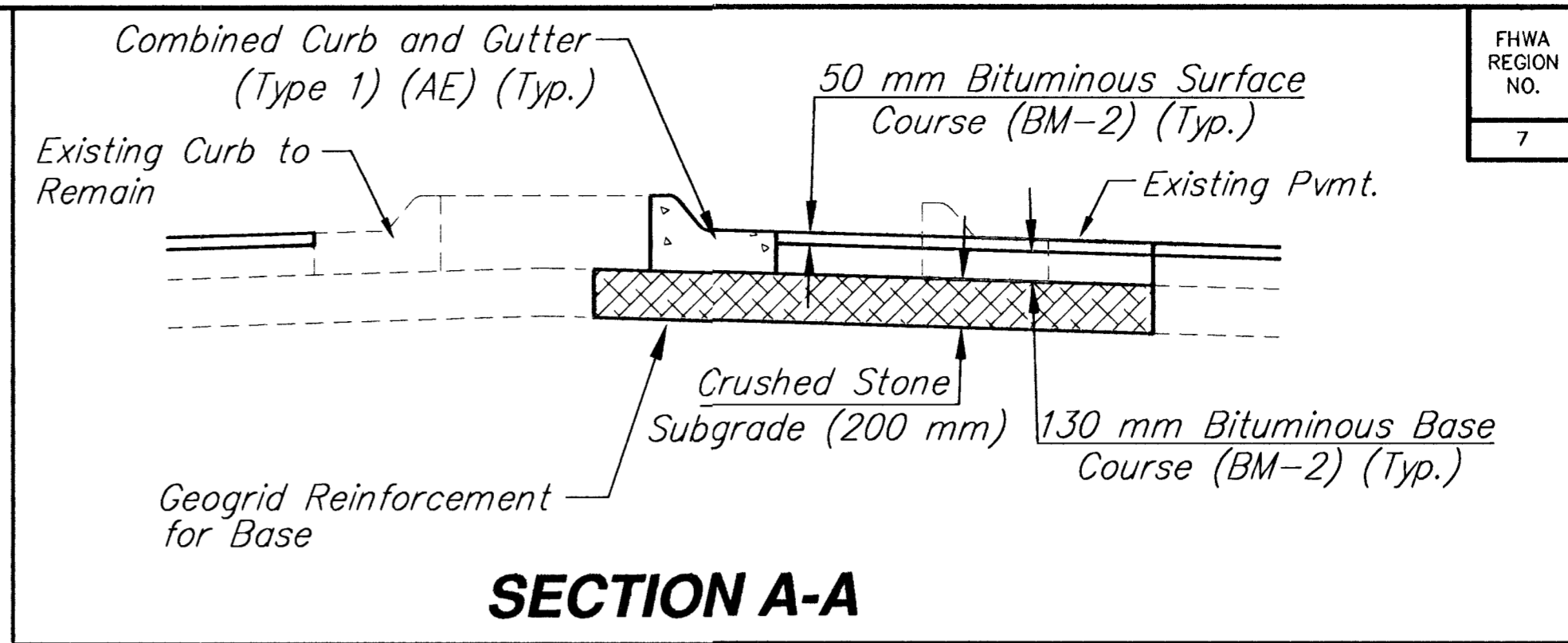


| FIWA REGION NO. | STATE | PROJECT NUMBER | FISCAL YEAR | SHEET NUMBER | TOTAL SHEETS |
|-----------------|--------|----------------|-------------|--------------|--------------|
| 7 | KANSAS | 87N-0128-01 | | 20 | 118 |



STA. 4+725 TO 4+761.897
REMOVE EXISTING PAVEMENT.
REPLACE WITH 200mm REINF.
CRUSHED ROCK BASE; 130mm
BM-2 BASE COURSE AND 50mm
BM-2 SURFACE COURSE.

FOR INTERSECTION
DETAILS, SEE SHEET 3C

STA. 4+748.786, 20 245 RT.
SAW EXISTING PAVEMENT TO
NEAT LINE AND MATCH.

REMOVE EXISTING WALK TO
NEAREST JOINT AS NECESSARY
TO CONST. WHEELCHAIR RAMP.

STATION 4+670.640, BEGIN
PROJECT NO. 87N-0128-01
SAW EXISTING PAVEMENT TO
NEAT LINE AND MATCH WITH
NEW PAVEMENT SECTION.

STA. 4+728.875 END CONST
TYPE III CURB AND GUTTER WITH
MOUNTABLE RAMP END.

CENTRAL HEIGHTS
SECOND ADDITION

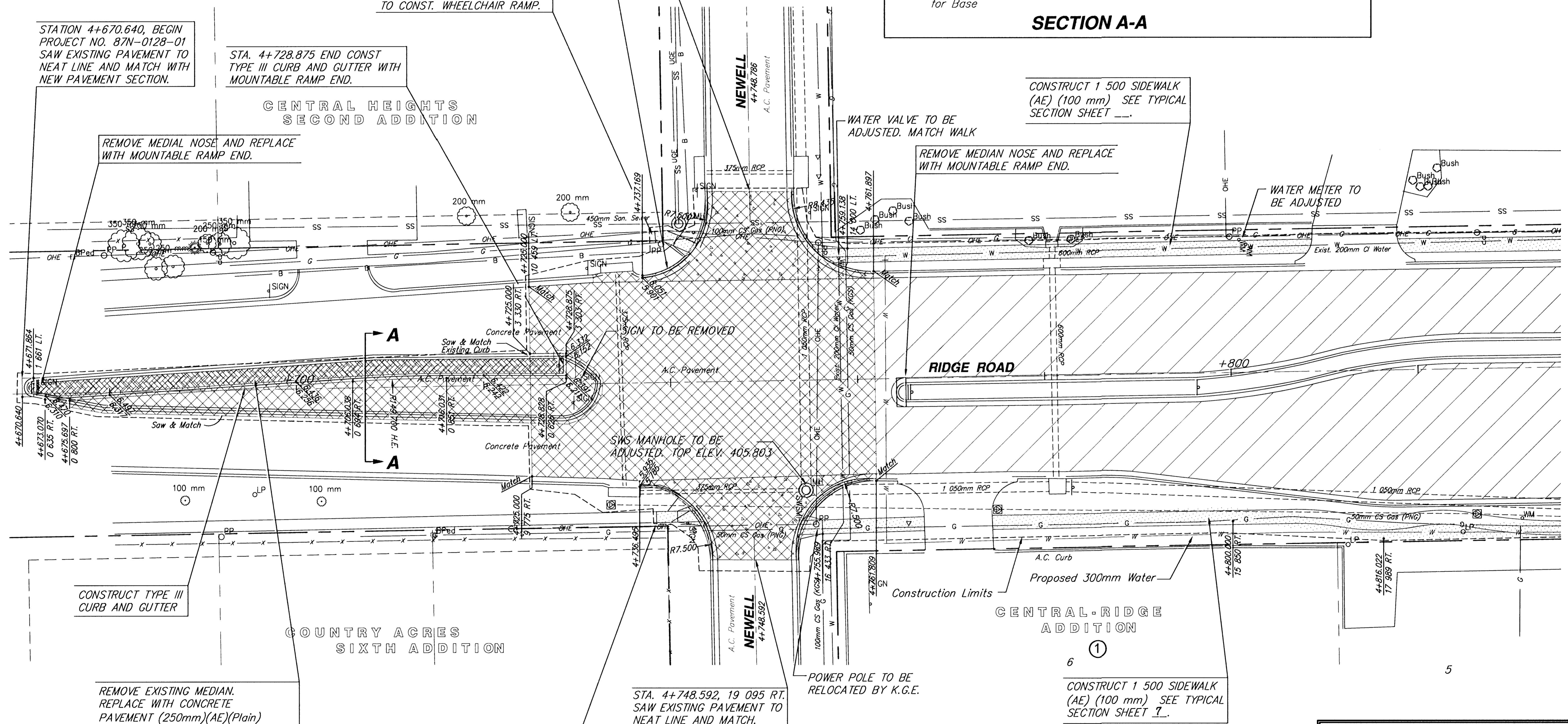
REMOVE MEDIAL NOSE AND REPLACE
WITH MOUNTABLE RAMP END.

WATER VALVE TO BE
ADJUSTED. MATCH WALK

CONSTRUCT 1 500 SIDEWALK
(AE) (100 mm) SEE TYPICAL
SECTION SHEET ---.

REMOVE MEDIAN NOSE AND REPLACE
WITH MOUNTABLE RAMP END.

WATER METER TO
BE ADJUSTED



CONSTRUCT TYPE III
CURB AND GUTTER

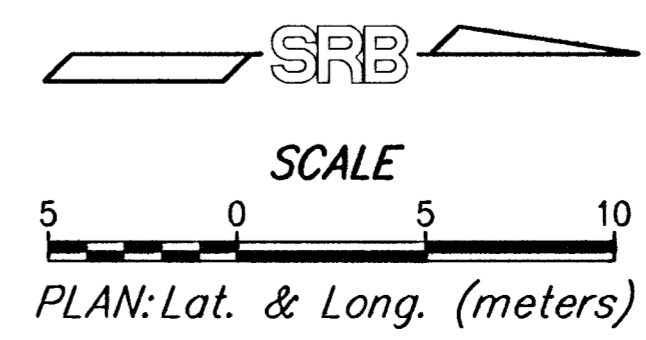
REMOVE EXISTING MEDIAN.
REPLACE WITH CONCRETE
PAVEMENT (250mm)(AE)(Plain)
CRUSHED STONE SUBGRADE (150mm)
GEOGRID REINF. FOR BASE

REMOVE EXISTING WALK TO
NEAREST JOINT AS NECESSARY
TO CONST. WHEELCHAIR RAMP.

FOR INTERSECTION
DETAILS, SEE SHEET 3C

STA. 4+748.592, 19 095 RT.
SAW EXISTING PAVEMENT TO
NEAT LINE AND MATCH.

CONSTRUCT 1 500 SIDEWALK
(AE) (100 mm) SEE TYPICAL
SECTION SHEET 7.



| RIDGE ROAD STATION 4+700 TO STATION 4+825 | | | |
|----------------------------------------------|----------------------------------------------------------------------|-------------------------------------------------------|------------------------------------------------|
| | 924 NORTH MAIN WICHITA, KANSAS 67203 http://www.telat.com/~srb | 318-284-8008 FAX 284-4821 E-Mail: srb@telat.com | PROJECT NUMBER 472-76-245-83057-000-000-001 |
| | SAVOY, RUGGLES & BOHM, P.A. ENGINEERING & SURVEYING | | PROJECT NUMBER 472-76-245-83057-000-000-001 |
| DRAWN JRA | DESIGN CMB/KWL | REVIEW DATE Dec. 13, 2000 | SHEET NO. 20 TOTAL SHEETS 118 |