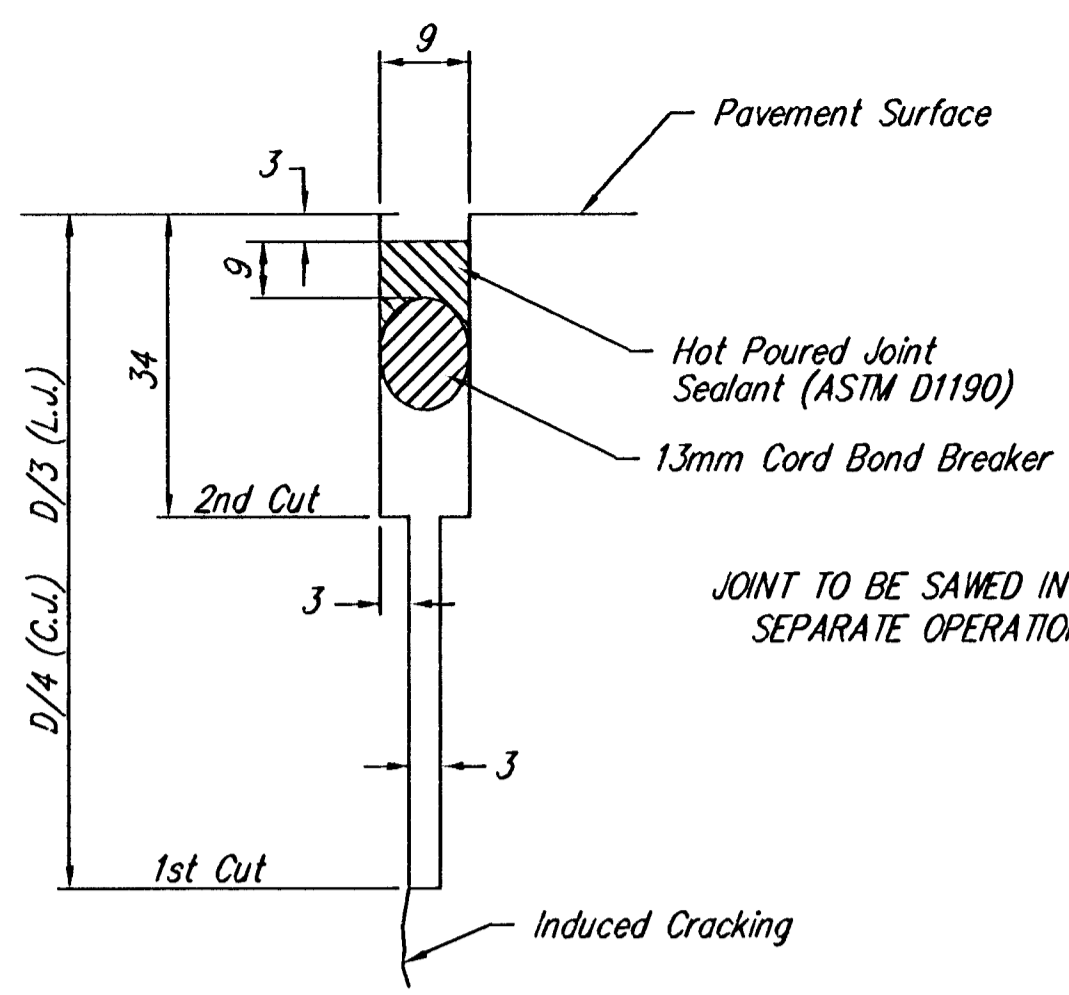


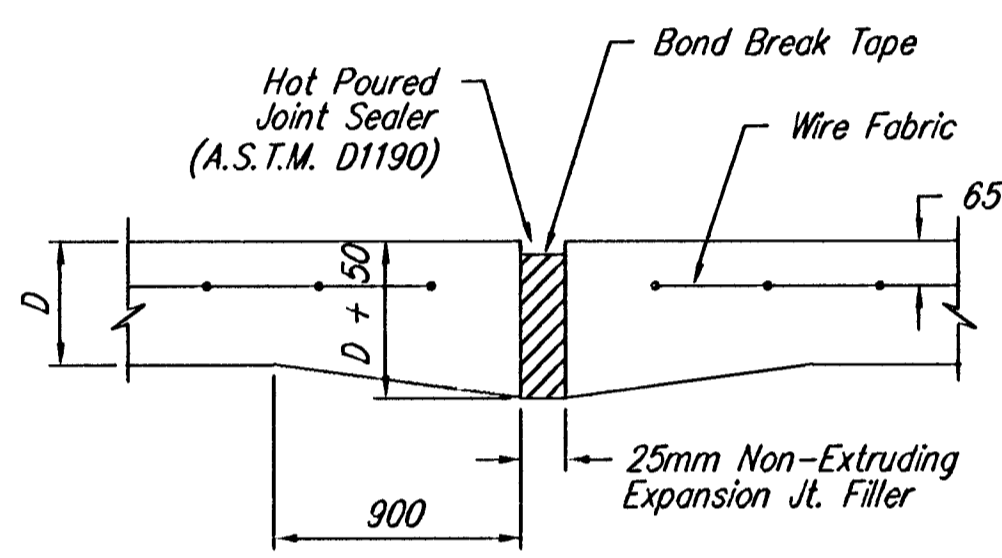
FHWA REGION NO.	STATE	PROJECT NUMBER	FISCAL YEAR	SHEET NUMBER	TOTAL SHEETS
7	KANSAS	87N-0128-01		34	118

BY	DATE

⊗ CONSTRUCT MOUNTABLE MEDIAL NOSE AT ALL LOCATIONS INDICATED. SEE DETAIL SHEET

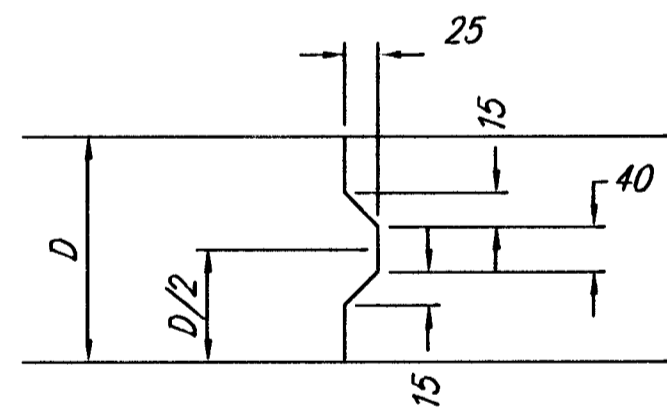


SAW JOINT DETAIL

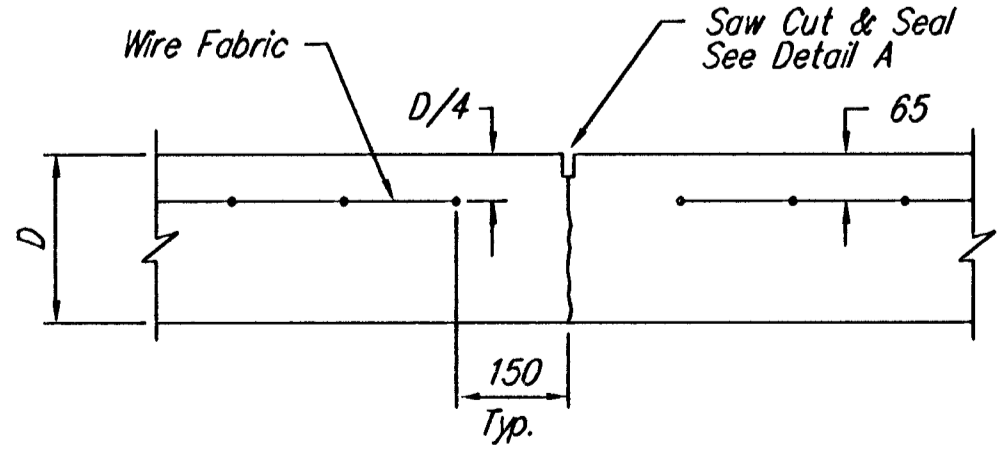


EXPANSION JOINT (E.J.)

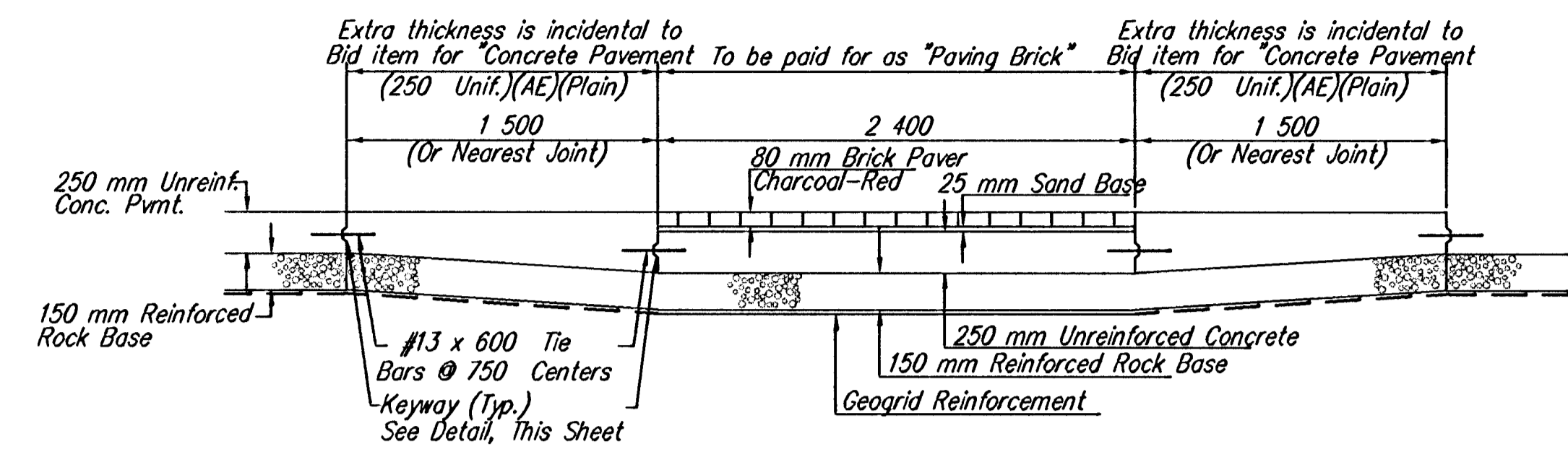
NOTE: Extra Thickness to be Subsidiary to Price of Square Meters Pavement



KEYWAY DETAIL

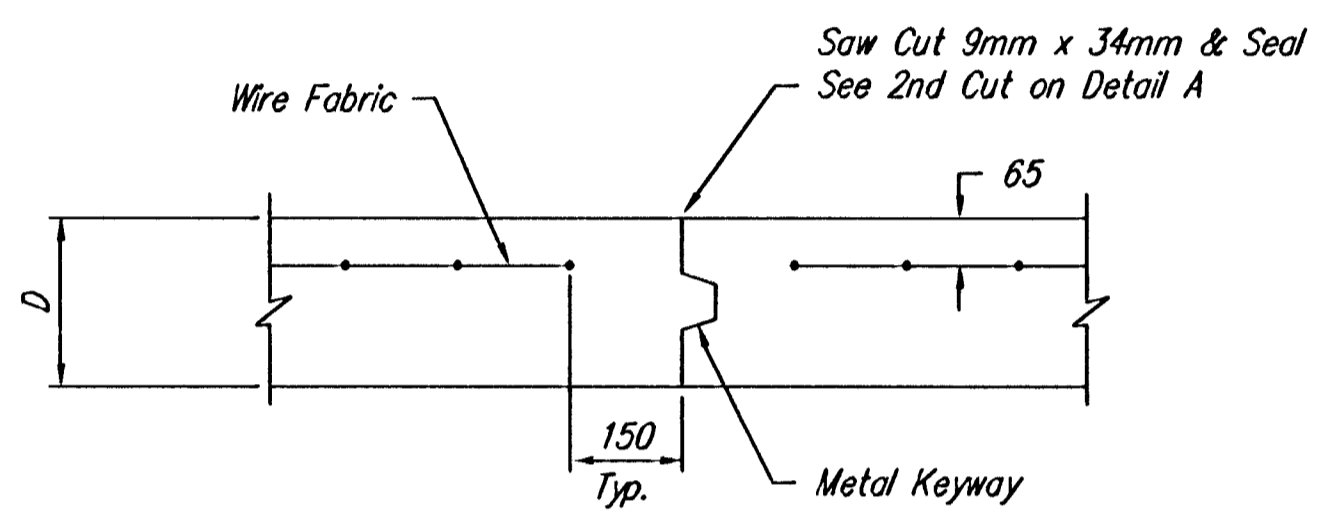


CONTRACTION JOINT DETAIL (C.J.)

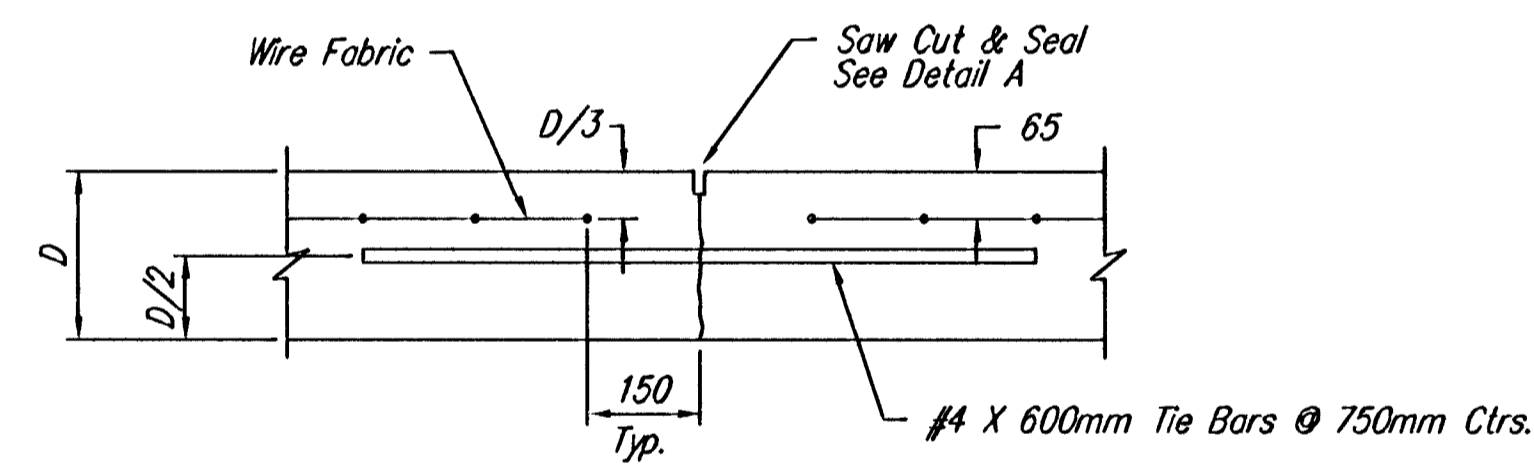


CROSSWALK BRICK PAVER SURFACE DETAIL

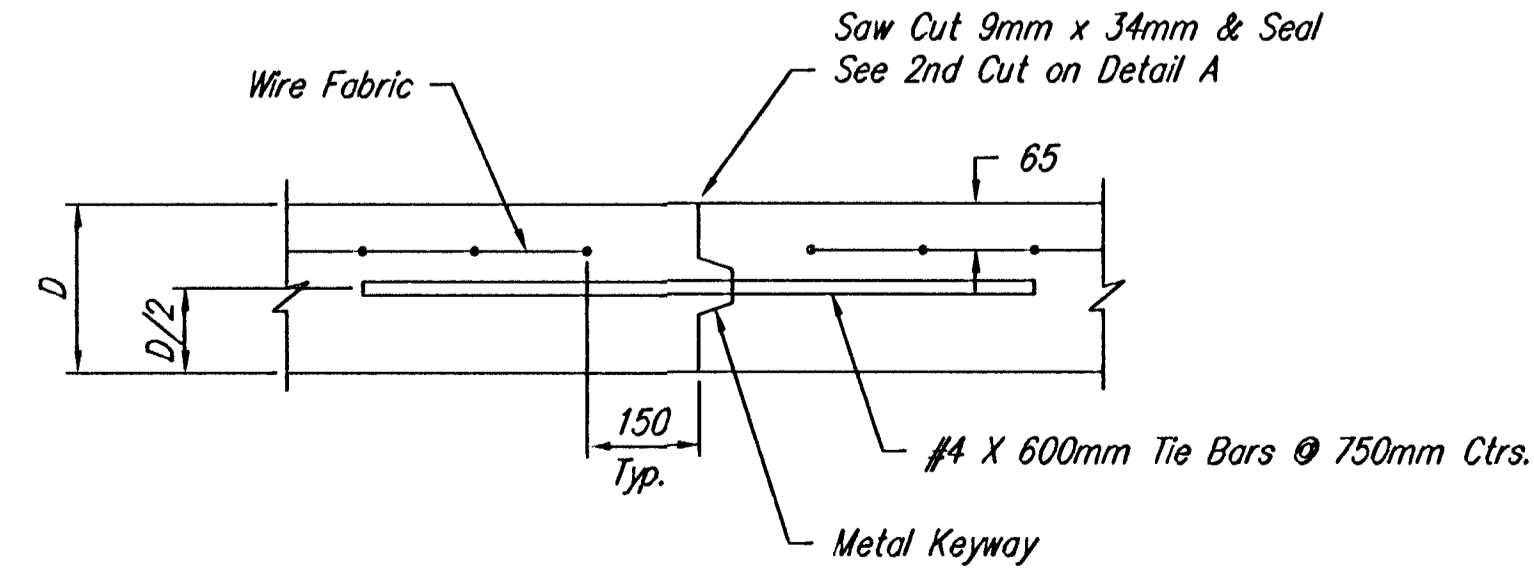
NOTE: Construction of the interlocking precast concrete paving stones shall conform to special provision 90P-3956.



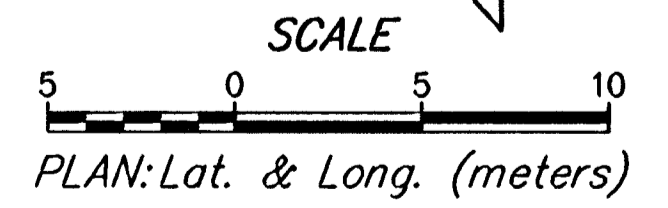
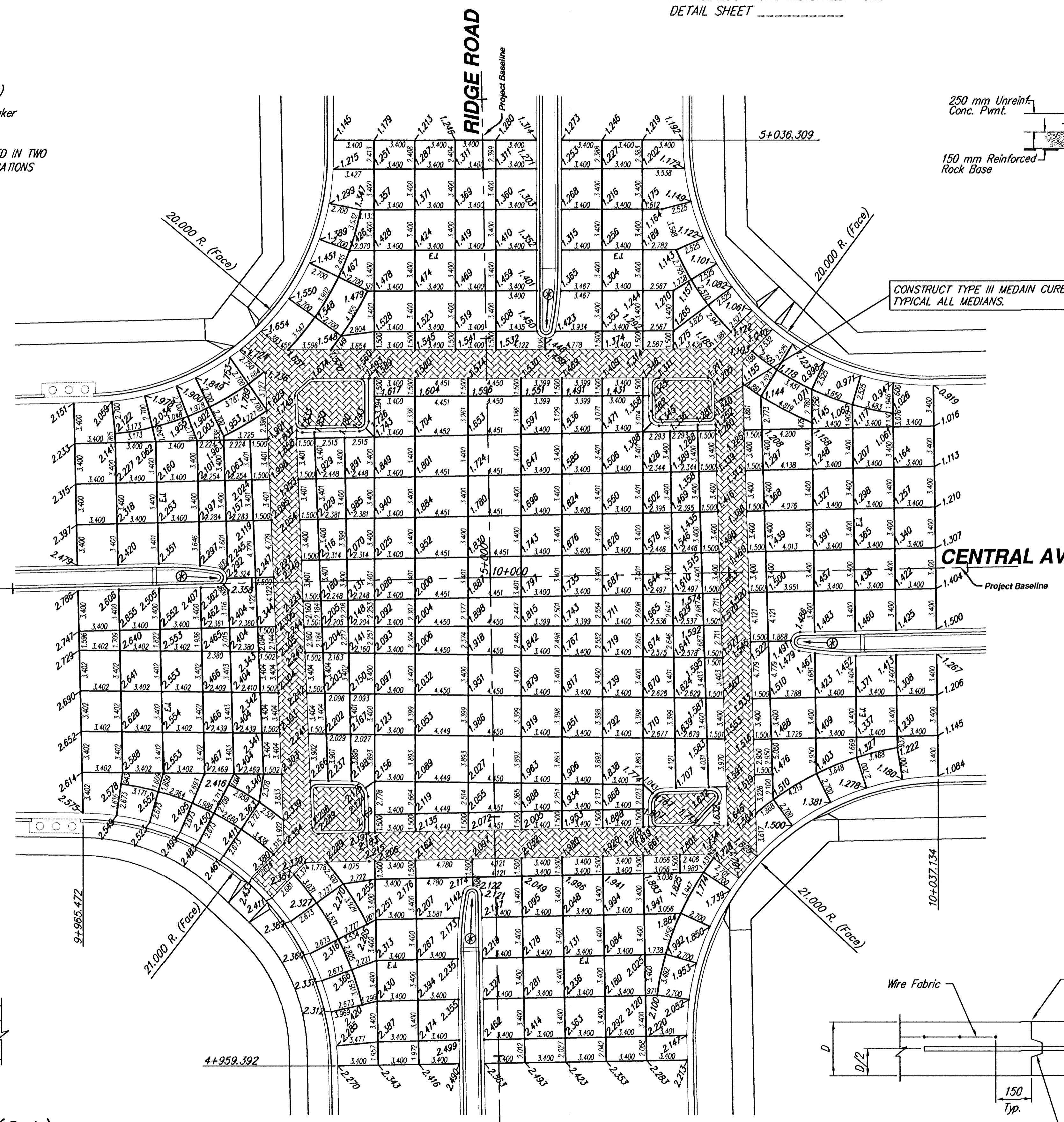
OPTIONAL CONTRACTION JOINT



LONGITUDINAL JOINT DETAIL (L.J.)



OPTIONAL LONGITUDINAL JOINT DETAIL (L.J.)



**CENTRAL and RIDGE ROAD INTERSECTION DETAILS**

SRB 924 NORTH MAIN WICHITA, KANSAS 67203 316-264-8008  
 SAVOY, RUGGLES & BOHM, P.A. ENGINEERING & SURVEYING  
 PROJECT NUMBER 472-76-245-83057-000-000-001  
 DATE Dec. 13, 2000

34  
118