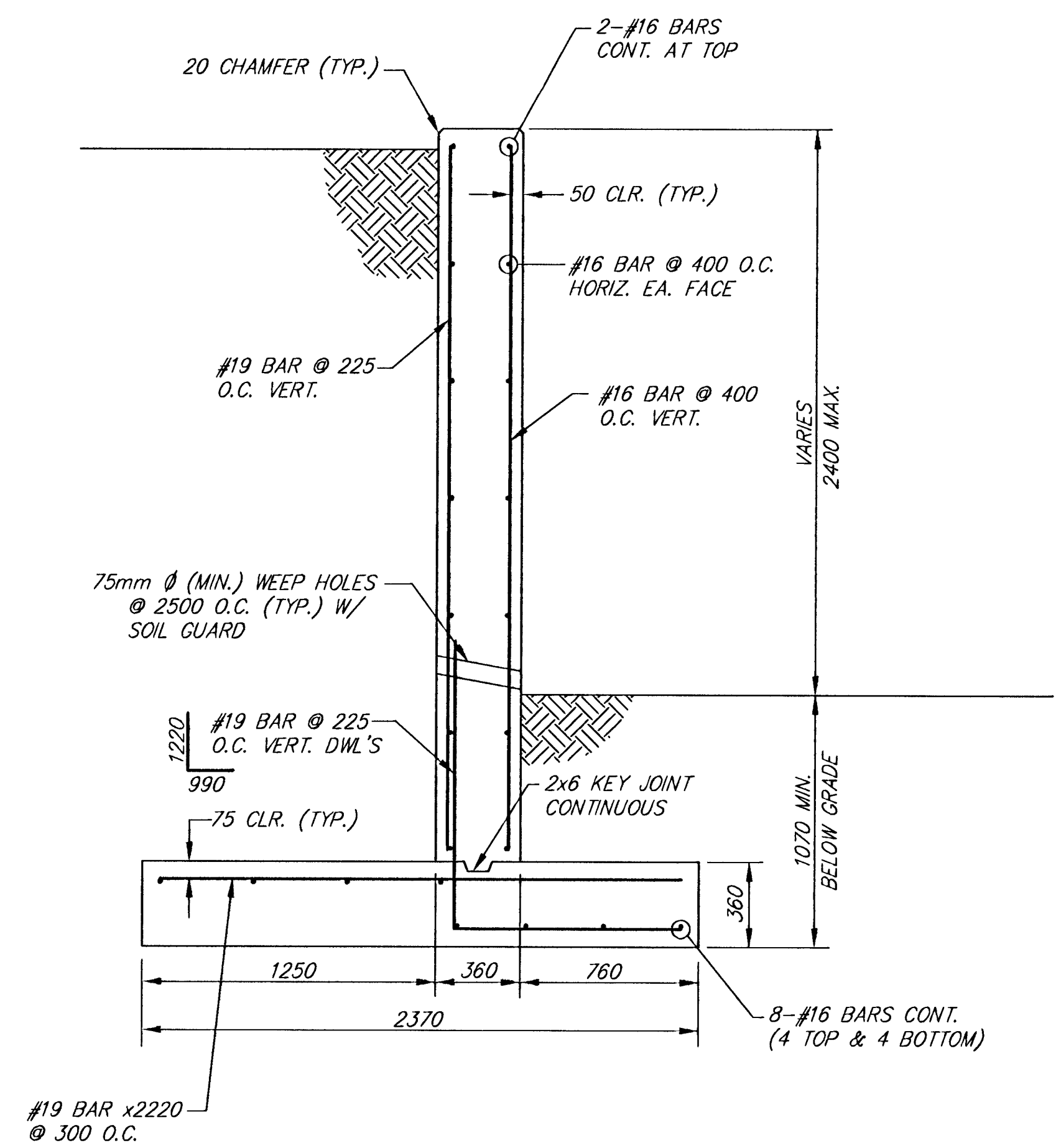
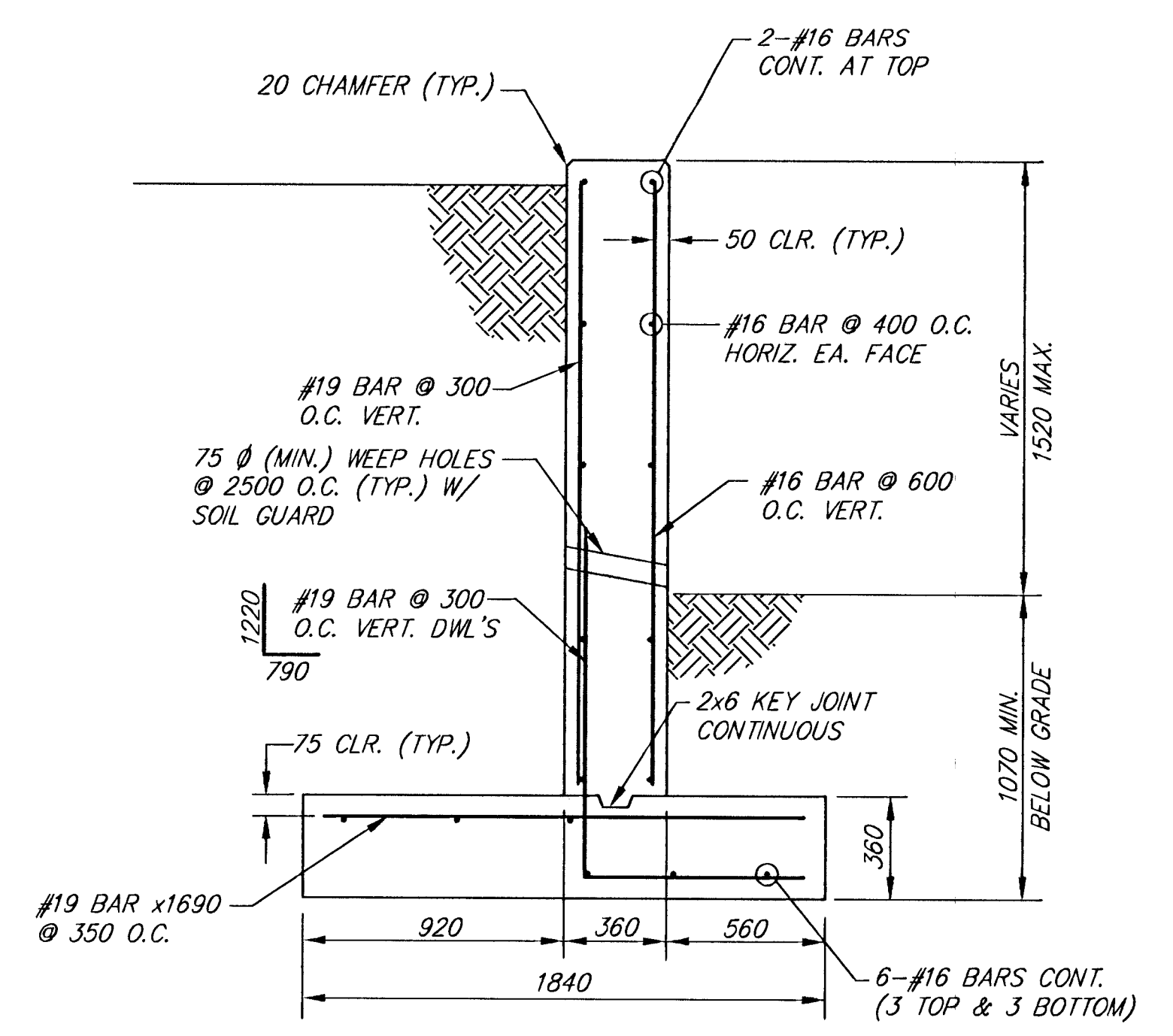


FHWA REGION NO.	STATE	PROJECT NUMBER	FISCAL YEAR	SHEET NUMBER	TOTAL SHEETS
7	KANSAS	87N-0128-01	1999	39	118

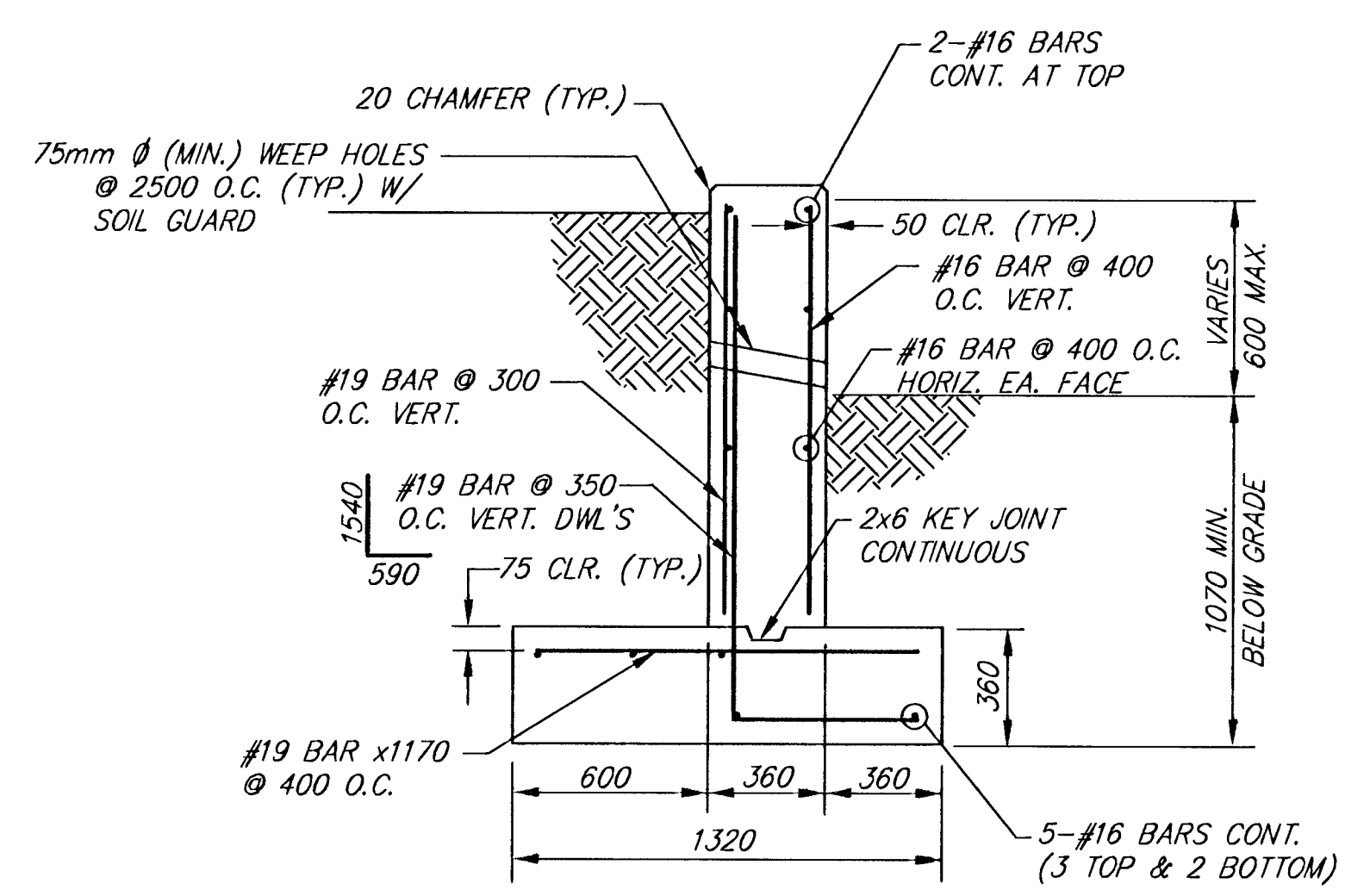
DATE	BY	REFERENCES NOTED	REFERENCES CHECKED



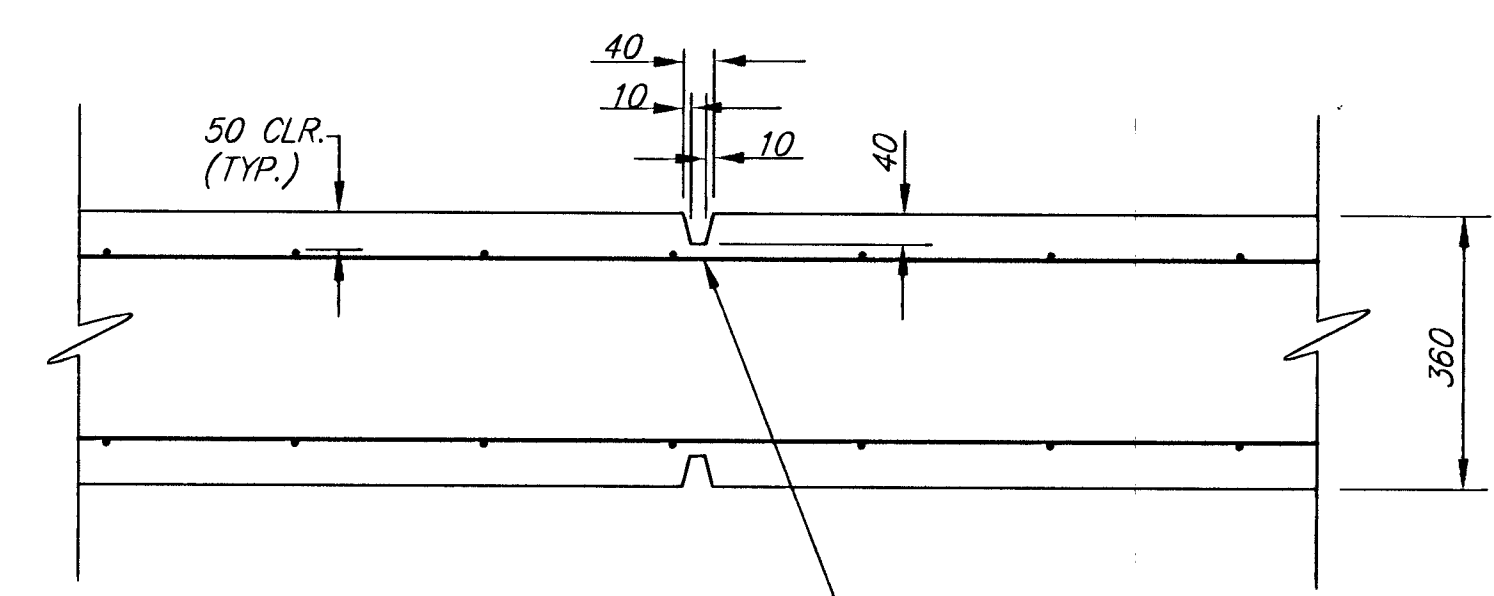
TYPE 1 RETAINING WALL



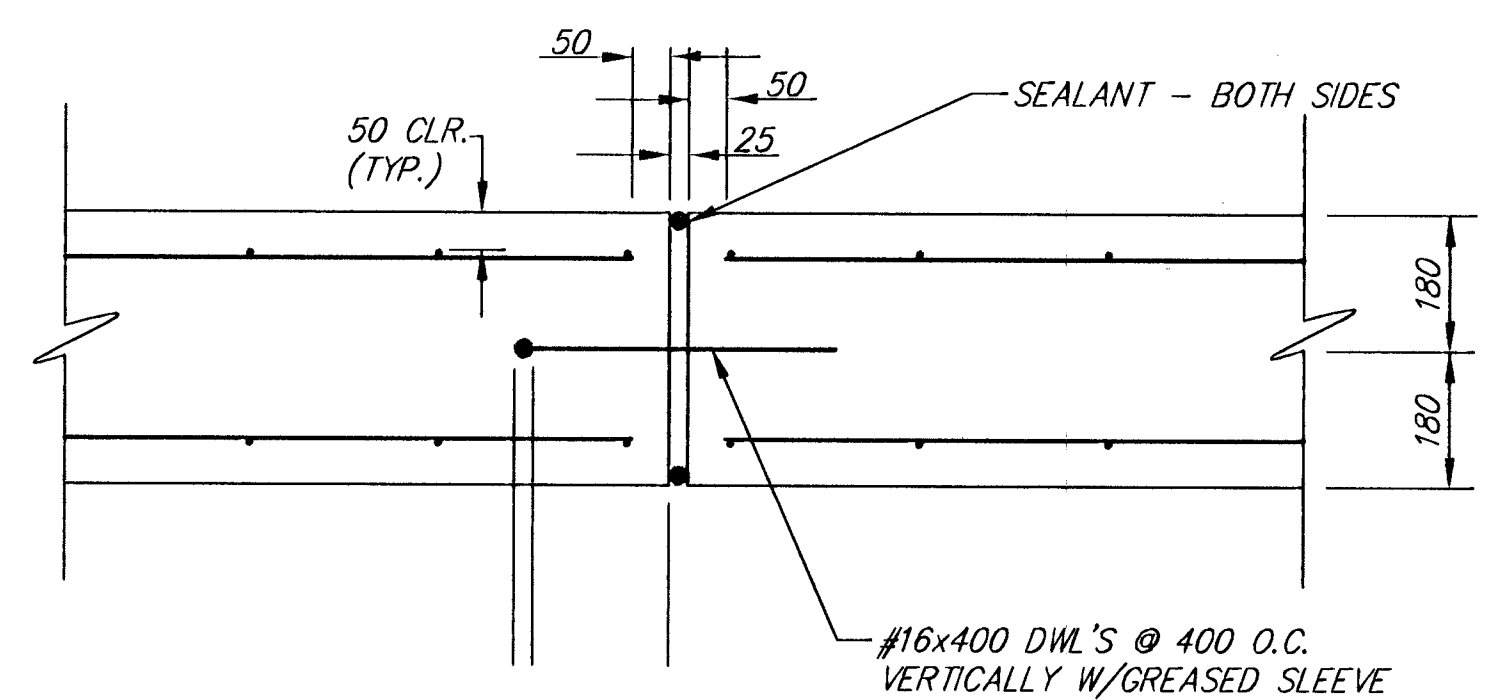
TYPE 2 RETAINING WALL



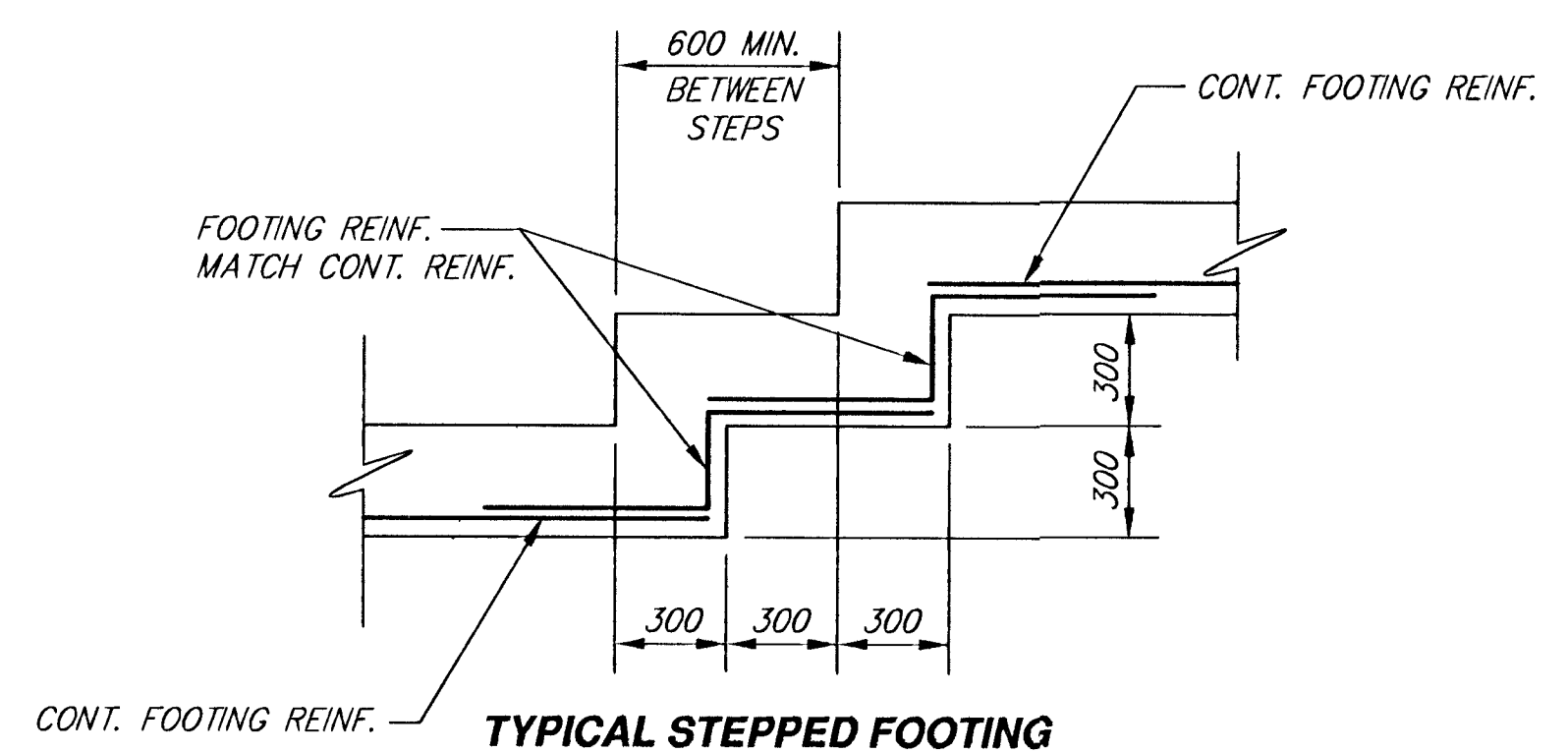
TYPE 3 RETAINING WALL



**PLAN VIEW
TYPICAL CONTROL JOINT DETAIL**



**PLAN VIEW
TYPICAL EXPANSION JOINT DETAIL**



TYPICAL STEPPED FOOTING

- DESIGN AND CONSTRUCTION SHALL CONFORM TO THE "UNIFORM BUILDING CODE, 1997 EDITION", AS AMENDED AND ADOPTED BY THE CITY OF WICHITA, KANSAS.
- THE TOTAL LOAD SOIL BEARING PRESSURE DOES NOT EXCEED 12,206.0 kg/sm FOOTING. FOOTINGS SHALL BEAR INTO UNDISTURBED NON-ORGANIC SOILS OR INTO A CONTROLLED FILL. THE CONTRACTOR SHALL PROVIDE SOIL TESTING SERVICES TO VERIFY SOIL CONDITIONS AND PROVIDE WRITTEN VERIFICATIONS TO THE ENGINEER. ALL EXTERIOR OR PERIMETER FOOTINGS SHALL EXTEND AT LEAST 1070mm BELOW FINAL ADJACENT GRADE. IF ACTUAL SITE CONDITIONS DO NOT SATISFY THESE REQUIREMENTS, COORDINATE ADJUSTMENTS WITH THE ENGINEER.
- FOOTINGS MAY BE POURED TO NEAT LINES OF EXCAVATIONS PROVIDING VERTICAL LINES OF EXCAVATIONS CAN BE MAINTAINED DURING CONCRETE PLACEMENT. THE GENERAL CONTRACTOR SHALL BE RESPONSIBLE FOR VERIFICATION THAT ALL COLUMN BASE PLATES WILL FULLY BEAR ON CONCRETE PIERS/FOOTINGS. INCREASE SIZE WHERE REQUIRED TO ACCOMMODATE FULL BEARING; COORDINATE WITH ENGINEER.
- NO ALUMINUM SHALL BE IMBEDDED IN ANY CONCRETE.
- ALL STRUCTURAL REGULAR WEIGHT CONCRETE SHALL HAVE A MINIMUM COMPRESSIVE STRENGTH OF 20.685 MPa AT 28 DAYS (TYPICAL UNLESS NOTED). ALL CONCRETE SHALL BE IN CONFORMANCE WITH THE LATEST A.C.I. 301 STANDARDS PUBLICATION.
- ALL REINFORCING BARS SHALL MEET ASTM A615 GRADE, 60m.
- CONCRETE PROTECTION FOR REINFORCEMENT SHALL BE 20mm CLEAR FOR SLABS, 50mm CLEAR FOR FORMED SURFACES AND 75mm CLEAR FOR FOOTINGS (TYPICAL UNLESS NOTED).
- REINFORCEMENT SHALL CONTINUOUS AND LAPPED 30 BAR DIAMETERS (610mm MIN.) EXCEPT AS NOTED AND PROVIDE CORNER BARS OF SAME SIZE AND SPACING.
- REINFORCEMENT SHALL BE DETAILED IN ACCORDANCE WITH THE LATEST A.C.I. DETAILING MANUAL BY A QUALIFIED AND EXPERIENCED FIRM AND PERSON. ALL STRUCTURAL STEEL SHALL MEET ASTM A36 AND ANCHOR BOLTS - ASTM A307, TYPICAL UNLESS NOTED. STRUCTURAL STEEL SHALL BE NEW AND MEET THE NINTH EDITION A.I.S.C. "SPECIFICATIONS FOR STRUCTURAL STEEL AND BRIDGES", AND "THE CODE OF STANDARD PRACTICES FOR STEEL BUILDINGS AND BRIDGES".
- TEMPORARY BRACING AND SHORING AGAINST SOIL AND ERECTION CONDITIONS TO BE THE RESPONSIBILITY OF THE GENERAL CONTRACTOR.
- CONTRACTOR TO VERIFY ALL DIMENSIONS, ELEVATIONS, AND EXISTING CONDITIONS AND REPORT ANY DISCREPANCIES TO THE ENGINEER IMMEDIATELY.

**CENTRAL & RIDGE ROAD INTERSECTION IMPROVEMENTS
RETAINING WALL DETAILS**

SRB 924 NORTH MAIN 316-264-0008
WICHITA, KANSAS 67203 FAX 264-4821
http://www.felst.com/~srb E-Mail: ur@felst.com

SAVOY, RUGGLES & BOHM, P. A.
ENGINEERING & SURVEYING

PROJECT NUMBER
472-76-245-83057-000-000-001

GROUP	DESIGN	REVIEW	DATE	UTILITY	SRB JOB
TEB/SRA	KWL		Dec. 13, 2000		1218T

39
118