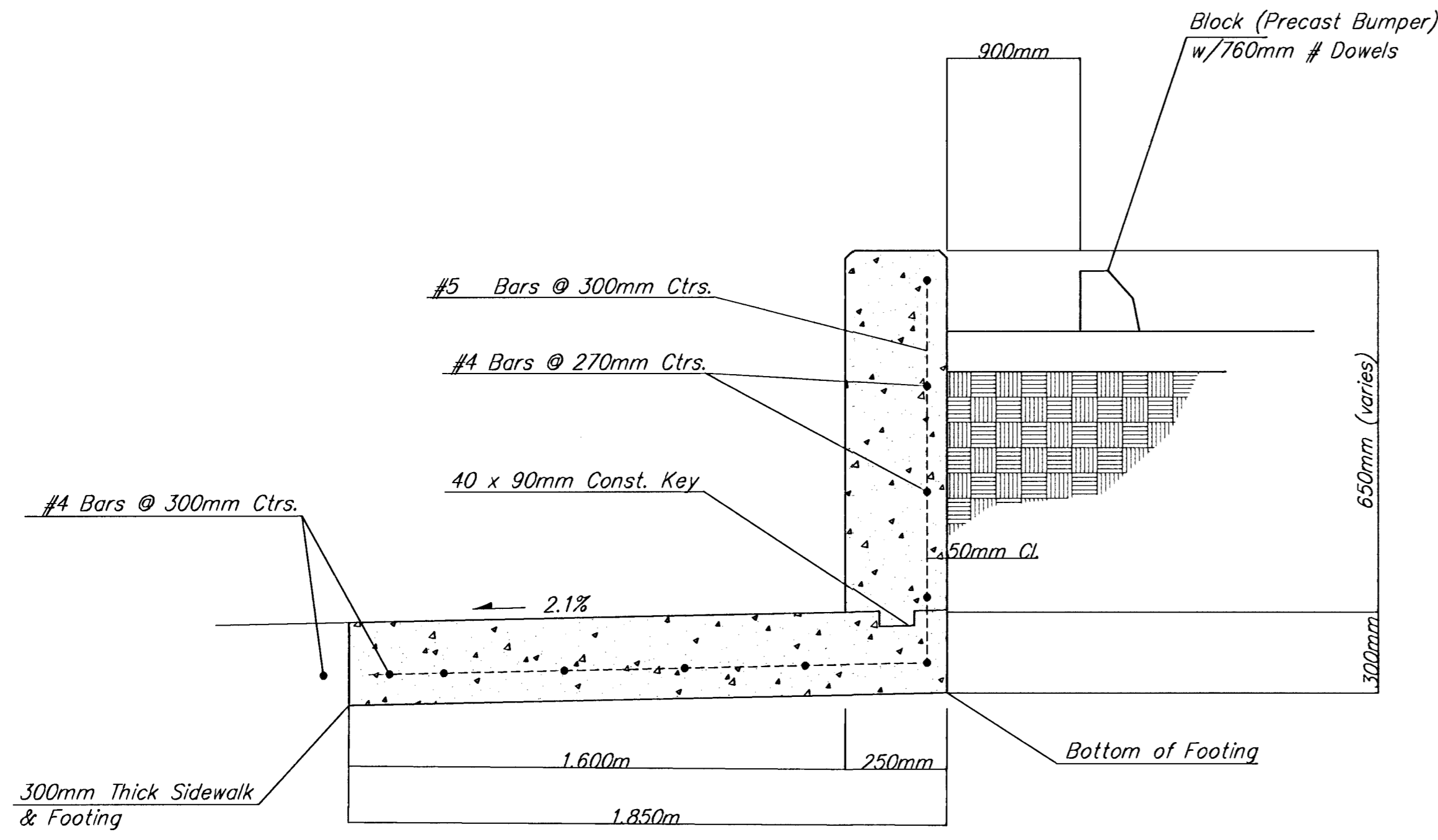


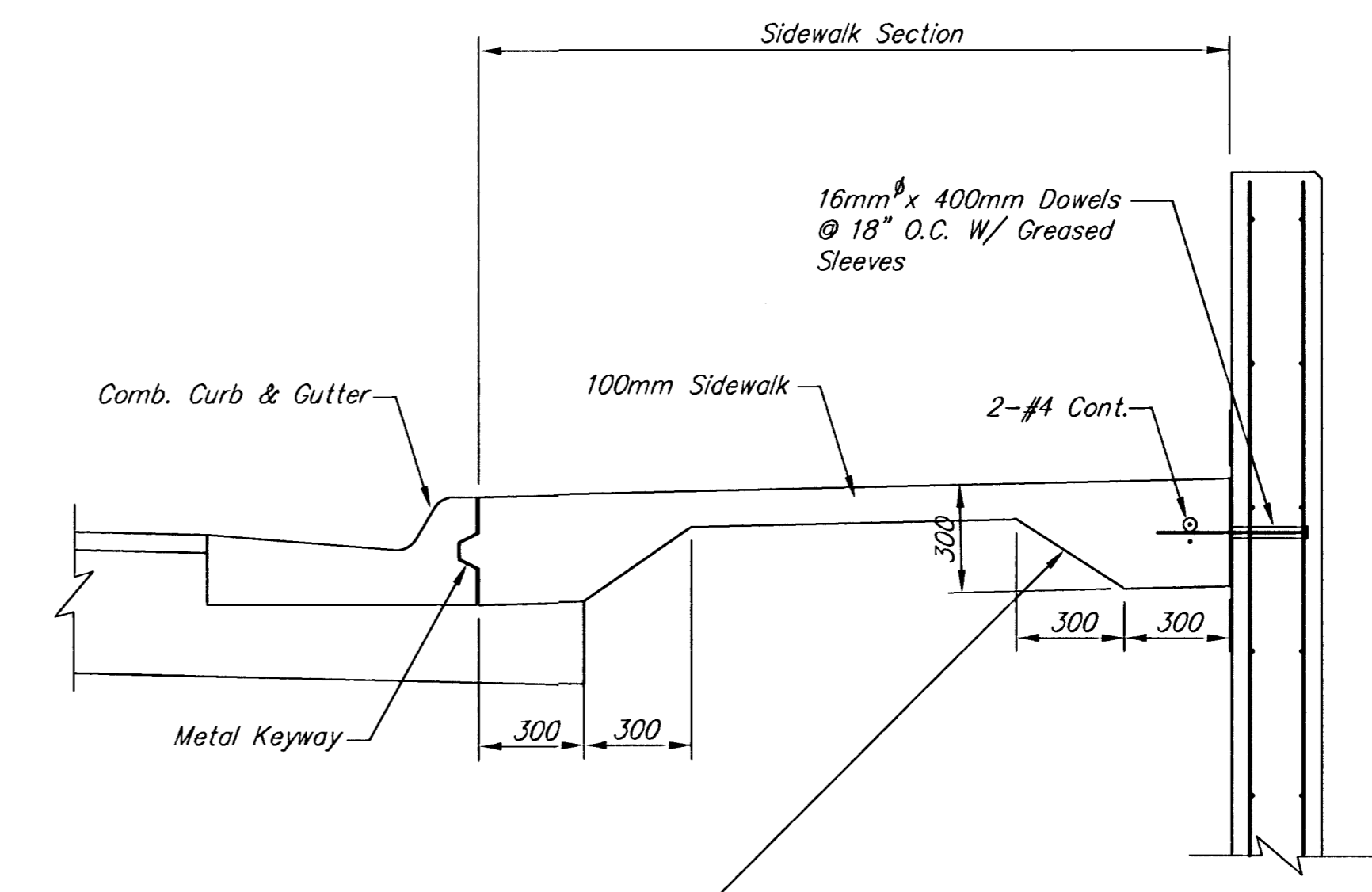
FHWA REGION NO.	STATE	PROJECT NUMBER	FISCAL YEAR	SHEET NUMBER	TOTAL SHEETS
7	KANSAS	87N-0128-01	1999	40	118

BY	DATE
REFERENCES NOTED	
REFERENCES CHECKED	



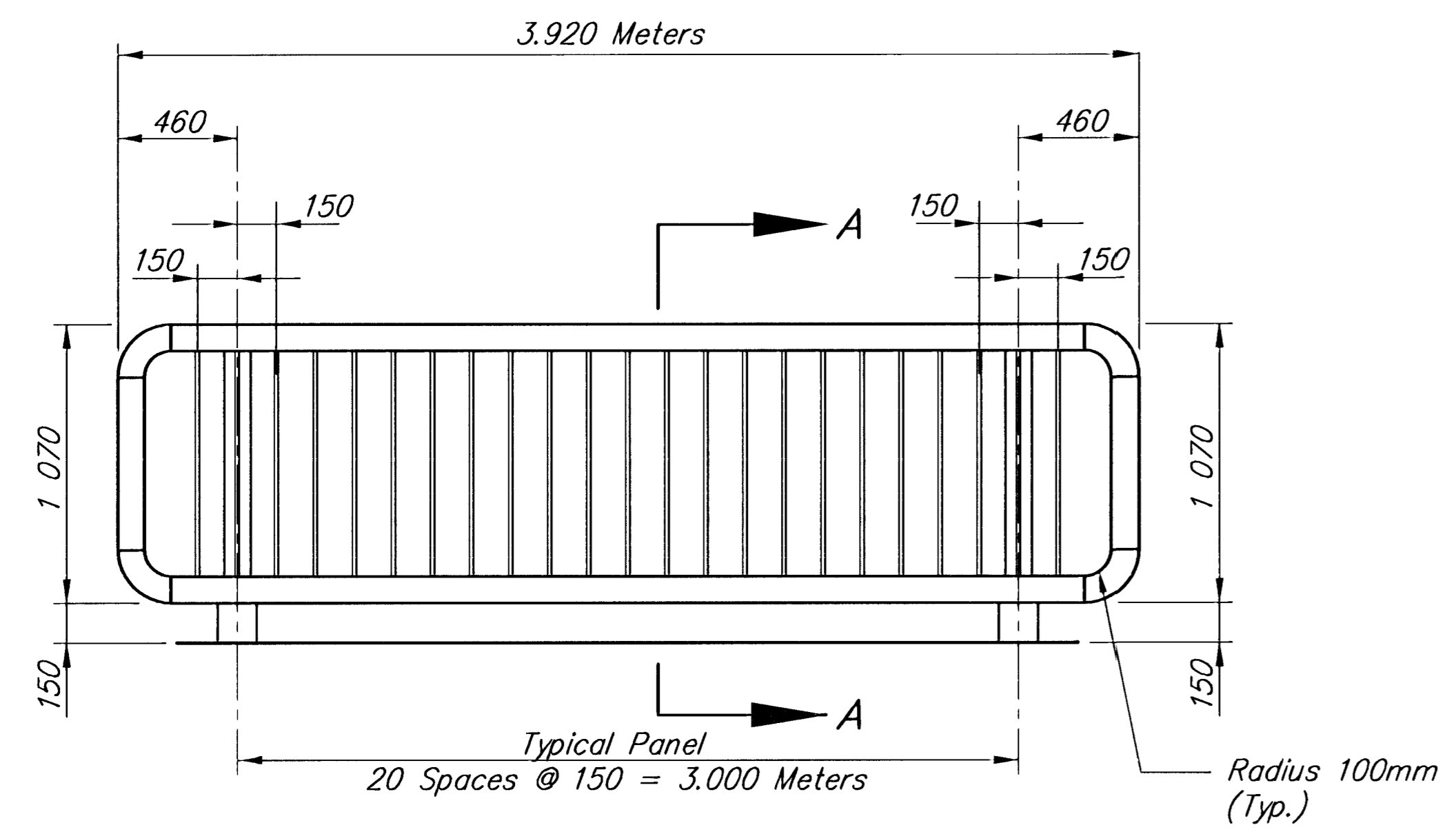
RETAINING WALL SECTION

STA. 9+838.300 TO 9+858.750 Central



NOTE: Thickened sidewalk section; 16mm dowels and sleeves; and continuous #4 bars above and below dowels in sidewalk section are subsidiary to the bid item for "Sidewalk Construction (100mm)(AE)"

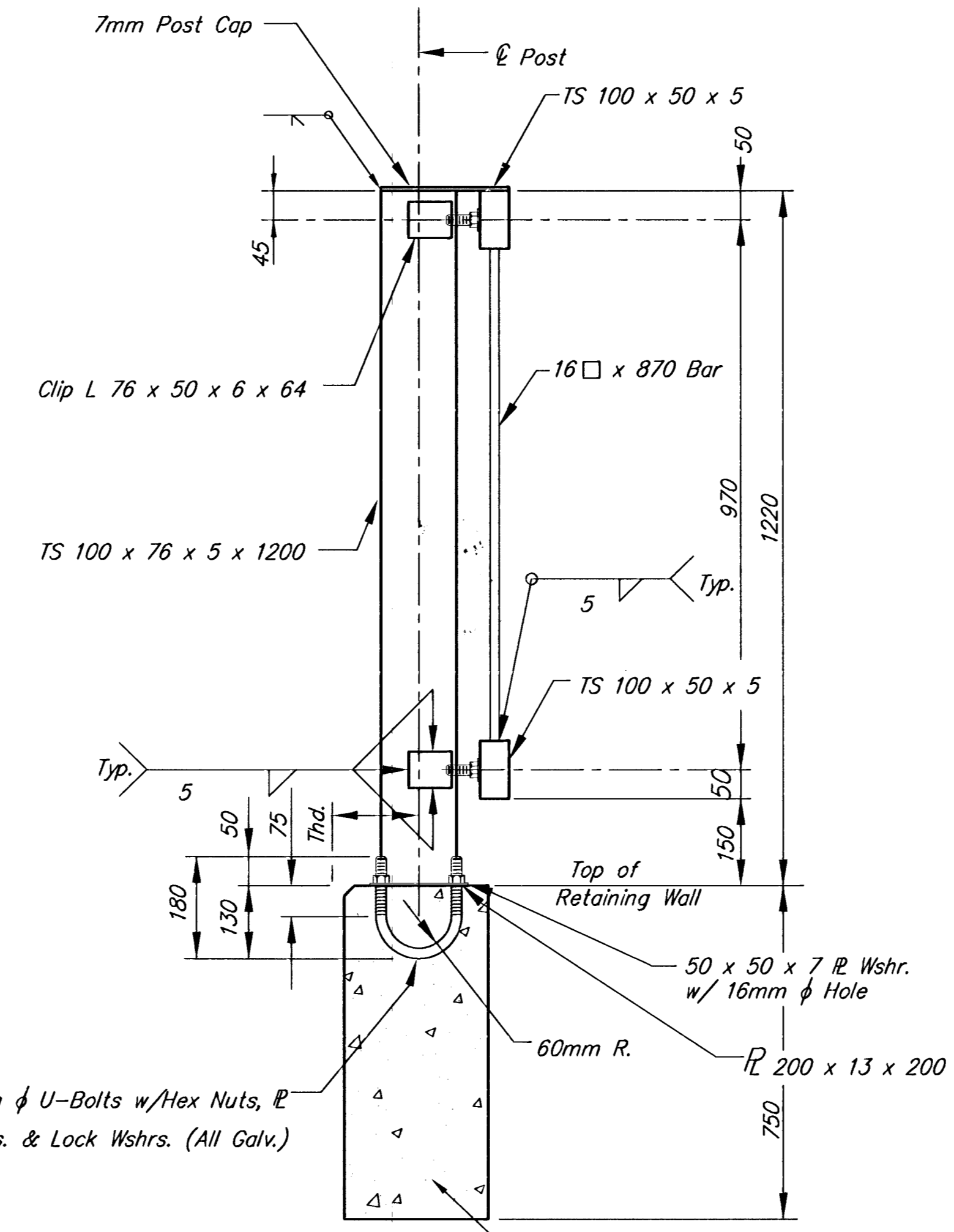
SIDEWALK CONNECTION DETAIL



HANDRAIL DETAILS

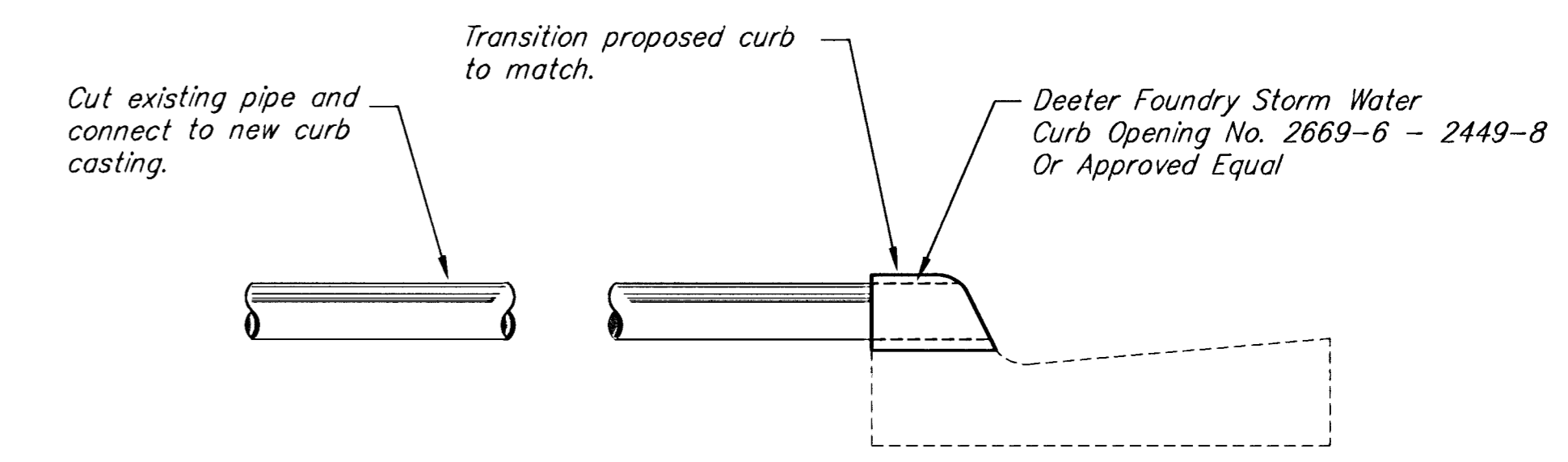
(Ridge) 5+280 LEFT

See Sheet ___ for Additional Handrail Details not Shown here.



SECTION A-A

300mm Dia. hole in compacted soil or 100mm compacted aggregate base



SPECIAL CURB CASTING DETAIL

**CENTRAL & RIDGE ROAD INTERSECTION IMPROVEMENTS
RETAINING WALL DETAILS**

SRB 924 NORTH MAIN 318-284-8008
WICHITA, KANSAS 67203 FAX 318-4821
http://www.feist.com/~srb E-Mail: srb@feist.com

SAVOY, RUGGLES & BOHM, P.A.
ENGINEERING & SURVEYING

PROJECT NUMBER
472-76-245-83057-000-000-001

DESIGN	REVIEW	DATE	UTILITY	SRB JOB
TEB/JRA	KWL	Dec. 13, 2000		1218T

40
118