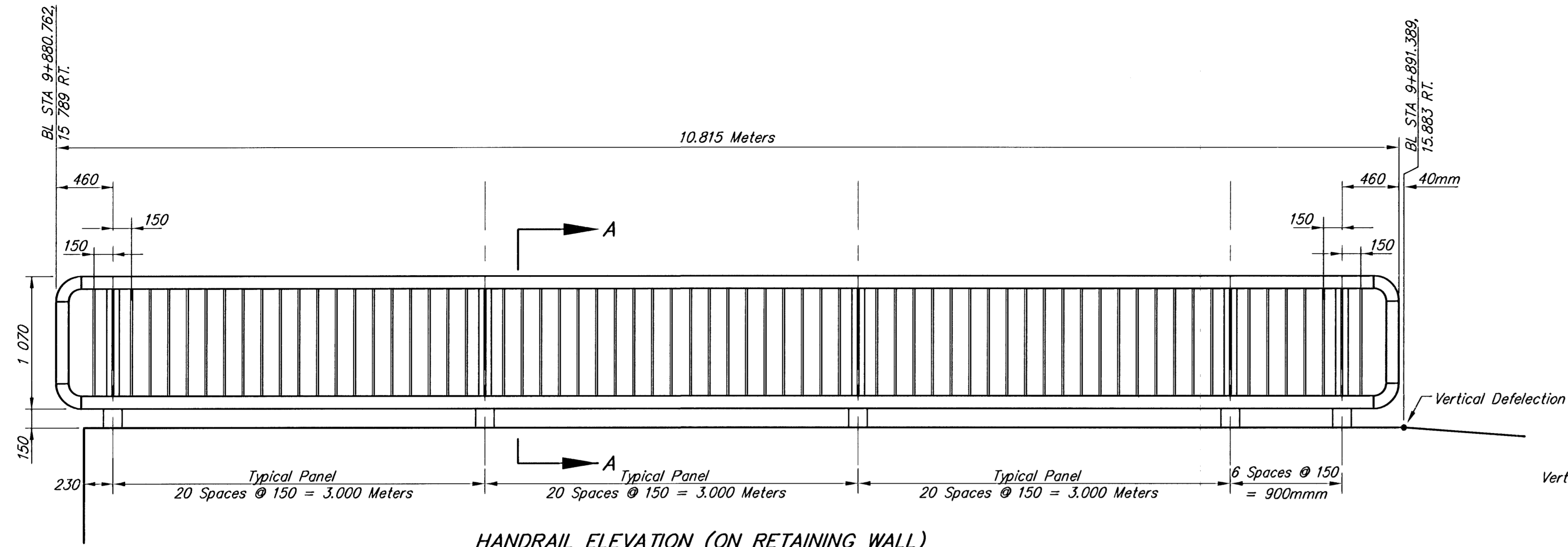
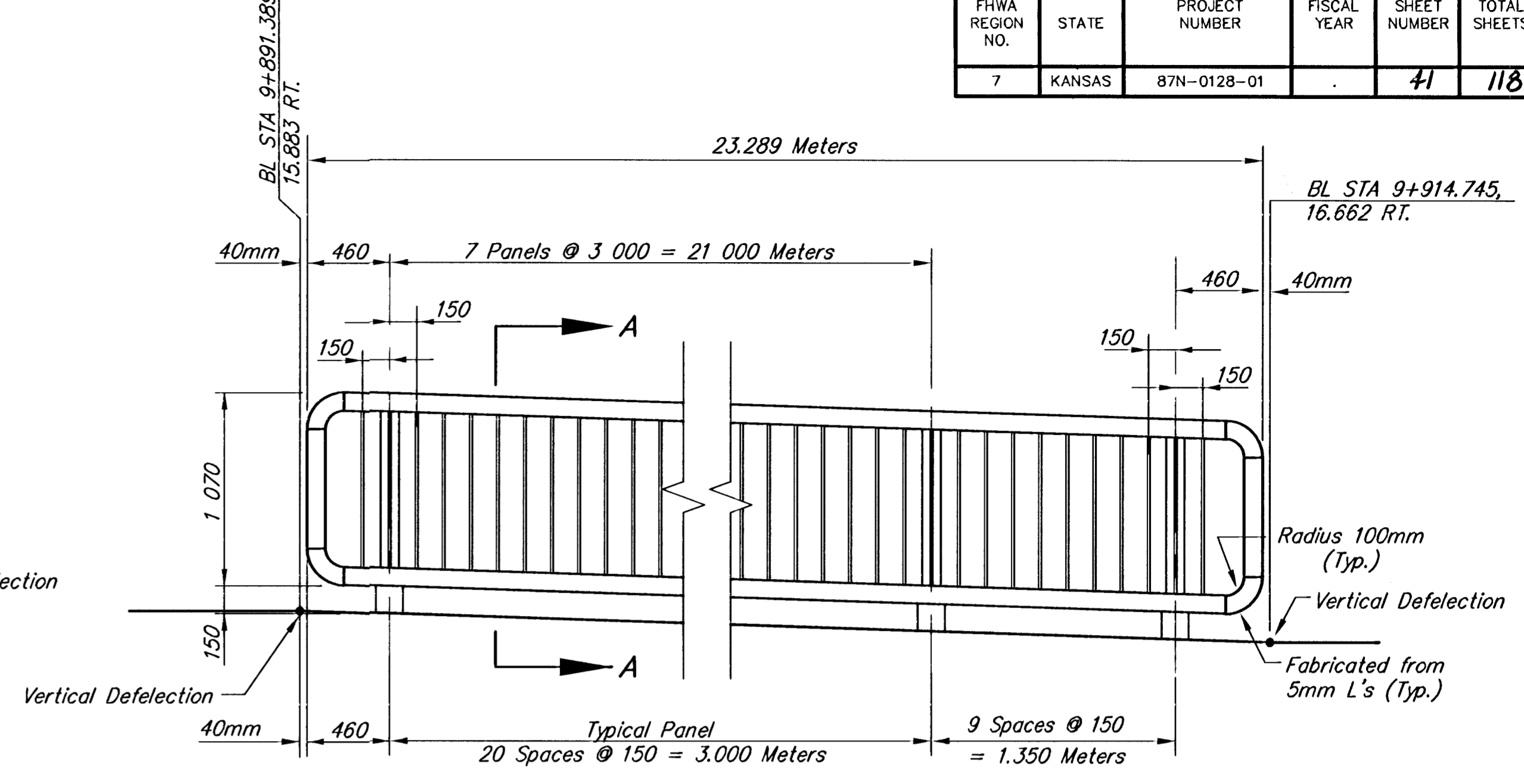


FHWA REGION NO.	STATE	PROJECT NUMBER	FISCAL YEAR	SHEET NUMBER	TOTAL SHEETS
7	KANSAS	87N-0128-01		41	118

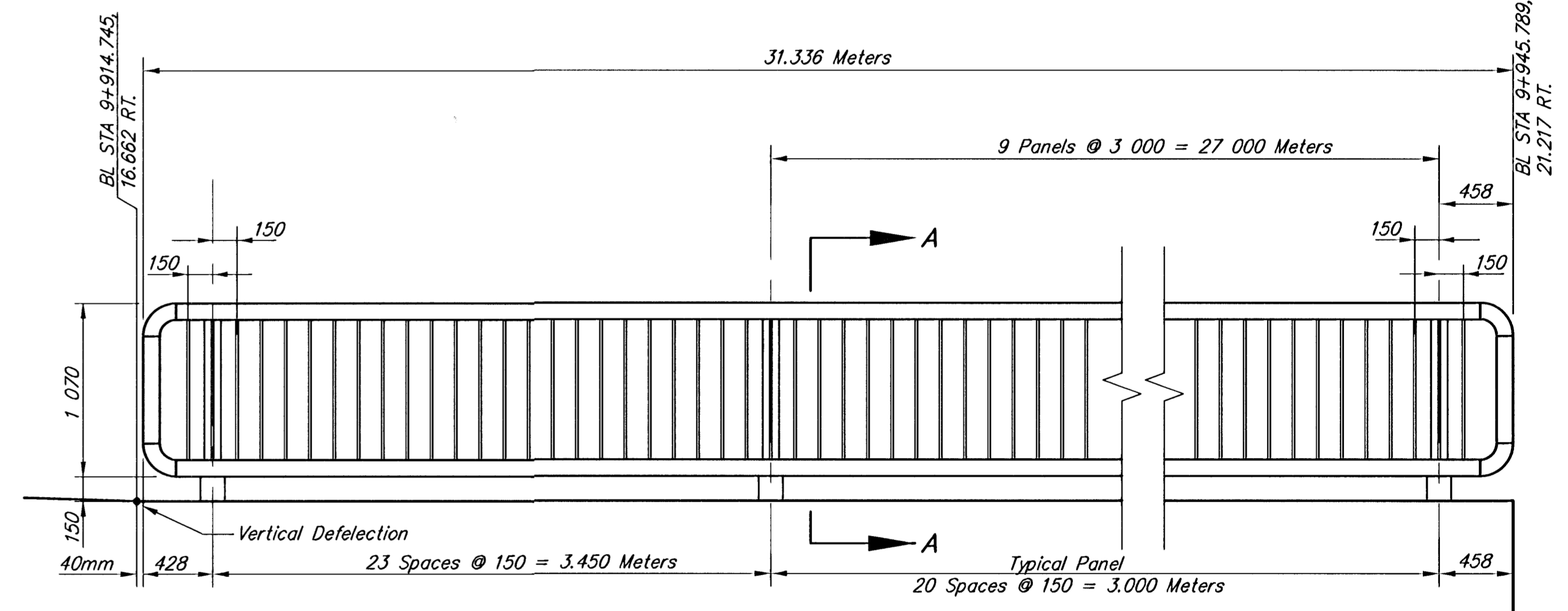
BY	DATE
REFERENCES NOTED	REFERENCES CHECKED



HANDRAIL ELEVATION (ON RETAINING WALL)
BL STA 9+880.762, 15.789 RT. to BL STA 9+891.389, 15.883 RT.

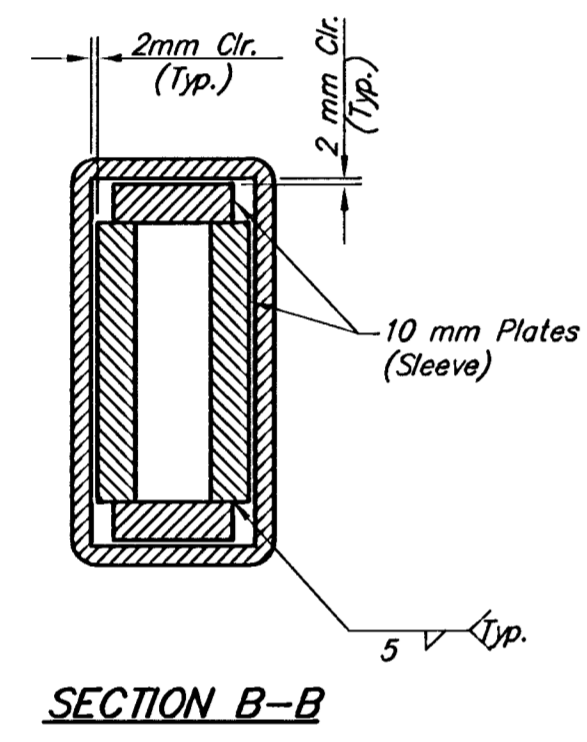


HANDRAIL ELEVATION (ON RETAINING WALL)
BL STA 9+891.389, 15.883 RT. to BL STA. 9+914.745, 16.662 RT.

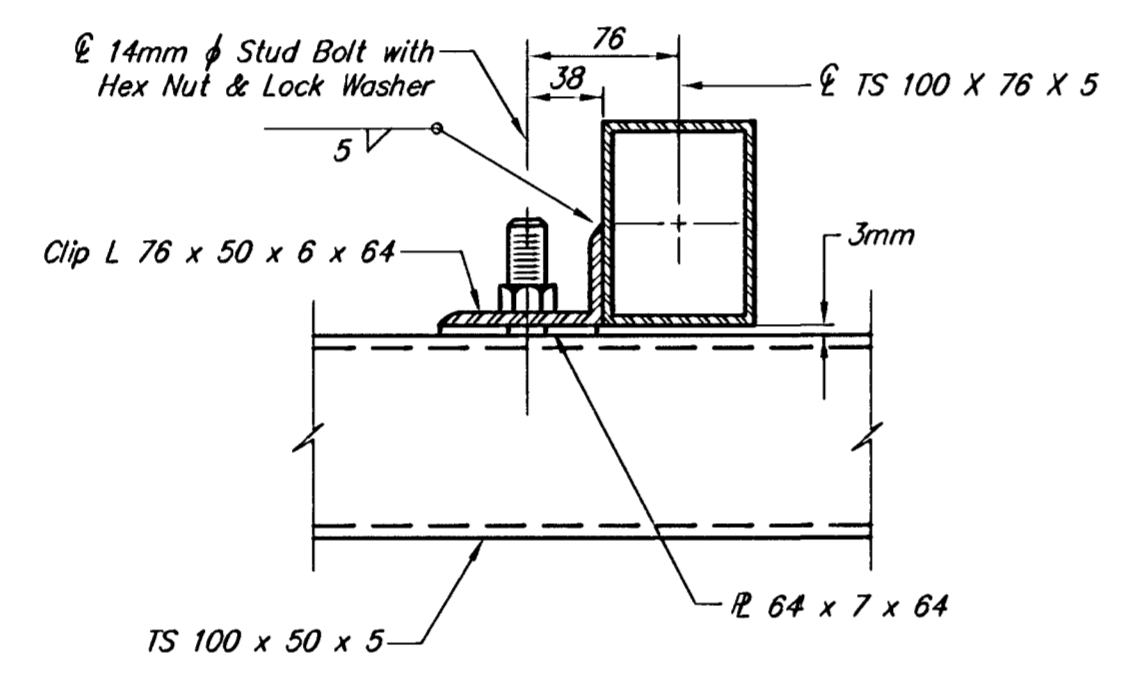


HANDRAIL ELEVATION (ON RETAINING WALL)
BL STA. 9+914.745, 16.662 RT. to BL STA. 9+945.789, 21.217 RT.

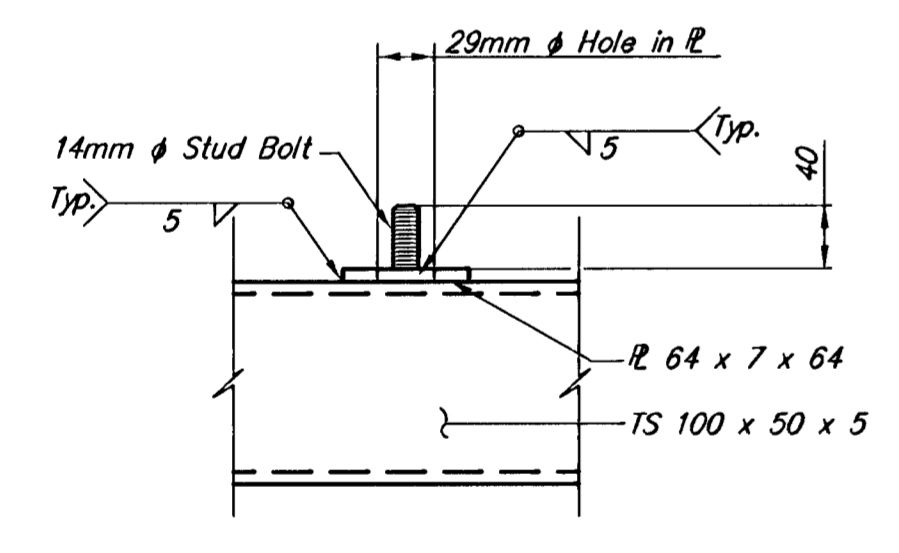
HANDRAIL TABLE	
STA. TO STA.	RAIL LENGTH
9+880.762 TO 9+891.389	10.815 m
9+891.389 TO 9+914.745	23.289 m
9+914.745 TO 9+945.789	31.336 m
Total	65.440 m



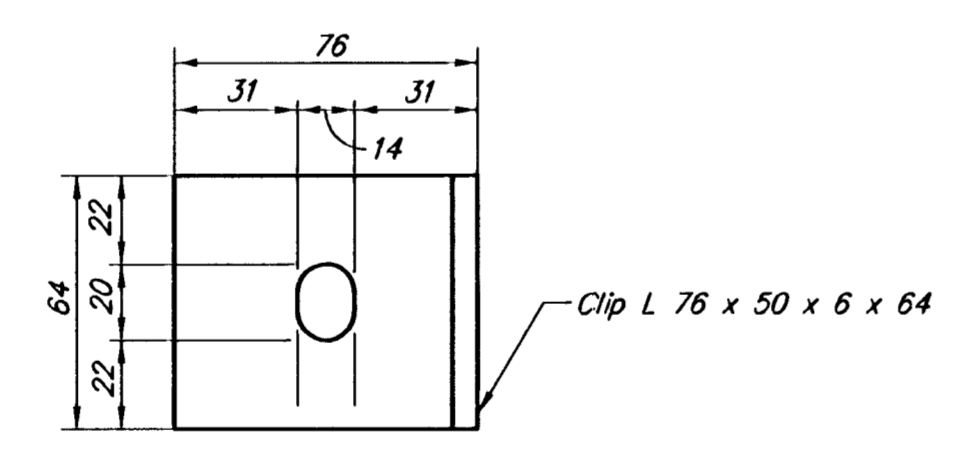
SECTION B-B



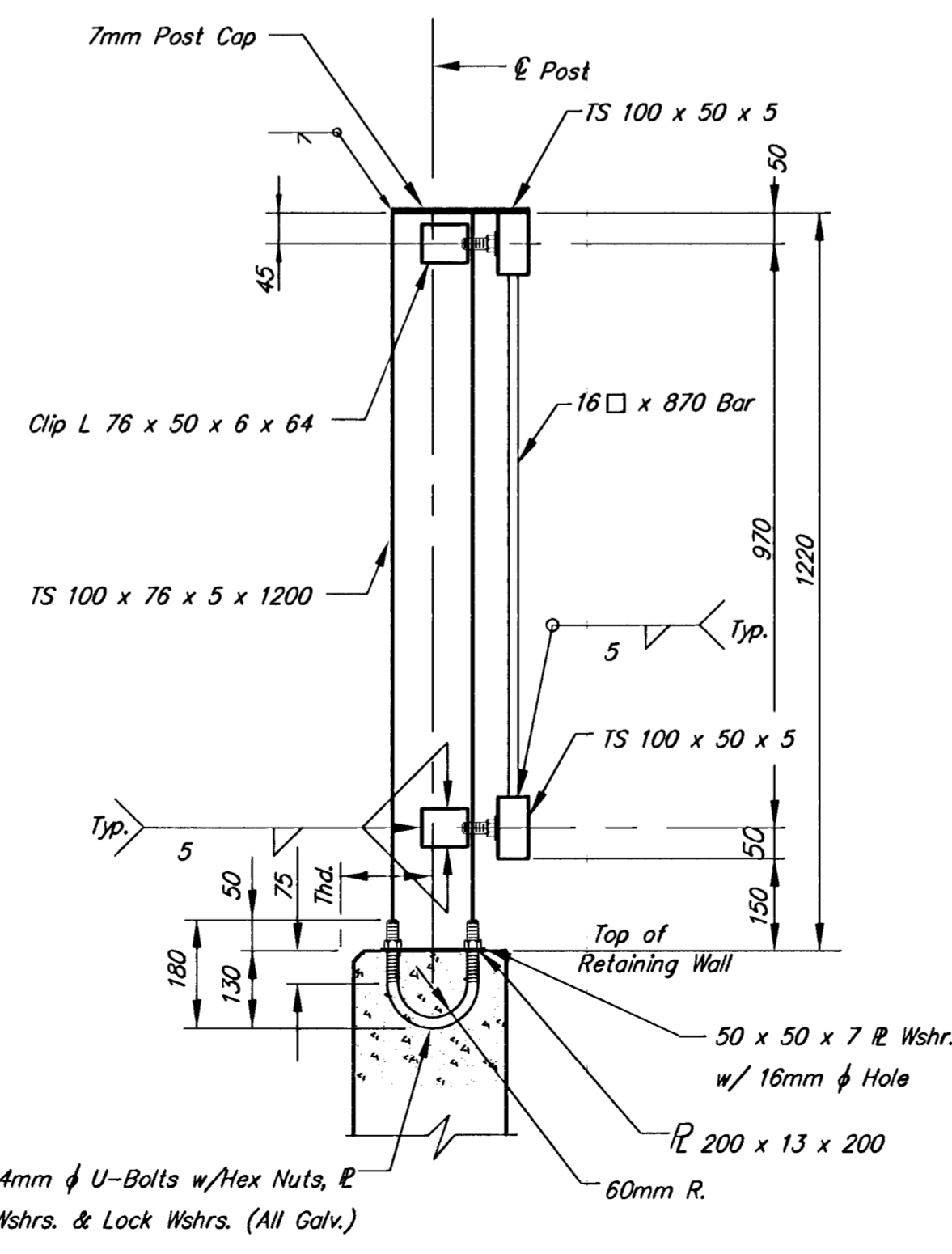
RAIL CONNECTION DETAIL



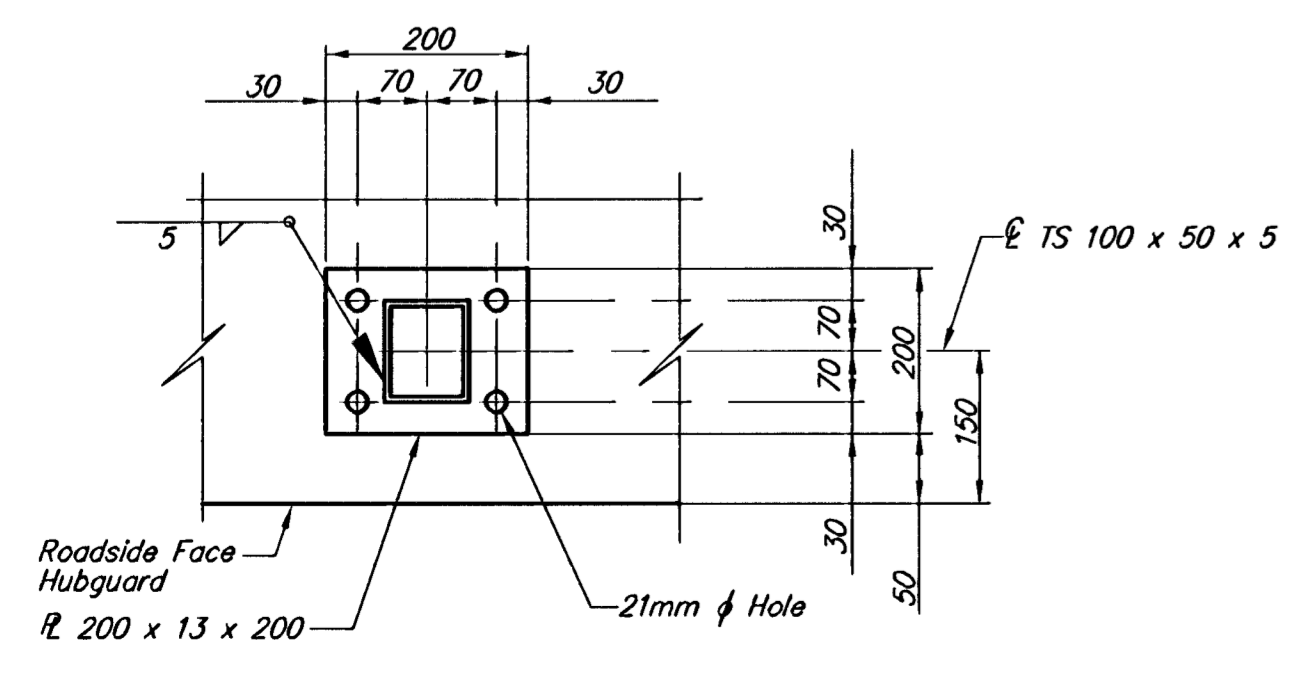
STUD BOLT DETAIL



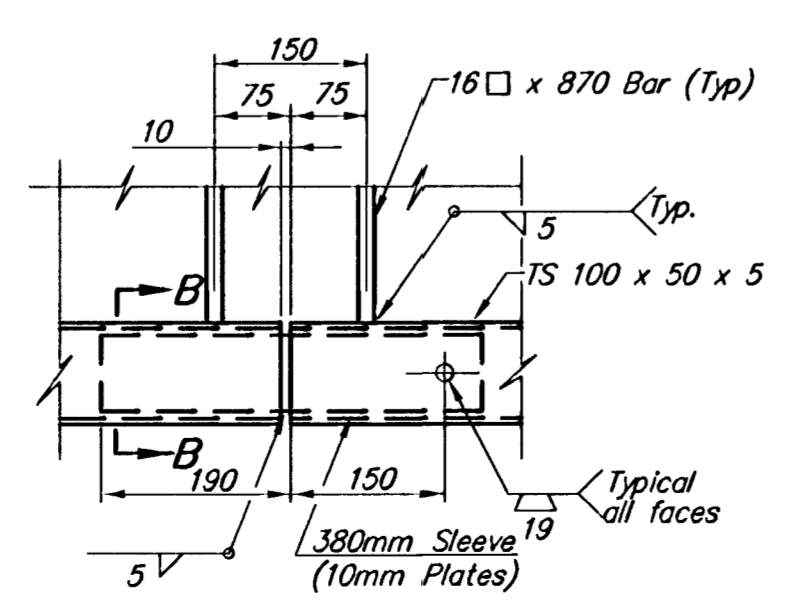
CLIP DETAIL



SECTION A-A



BASE PLATE DETAIL



SLEEVE DETAIL

HANDRAIL NOTES:

- The rail members shall conform to ASTM Designation A36 or equivalent.
- Rail shall be fabricated in lengths to include a minimum of two and a maximum of five panels. Posts shall be set vertical. Shims may be used between concrete and base plates of posts.
- All parts of the Bridge Handrail shall be painted. The primer coat shall be inorganic Zinc per the Standard Specifications for State Road and Bridge Construction, 1990 Edition, Kansas Department of Transportation.
- The finish coat shall be "HIGH BUILD POLYURETHANE FINISH COAT" per section 1800 of the Special Provision to the Standard Specifications Edition of 1990, Kansas Department of Transportation.
- All materials, equipment and labor necessary for the installation of the Handrail on the bridge shall be subsidiary to the bid item, "Handrail (Metal)".
- The finish coat shall be olive green in color. Contractor to submit color chart to Engineer for approval. Touch Up: All bolts, nuts and studs and other small areas of damaged paint (1 sq. m. or less) requiring touch up will be prepared and painted w/approved aluminum epoxy mastic primer.

HANDRAIL (METAL) DETAIL
CENTRAL AVE. RETAINING WALL

SRB 924 NORTH MAIN WICHITA, KANSAS 67203 316-264-8009 FAX 264-4821

SAVOY, RUGGLES & BOHM, P. A.
ENGINEERING & SURVEYING

PROJECT NUMBER: 472-76-245-83057-000-000-001

DATE: Dec. 13, 2000

DESIGN: CMB REVIEW: JRA/TEB

NO. 41 OF 118 SHEETS