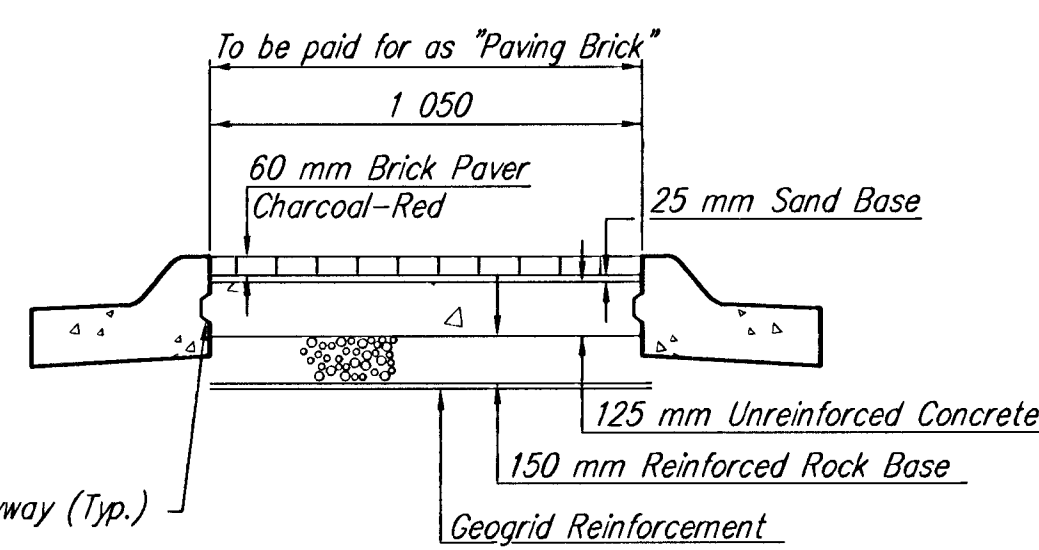
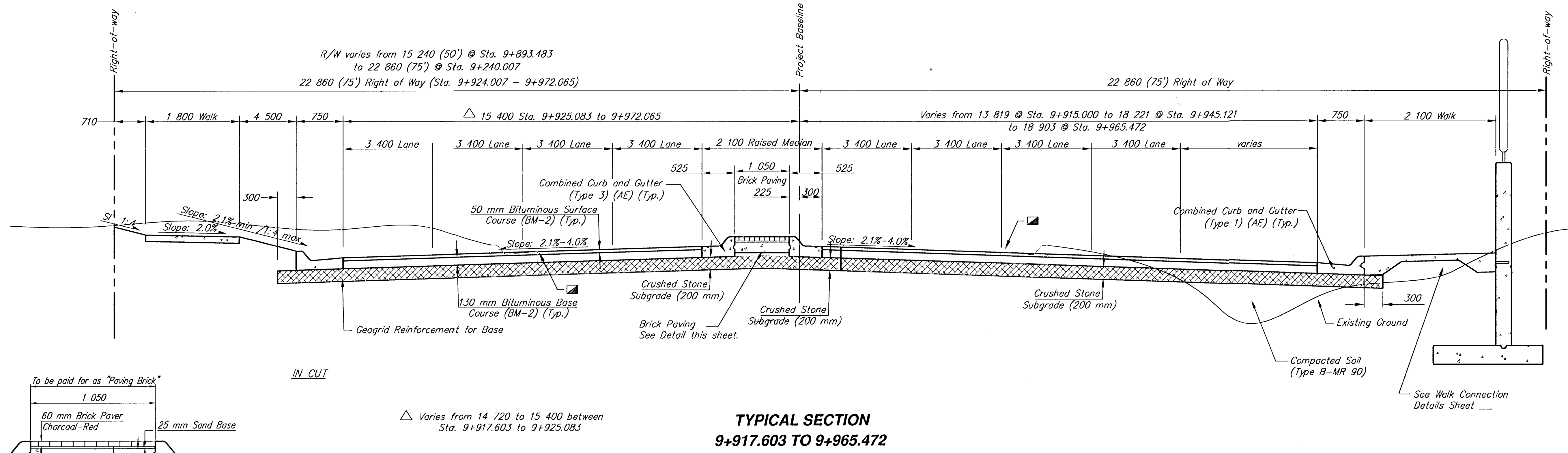
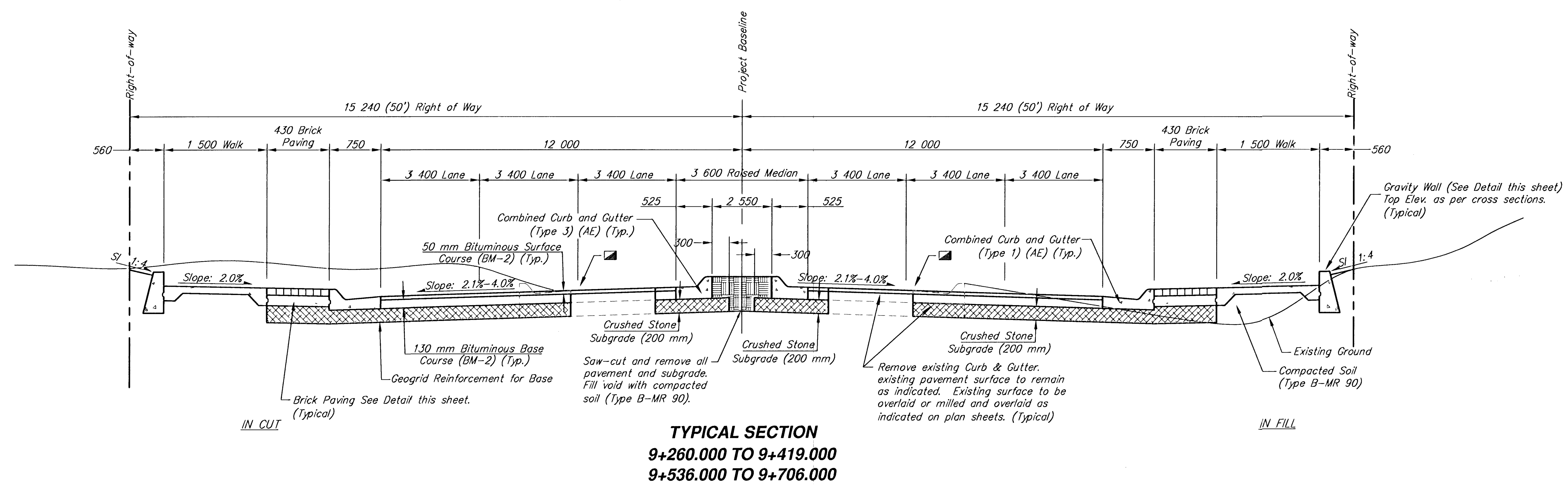


FHWA REGION NO.	STATE	PROJECT NUMBER	FISCAL YEAR	SHEET NUMBER	TOTAL SHEETS
7	KANSAS	87N-0128-01		4	118

BY	DATE



NOTE: Construction of the interlocking precast concrete paving stones shall conform to special provision 90P-3956.

CENTRAL AND RIDGE ROAD IMPROVEMENTS
TYPICAL SECTIONS

SRB 924 NORTH MAIN 318-284-8008
WICHITA, KANSAS 67203 FAX 318-284-4021
http://www.srb.com/~srb E-Mail: srb@srbc.com

SAVOY, RUGGLES & BOHM, P.A.
ENGINEERING & SURVEYING

PROJECT NUMBER
472-76-245-83057-000-000-001

DESIGN	DATE	UTILITY	SRB JOB
CMB/KWL	Dec. 13, 2000		1218T