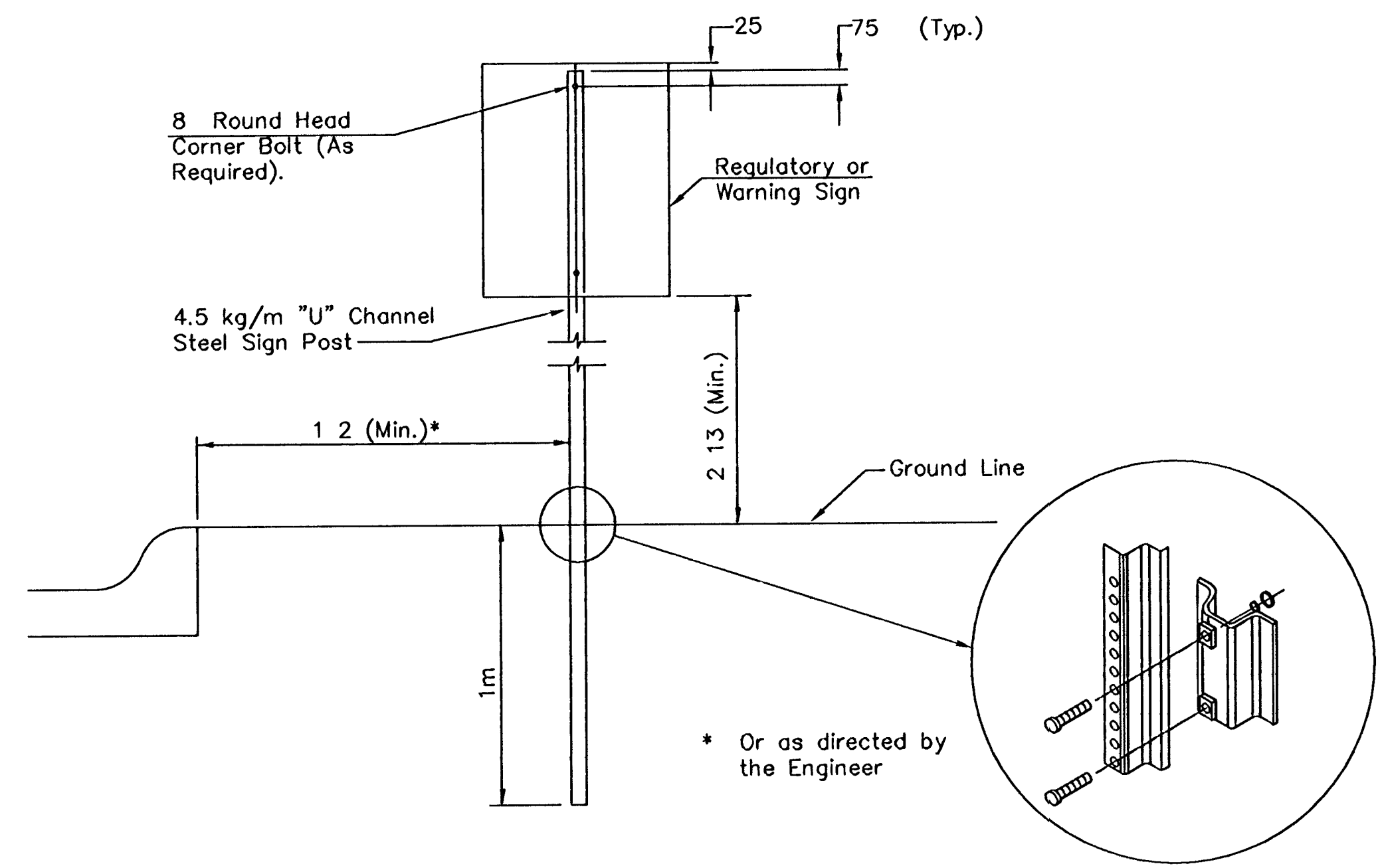
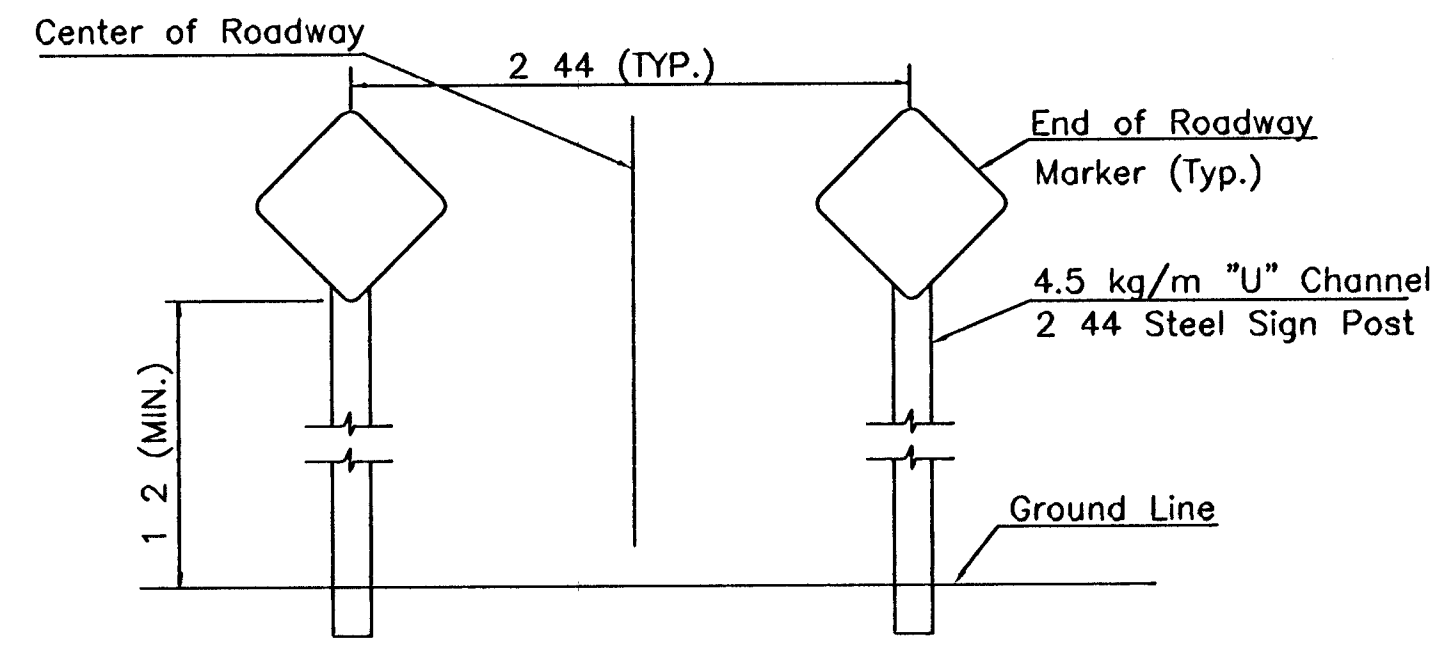
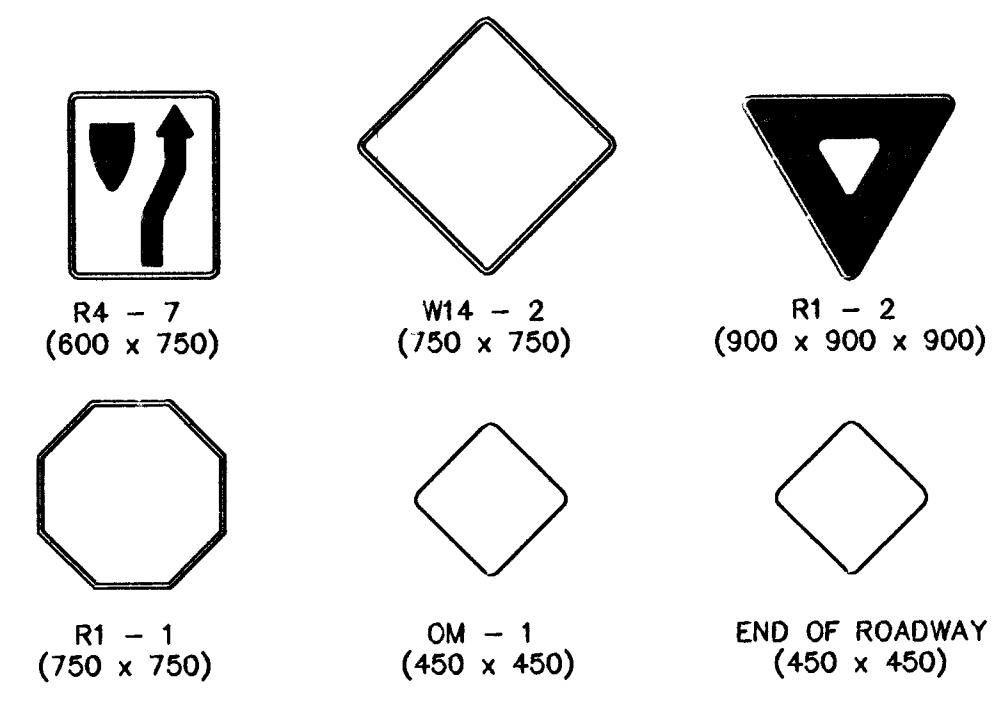


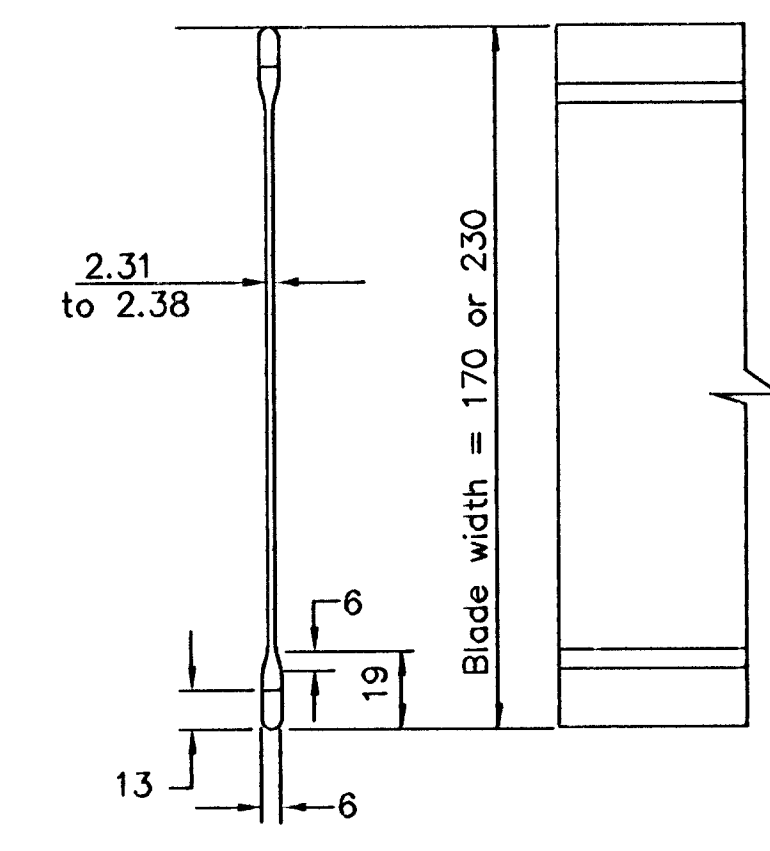
DATE	
BY	
REFERENCES NOTED	
REFERENCES CHECKED	



TYPICAL TRAFFIC CONTROL SIGN MOUNTING INSTALLATION  
CURB AND GUTTER SECTION



TYPICAL END OF ROADWAY SIGN MOUNTING INSTALLATION

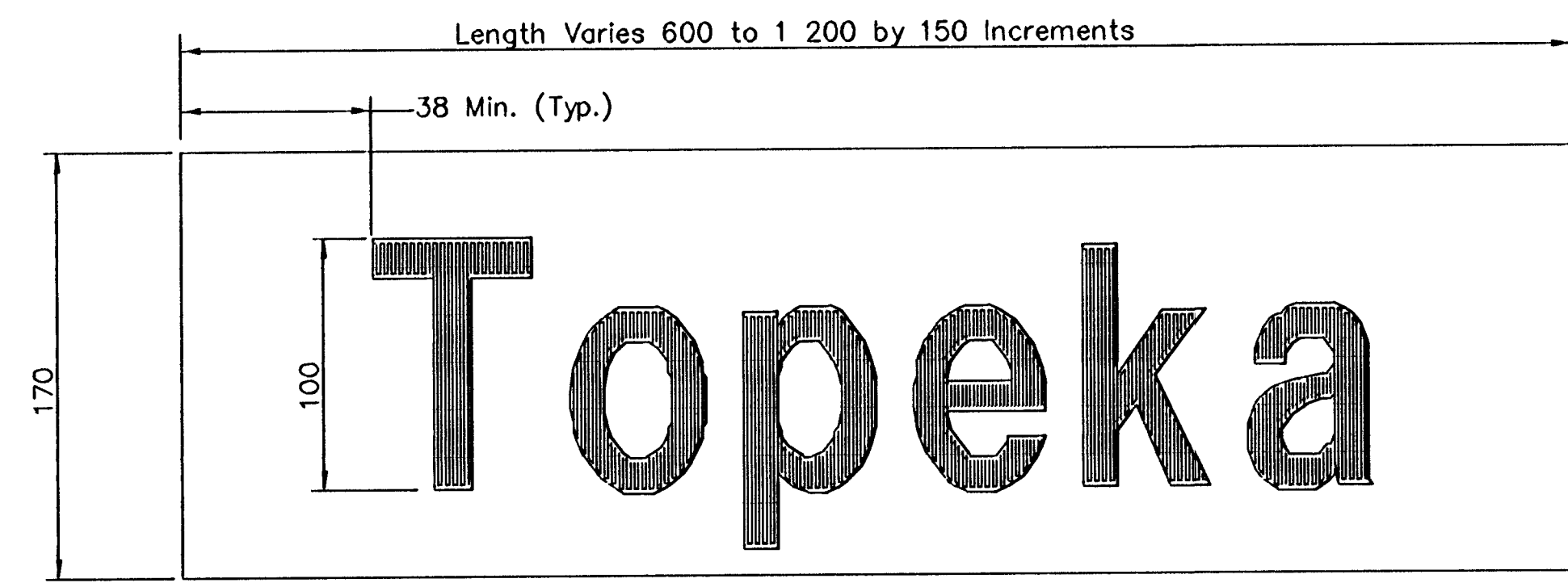


STREET NAME SIGN  
BLADE DETAILS

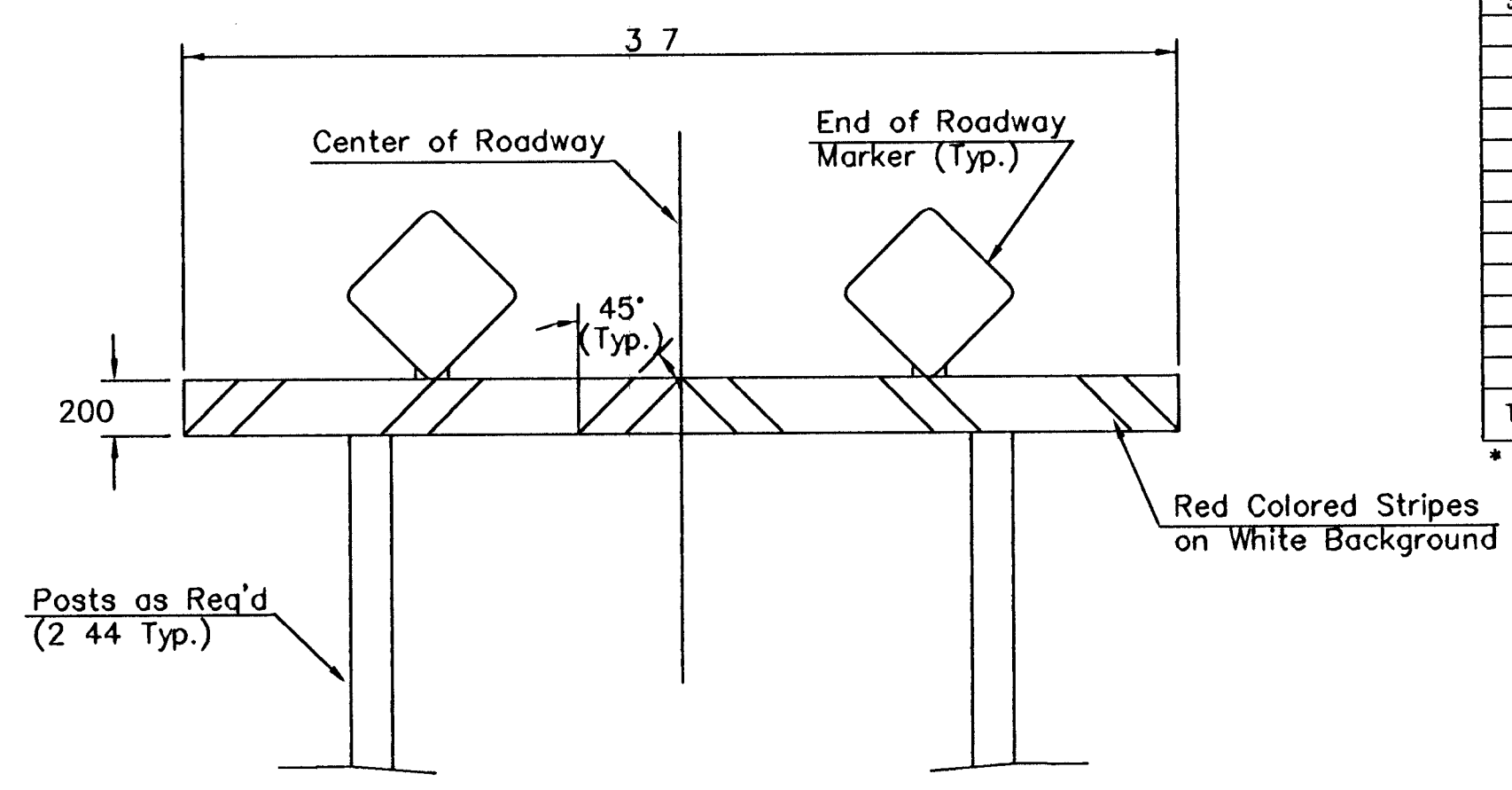
STATION	OFFSET	SIGN	QUANTITY*
<b>CENTRAL</b>			
9+208	LT.	SWS	1
9+487	LT.	SWS	1
9+764	LT.	SWS	1
10+441	RT.	SWS	1
<b>RIDGE</b>			
4+755	LT.	SWS	1
5+229	LT.	SWS	1
5+507	LT.	SWS	1
<b>TOTAL</b>			

\* FOR INFORMATION ONLY

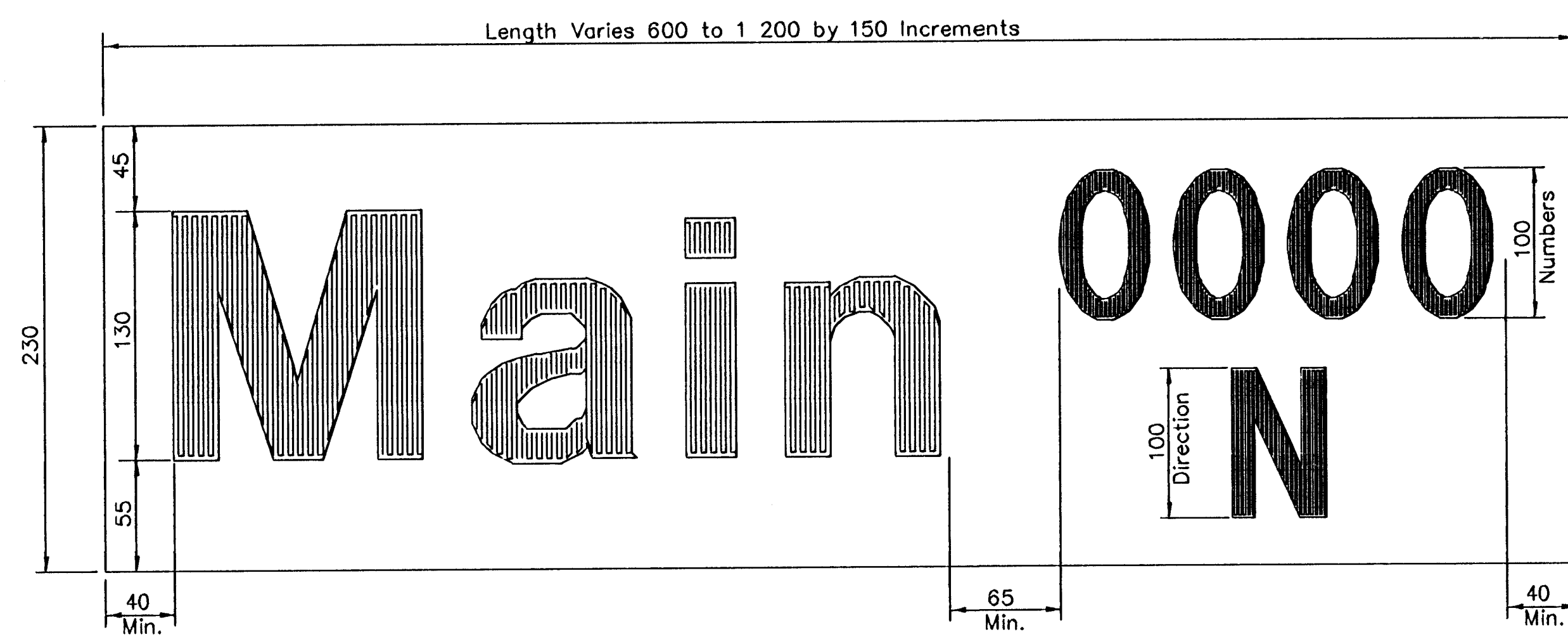
STREET NAME	NO. BLADES REQ'D	
	170 STD.	230 METRO
Woodchuck 700N Central 7900W	2	
Redbarn 700N Central 7600W	2	
Country Acres 700N Central 7400W	2	
Winterset 600N Central 6700W	2	
Newell 7200W Ridge 500N	2	
Denmark 7200W Ridge 800N	2	
Wilbur 7200W Ridge 900N	2	



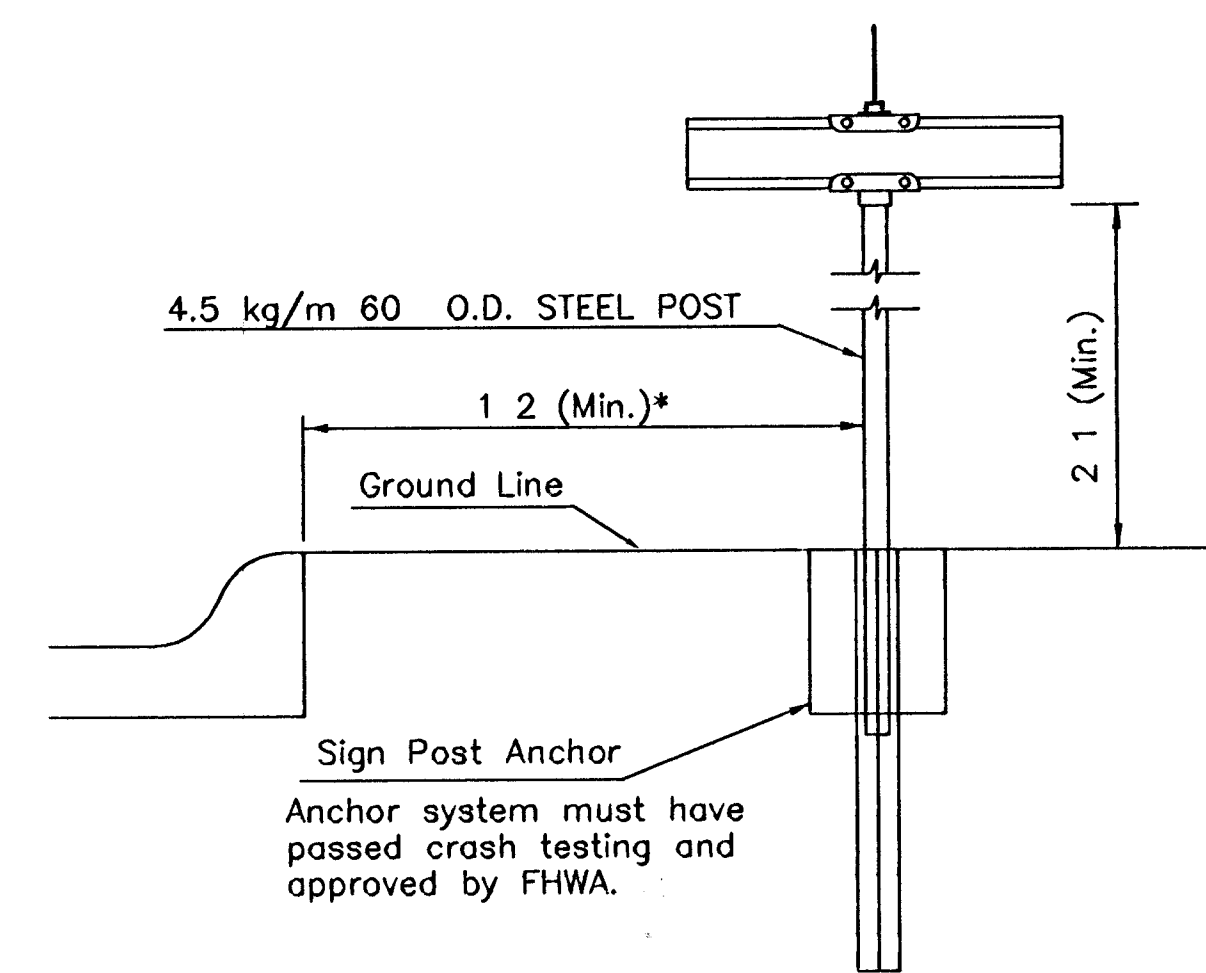
DETAIL A  
170 STANDARD



TYPE I BARRICADE DETAIL W/ E.O.R. MARKER



DETAIL B  
230 METRO



TYPICAL STREET NAME SIGN MOUNTING INSTALLATION  
CURB AND GUTTER SECTION

- NOTE: REFERENCES BELOW TO "STANDARD SPECIFICATIONS" DENOTE "STANDARD SPECIFICATION FOR STATE ROAD AND BRIDGE CONSTRUCTION, EDITION 1990" BY THE KANSAS DEPARTMENT OF TRANSPORTATION.
- POST ANCHORS: POSTS SHALL BE ANCHORED WITH A YIELDING BASE POST SUPPORT AS DETAILED.
  - POSTS FOR TRAFFIC CONTROL SIGNS: POSTS SHALL CONFORM TO THE REQUIREMENTS OF SUBSECTION 1620 OF THE STANDARD SPECIFICATIONS EXCEPT THAT ALL POSTS SHALL WEIGH 4.5 kg/m MINIMUM.
  - POSTS FOR STREET NAME SIGNS (SNS): POSTS SHALL BE 2.7m LONG, CONSTRUCTED FROM 60 O.D. GALVANIZED STEEL PIPE WEIGHING A MINIMUM OF 4.5 kg/m. POSTS SHALL BE POSITIONED SO THAT THE BOTTOM BLADE IS 2.1m ABOVE GRADE.
  - POSTS FOR END OF ROADWAY SIGN TO BE 2.44m LONG AND INSTALLED A MINIMUM OF 1.2m FROM ROADWAY TO BOTTOM OF SIGN.
  - SIGN BLANKS FOR TRAFFIC CONTROL SIGNS: SIGN BLANKS SHALL BE FABRICATED FROM 2 ALUMINUM ALLOY 6063-T6 CONFORMING TO THE REQUIREMENTS OF SUBSECTION 1626 OF THE STANDARD SPECIFICATIONS.
  - SIGN BLADES FOR STREET NAME SIGNS: EXTRUDED ALUMINUM BLADES SHALL BE ALUMINUM ALLOY CONFORMING TO 6063-T6 OR 5052-H38 (ASTM SPECIFICATION B221, LATEST ISSUE). BLADES SHALL HAVE AN ALODINE OR PHOSPHATE ETCHED FINISH. BLADES SHALL HAVE SQUARE CORNERS AND NO HOLES.  
MINIMUM BLADE LENGTH SHALL BE 600mm. MAXIMUM BLADE LENGTH SHALL BE 1200mm. LENGTH VARIES BY INCREMENTS OF 150mm.  
BLADES BEARING THE STREET NAMES SHALL BE FIRMLY ATTACHED TO THE MOUNTING BRACKETS USING ALLEN-TYPE SET SCREWS. THE BLADES SHALL BE ORIENTED PARALLEL TO THE STREET.
  - MOUNTING BRACKETS FOR SIGNS: DIE-CAST ALUMINUM BRACKETS SHALL BE ALUMINUM ALLOY 360 HAVING A TENSILE STRENGTH OF 44,000 PSI. THE BRACKETS SHALL BE SMOOTHLY FINISHED FREE OF PITS, BURRS, AND FLAWS. EACH BRACKET SHALL BE TAPPED AND DRILLED FOR 8mm ZINC-PLATED ALLEN-TYPE SET SCREWS HAVING SELF-LOCKING SAW-TOOTH ENDS.
  - FASTENERS: ALL STEEL FASTENERS FOR TRAFFIC CONTROL SIGNS SHALL BE GALVANIZED AND SHALL CONFORM TO THE REQUIREMENTS OF SUBSECTION 1614 OF THE STANDARD SPECIFICATIONS.
  - REFLECTIVE SHEETING: REFLECTIVE SHEETING SHALL BE TYPE II - HIGH PERFORMANCE CLASS HA IN ACCORDANCE WITH SUBSECTION 2201 OF THE STANDARD SPECIFICATIONS.
  - PROCESS INK: ALL PROCESS INK SHALL CONFORM TO THE REQUIREMENTS OF SUBSECTION 2202 OF THE STANDARD SPECIFICATIONS.
  - DETAILS: REGULATORY AND WARNING SIGNS SHALL CONFORM TO THE DETAILS IN "STANDARD HIGHWAY SIGNS", FHWA, 1979.
  - DETAILS - SNS: THE REFLECTIVE SHEETING FOR THE 170mm STANDARD SIZE SNS IS TO BE THE HIGHWAY GREEN BACKGROUND WITH SILVER-WHITE #2 COPY WITH 100mm UPPER CASE AND LOWER CASE PRIMARY COPY AND SUFFIX COPY. BOTH SERIES "C".  
THE REFLECTIVE SHEETING FOR THE 230 METRO SIZE SNS IS TO BE THE HIGHWAY GREEN BACKGROUND WITH SILVER-WHITE #2 COPY WITH 130mm UPPER AND LOWER CASE PRIMARY COPY AND SUFFIX COPY, BOTH SERIES "C". THE CARDINAL DIRECTION CENTERED DIRECTLY BELOW THE BLOCK NUMBER SHALL BE AN UPPER CASE 100mm SERIES "C" LETTER. FACES TO TRIM TO A 215mm WIDTH. (SEE DETAIL B.)  
SHOP DRAWINGS OF LAYOUT FOR SNS SHALL BE SUBMITTED TO THE TRAFFIC ENGINEERING DIVISION OF THE CITY OF WICHITA FOR APPROVAL PRIOR TO FABRICATION. THE FINISHED SIGNS AS SUPPLIED SHALL BE OF GOOD APPEARANCE, FREE FROM RAGGED EDGES, CRACKS, SCALES OR BUSTERS AND SHALL BE CLEAN-CUT. SIGNS SHALL BE PACKED IN SUCH MANNER AS TO PREVENT DAMAGE OR DEFAACEMENT DURING SHIPMENT OR STORAGE.
  - PERMANENT TRAFFIC CONTROL AND SNS: PERMANENT TRAFFIC CONTROL AND SNS SHALL BE MEASURED AND PAID FOR AT THE LUMP SUM PRICE FOR SIGNING. THE PAYMENT AS SET FORTH ABOVE SHALL BE CONSIDERED FULL COMPENSATION FOR ALL EXCAVATION, BACKFILLING, POSTS, ANCHORS, FASTENERS, MATERIALS, LABOR, TOOLS AND INCIDENTALS NECESSARY TO COMPLETE THIS WORK.

**SIGNING DETAILS**

SRB 824 NORTH MAIN WICHITA KANSAS 67203		316-264-8000 FAX 264-5621 E-Mail: srbs@ksd.net	
SAVOY, RUGGLES & BOHM, P.A. ENGINEERING & SURVEYING			
PROJECT NUMBER			
DRAWN	DESIGN	REVIEW	DATE
CCW/JRA	COW		Dec. 13, 2000
UTILITY	SRB JOB		
	1218T		

88  
118