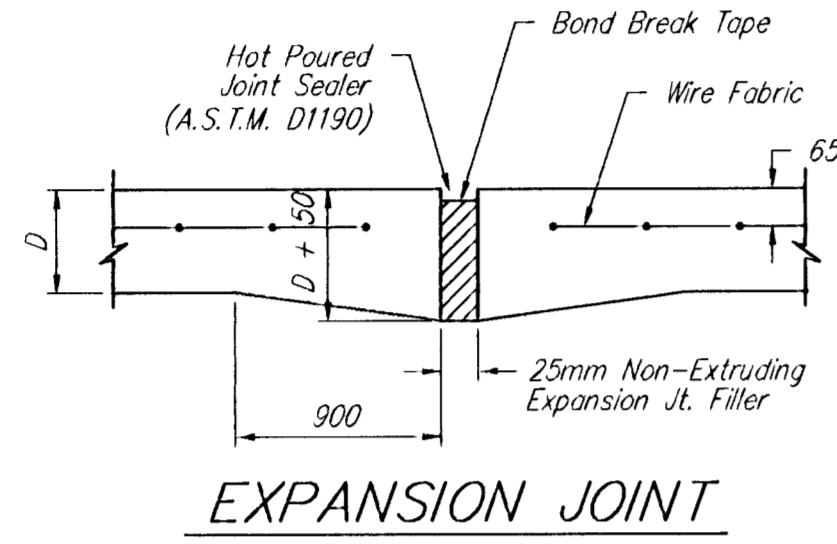
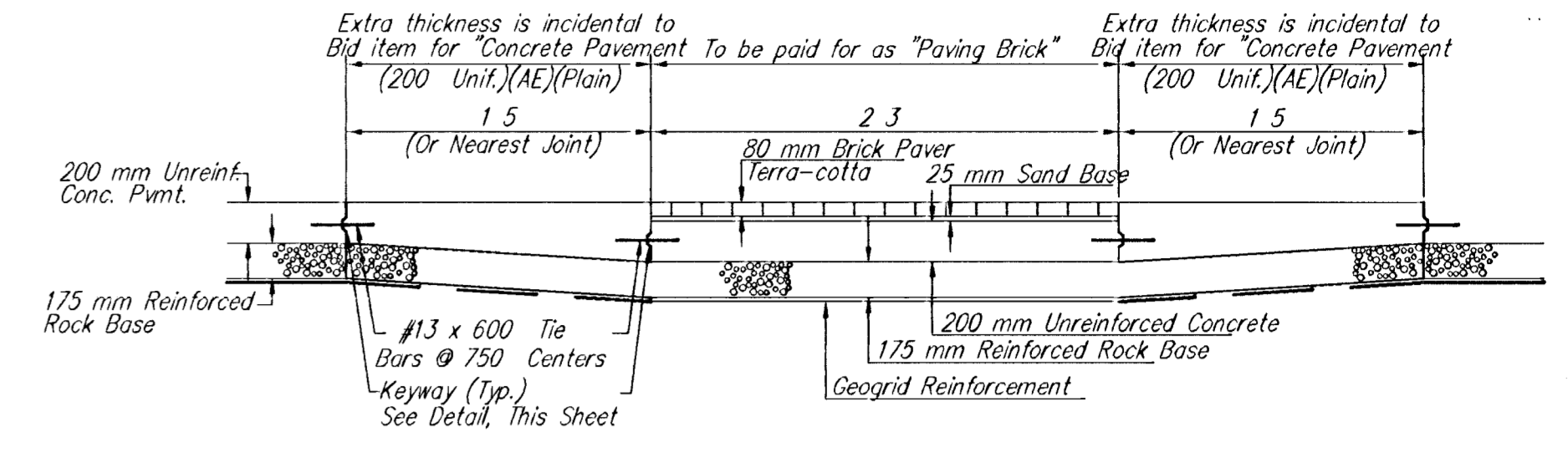
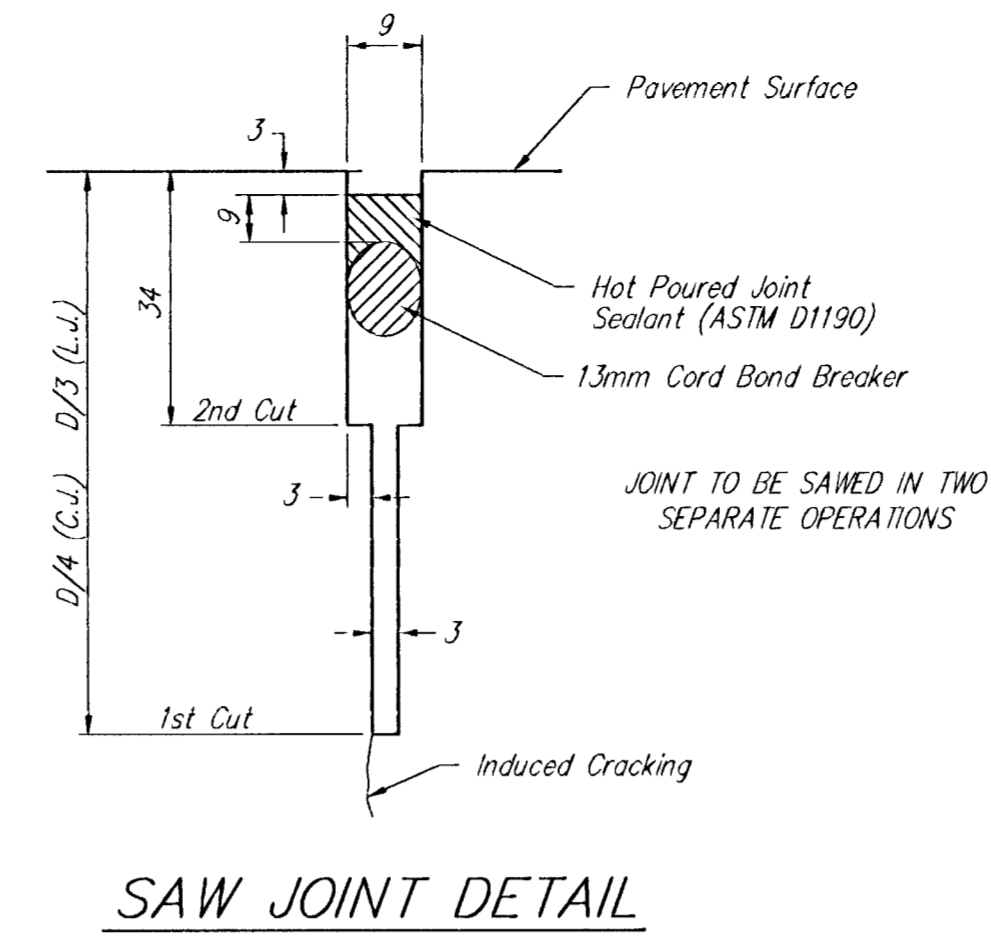
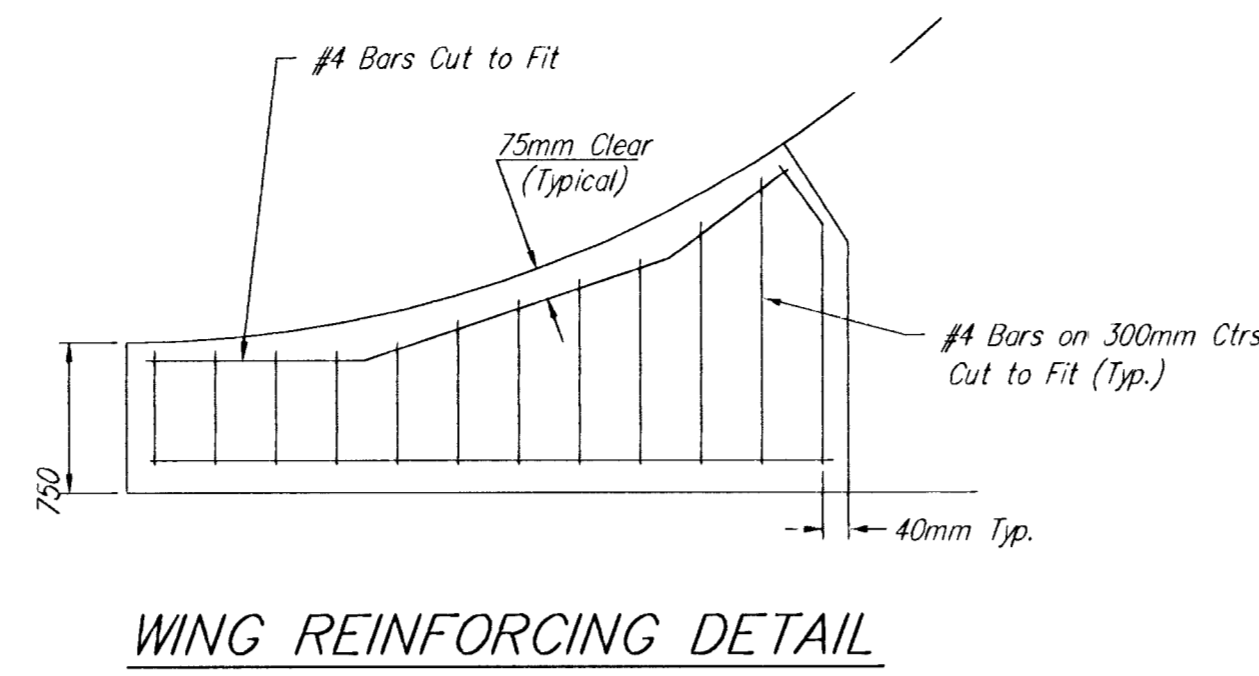
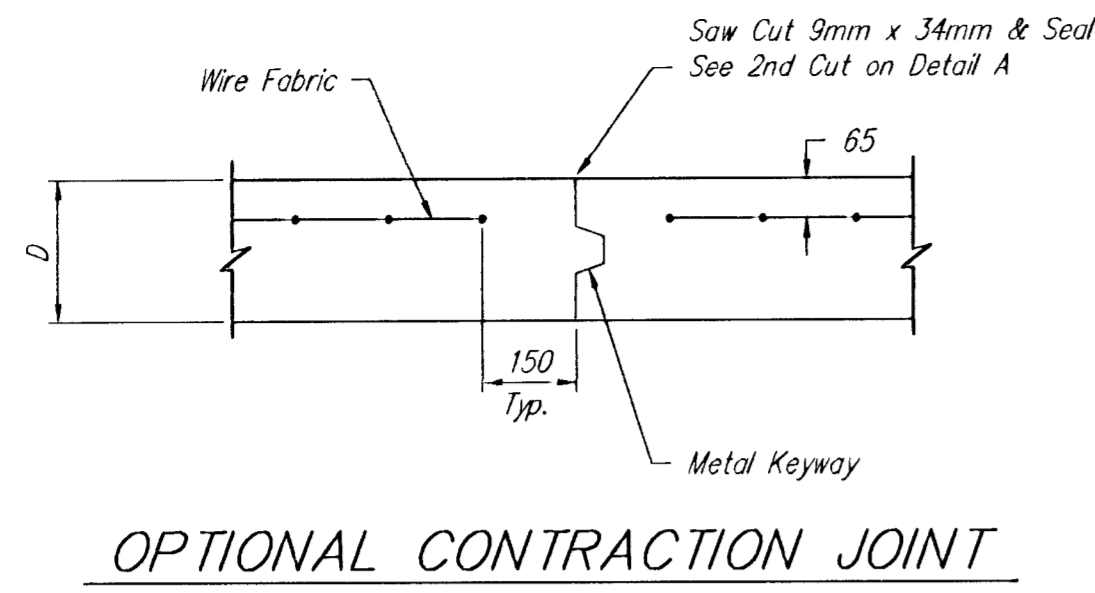
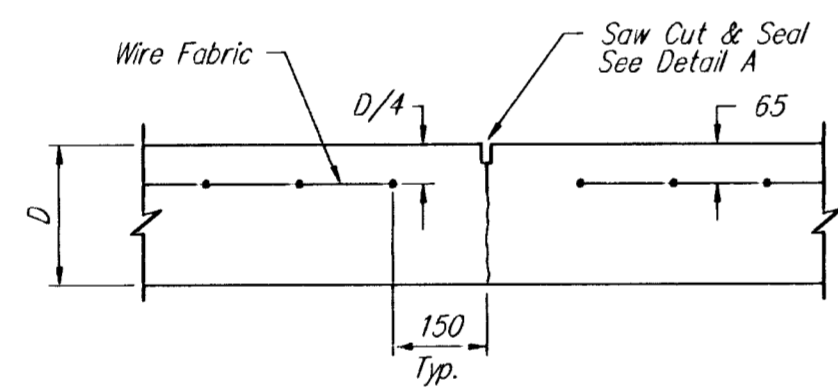
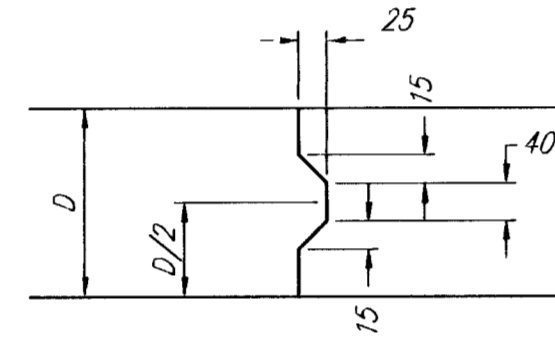


FHWA REGION NO.	STATE	PROJECT NUMBER	FISCAL YEAR	SHEET NUMBER	TOTAL SHEETS
7	KANSAS	87N-0195-01	2001	27	127

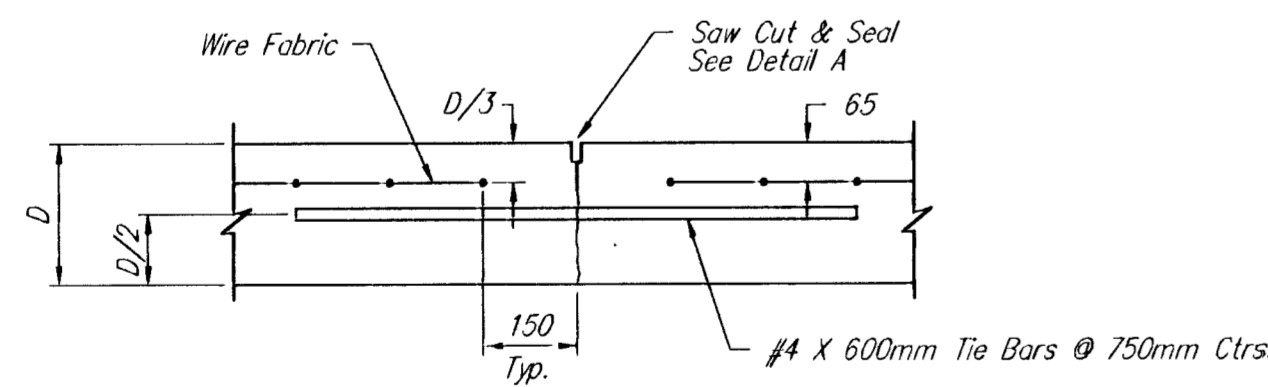
BY	DATE
REFERENCES NOTED	
REFERENCES CHECKED	



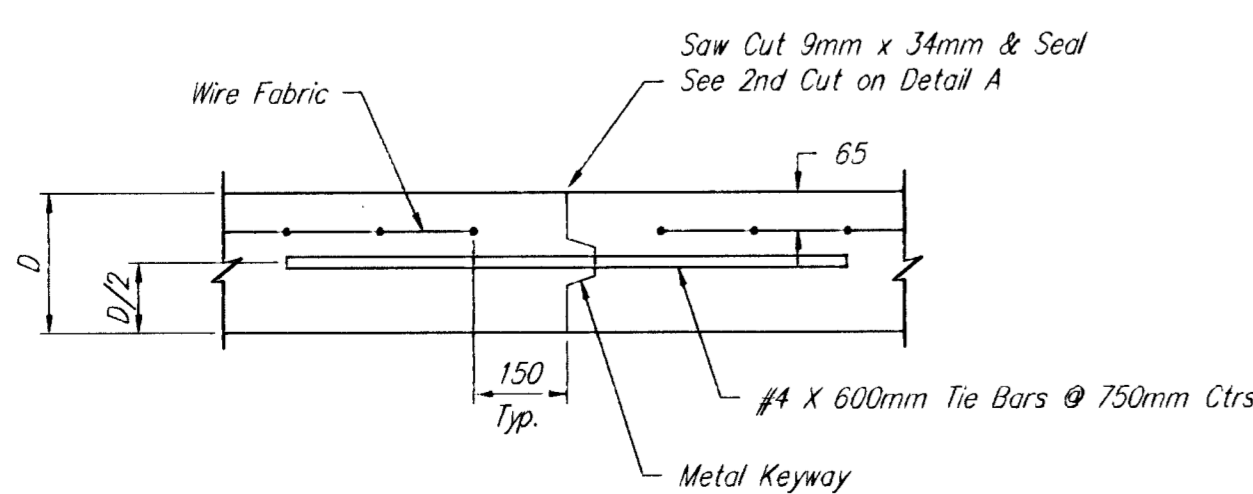
NOTE: Extra Thickness to be Subsidiary to Price of Square Meters Pavement



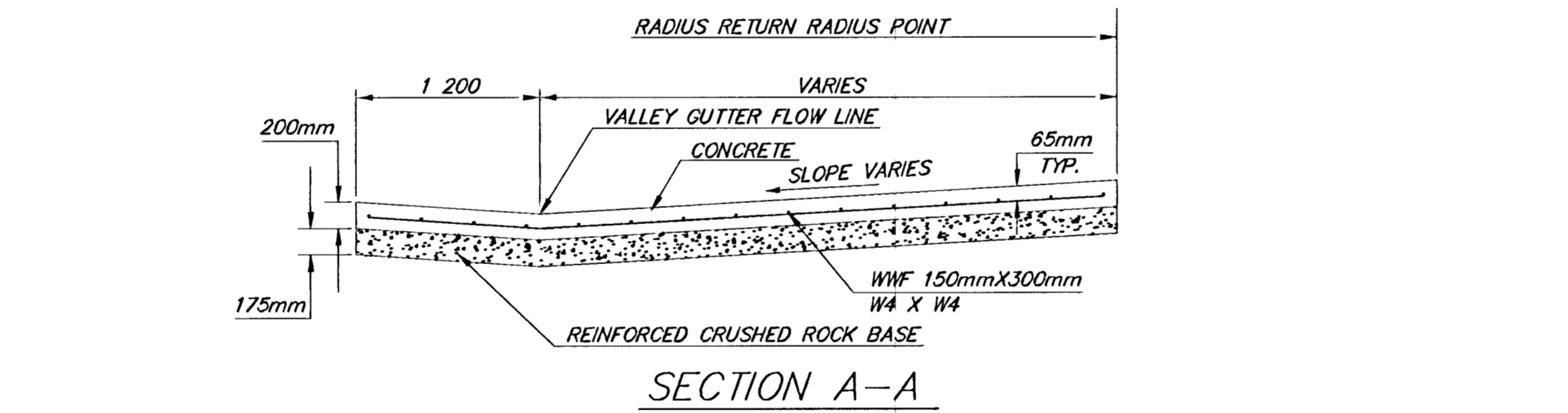
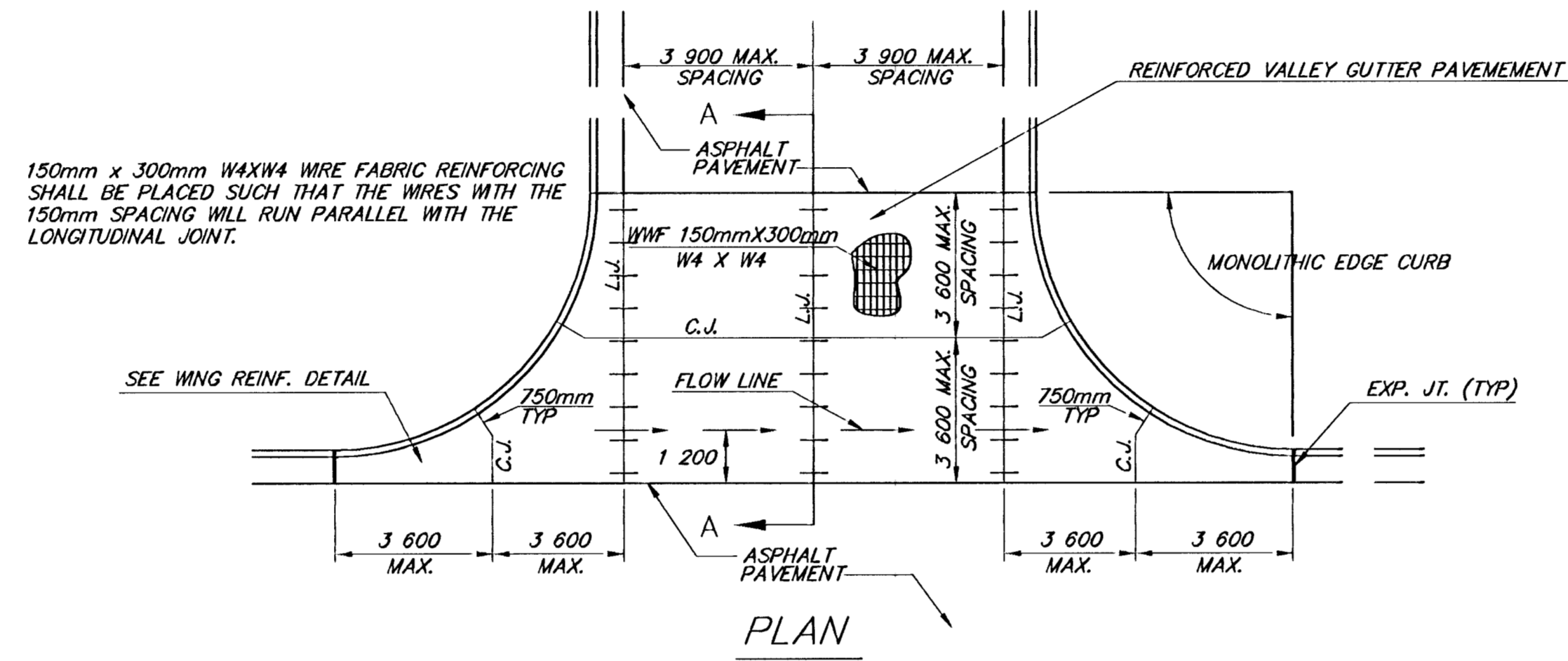
CONTRACTION JOINT DETAIL (C.J.)



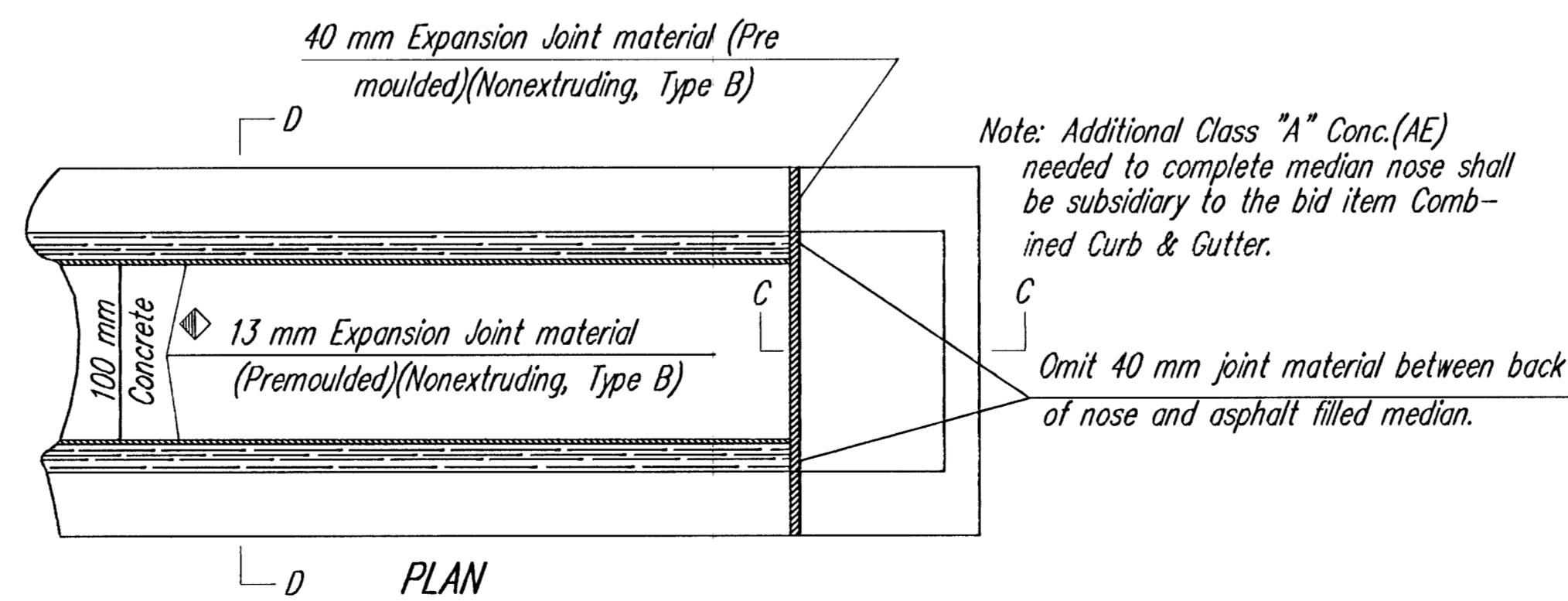
LONGITUDINAL JOINT DETAIL (L.J.)



OPTIONAL LONGITUDINAL JOINT DETAIL (L.J.)

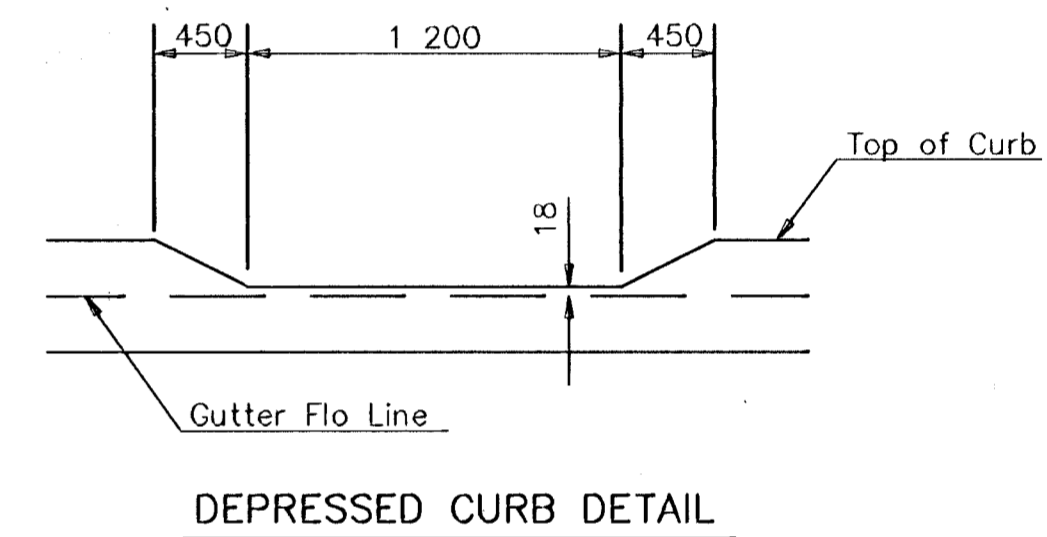
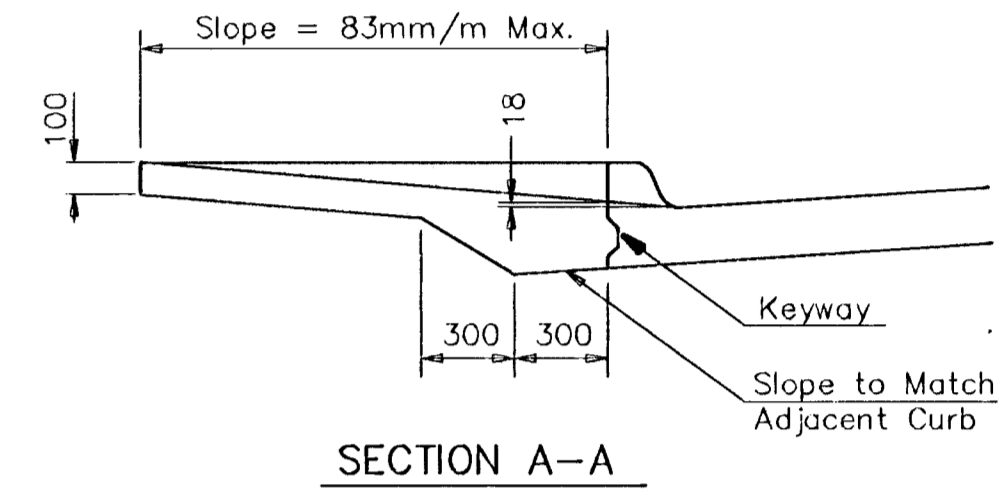
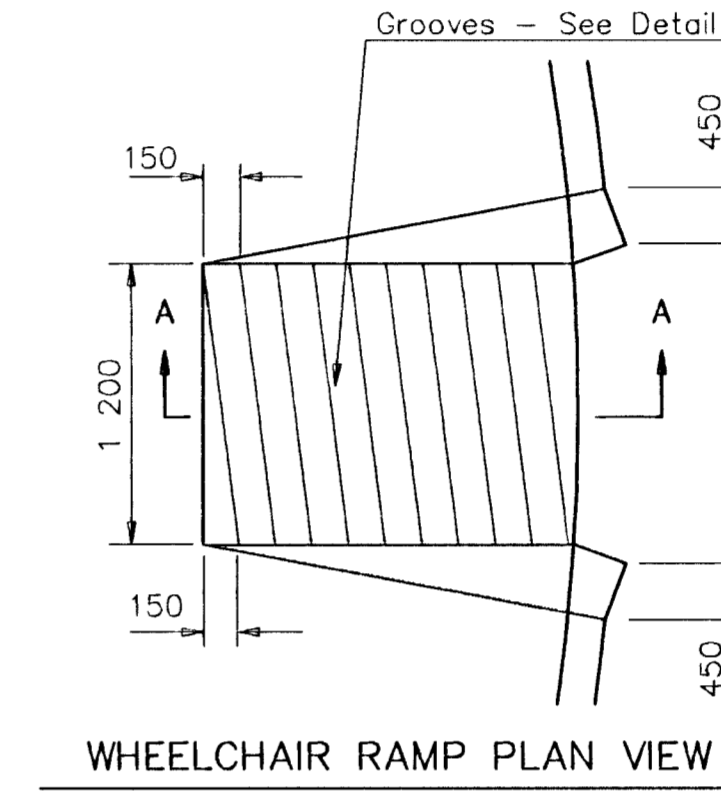


REINFORCED VALLEY GUTTER DETAIL



Note: Expansion joints shall be placed in concrete median as follows. In long runs expansion joints shall be 13 mm expansion joint material (Nonextruding, Type B) flush with the surface. Expansion joints in the median shall match expansion joints in the curb and gutter with a maximum spacing of 38 m. Plane of weakness in median shall match plane of weakness in curb & gutter.

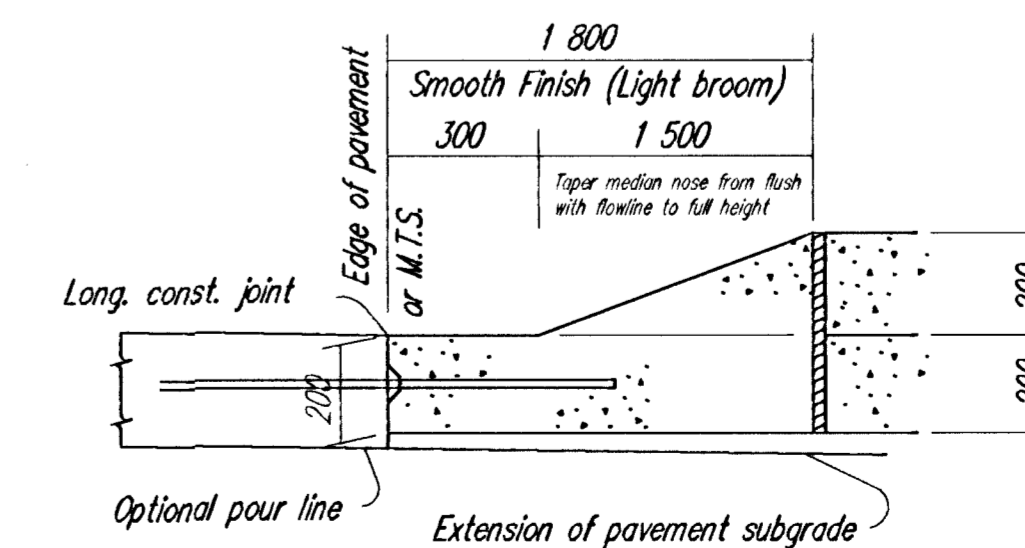
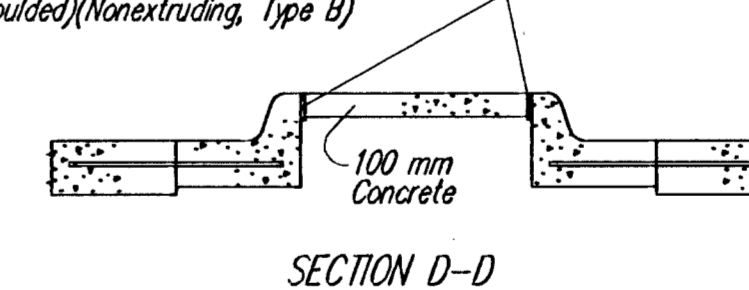
TYPICAL NOSE DETAILS FOR RAISED MEDIANS



WHEELCHAIR RAMP DETAIL

◆ Omit 13 mm Expansion joint material when asphalt is used in median.

◆ 13 mm Expansion Joint material (Pre moulded)(Nonextruding, Type B)



MEDIAN NOSE, VALLEY GUTTER AND WHEELCHAIR RAMP DETAILS				
SRB		224 NORTH MAIN		318-264-8008
SAVOY, RUGGLES & BOHM, P.A.		WICHITA, KANSAS 67203		FAX: 264-8021
ENGINEERING & SURVEYING		www.srb.com		E-Mail: urb@srbi.com
PROJECT NUMBER: 472-76-245-83262-000-001				
DESIGN	REVIEW	DATE	UTILITY	SHEET NO.
JDS	JDS	Sept. 6, 2001		1217T
				27
				127